

4

3

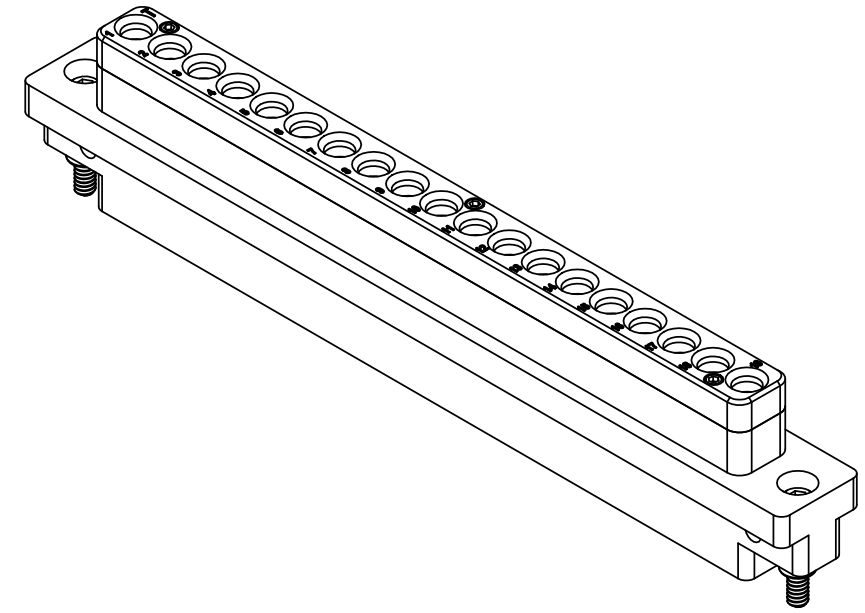
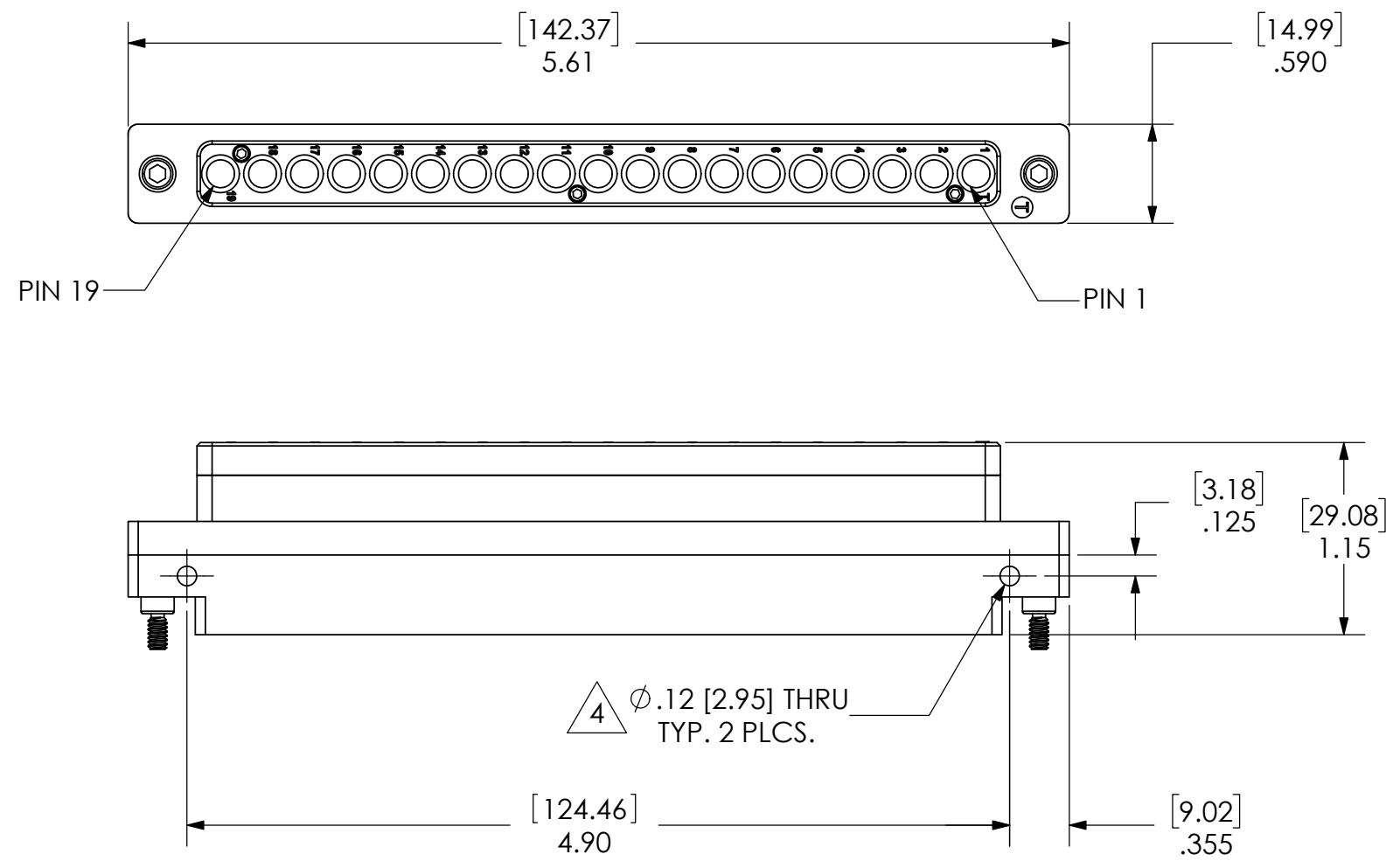
2

1

DO NOT SCALE DRAWING

THE INFORMATION CONTAINED HEREIN IS THE EXCLUSIVE PROPERTY OF VPC AND IS PERMITTED FOR USE BY THE CUSTOMER ONLY. THE DATA SHALL NOT BE DUPLICATED, USED, OR DISCLOSED IN WHOLE OR IN PART FOR ANY PURPOSE OTHER THAN TO MAINTAIN THE EQUIPMENT PROVIDED.

REV	DESCRIPTION	DATE	ENGINEER
K	ECN #14972	5/8/25	RF



4 CLEARANCE HOLES FOR USE WITH STRAIN RELIEF PLATE.
MAX TORQUE OF 4 IN-LBS [.452N-m]

3. MATING ITA MODULE - VPC PART # 510 108 111

2. STRAIN RELIEF - VPC PART # 510 109 116

1. FOR MORE INFORMATION, VISIT VPC.COM.

NOTES:

CUSTOMER DRAWING



**MINI COAX, MOD,
RCVR, 90s, 19 POS**

RELATIVE CONNECTOR POSITIONS AND WIRE ROUTING ARE GENERIC AND MAY VARY WITH PINOUT
DIMENSIONS ARE SHOWN AS:
[MILLIMETERS]
INCHES

DWG. NO.	REV	
510104120	K	
SCALE	CAGE CODE	SHEET
NONE	18117	1 OF 1

4

3

2

1