

4

3

2

1

DO NOT SCALE DRAWING

THE INFORMATION CONTAINED HEREIN IS THE EXCLUSIVE PROPERTY OF VPC AND IS PERMITTED FOR USE BY THE CUSTOMER ONLY. THE DATA SHALL NOT BE DUPLICATED, USED, OR DISCLOSED IN WHOLE OR IN PART FOR ANY PURPOSE OTHER THAN TO MAINTAIN THE EQUIPMENT PROVIDED.

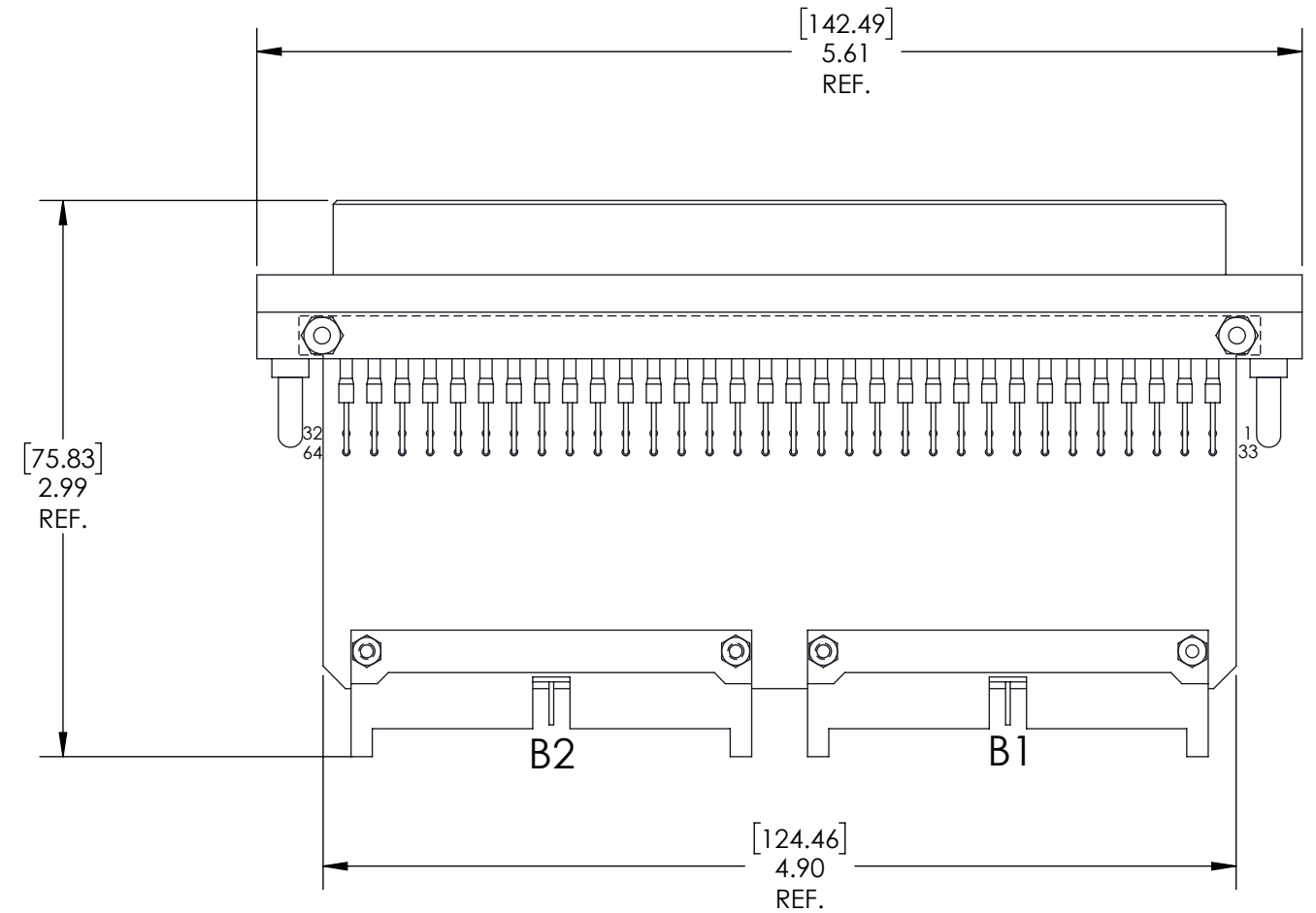
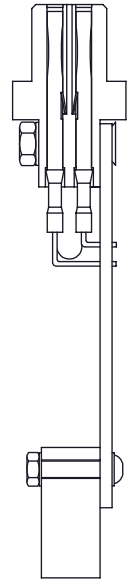
REV	DESCRIPTION	DATE	ENGINEER
G	ECN #15714	3/26/26	NBOODY

SIDE-1

SIDE-2

RCVR MODULE RIGHT ANGLE PIN NO.	B1 BERG CONN. PIN NO.
1	1
2	3
3	5
4	7
5	9
6	11
7	13
8	15
9	17
10	19
11	21
12	23
13	25
14	27
15	29
16	31
33	2
34	4
35	6
36	8
37	10
38	12
39	14
40	16
41	18
42	20
43	22
44	24
45	26
46	28
47	30
48	32

RCVR MODULE RIGHT ANGLE PIN NO.	B2 BERG CONN. PIN NO.
17	1
18	3
19	5
20	7
21	9
22	11
23	13
24	15
25	17
26	19
27	21
28	23
29	25
30	27
31	29
32	31
49	2
50	4
51	6
52	8
53	10
54	12
55	14
56	16
57	18
58	20
59	22
60	24
61	26
62	28
63	30
64	32



1. FOR MORE INFORMATION VISIT VPC.COM
NOTES:

DIMENSIONS ARE SHOWN AS:
[MILLIMETERS]
INCHES

CUSTOMER DRAWING

PCB ADAPTER, RECEIVER, TRIPADDLE, 64 POSITION, TO PCB-MOUNTED 2x34 PIN

DWG.NO. **510104128**

SCALE 1:1	CAGE CODE 18117	SHEET 1 OF 1
--------------	--------------------	-----------------

4

3

2

1