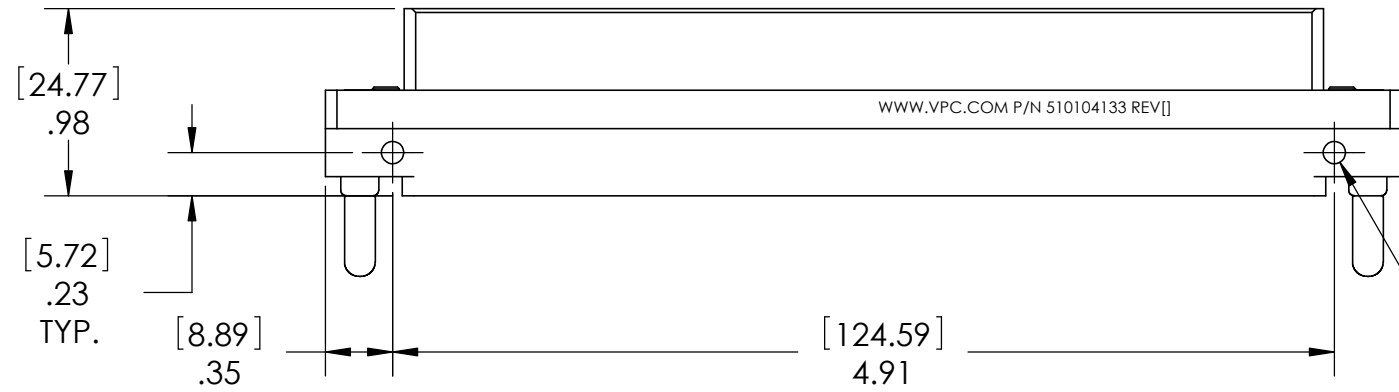
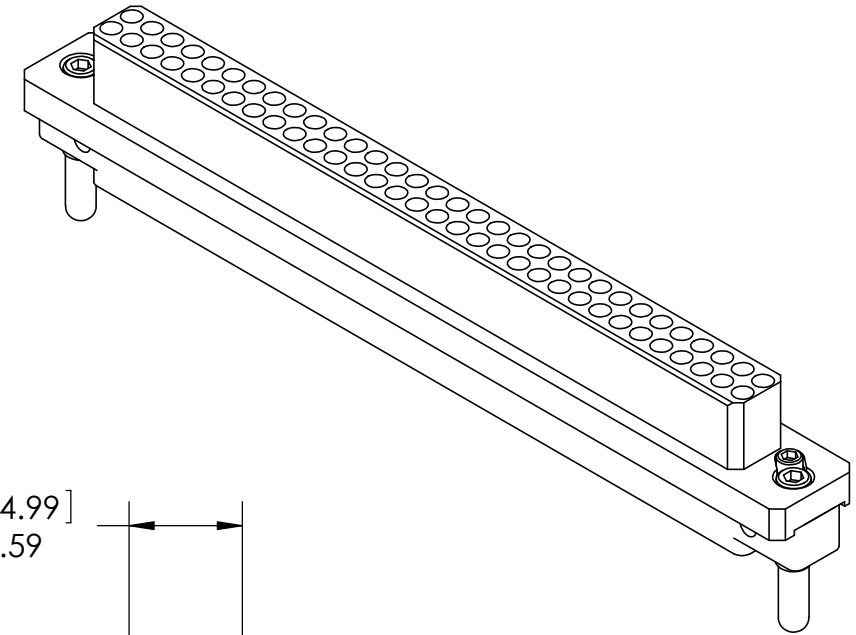
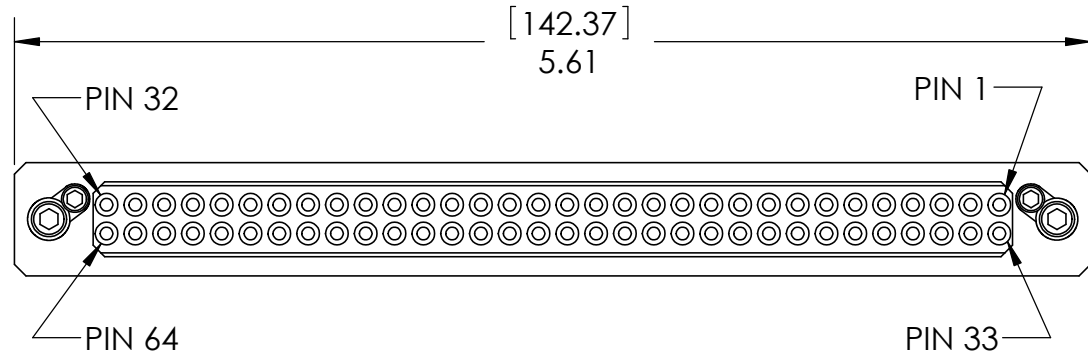


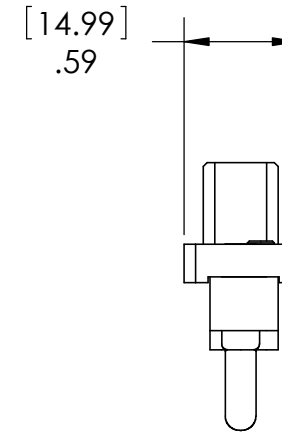
DO NOT SCALE DRAWING

THE INFORMATION CONTAINED HEREIN IS THE EXCLUSIVE PROPERTY OF VIRGINIA PANEL CORPORATION AND IS SUBMITTED FOR USE BY THE CUSTOMER ONLY. THE DATA SHALL NOT BE DUPLICATED, USED, OR DISCLOSED IN WHOLE OR IN PART FOR ANY PURPOSE OTHER THAN TO MAINTAIN THE EQUIPMENT PROVIDED. CONSULT WITH VIRGINIA PANEL CORPORATION ENGINEERING IF MORE DETAIL IS REQUIRED.

REVISIONS			
REV	DESCRIPTION	DATE	ENGR
E	ECN # 4677	6/17/13	L LOCKRIDGE



Ø.12 [2.95] THRU CLEARANCE FOR 4-40 SCREW TYP. 2 PLCS. 3



PART # 510 104 133

CUSTOMER DRAWING

VIRGINIA PANEL CORPORATION

WWW.VPC.COM

MOD. 90 SRS.
SPC. THERMOCOUPLE

3 CLEARANCE HOLES FOR USE WITH STRAIN RELIEF PLATE. MAX TORQUE OF 4IN-LBS [.452N-m]

2. USE STRAIN RELIEF P/N 510 109 116.

1. FOR APPLICATION USE AND CARE INFORMATION CONSULT VPC USERS GUIDE @ WWW.VPC.COM

NOTES:

DIMENSIONS ARE SHOWN AS:
[MILLIMETERS]
INCHES

SIZE	CAGE CODE	DWG.NO.	REV
B	18117	345405000	E
SCALE: 1:1	345405000	8/16/91	SHEET 1 OF 1