

4

3

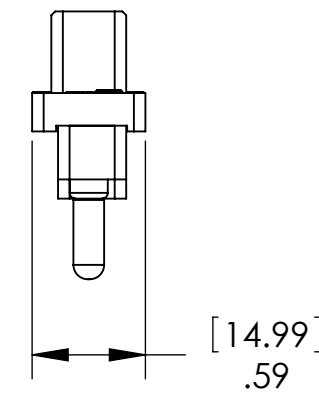
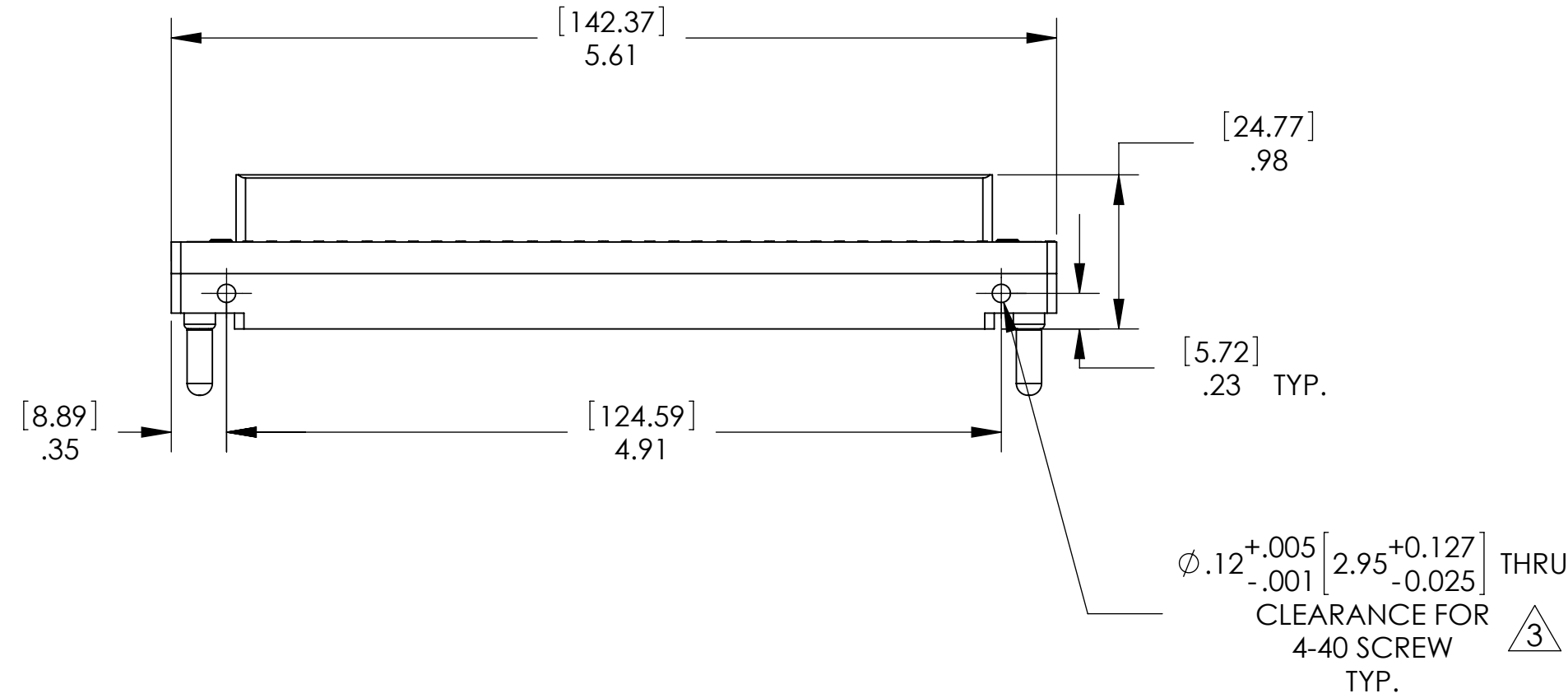
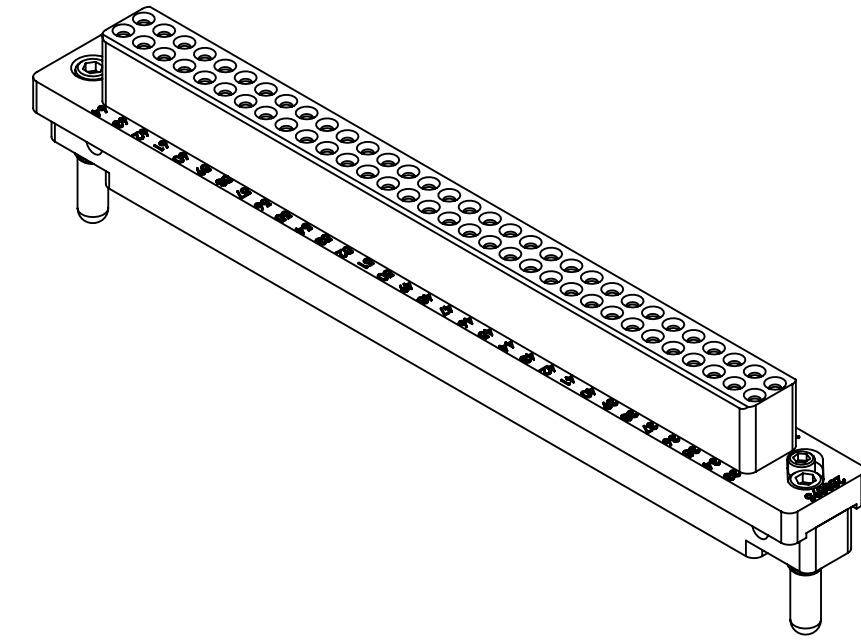
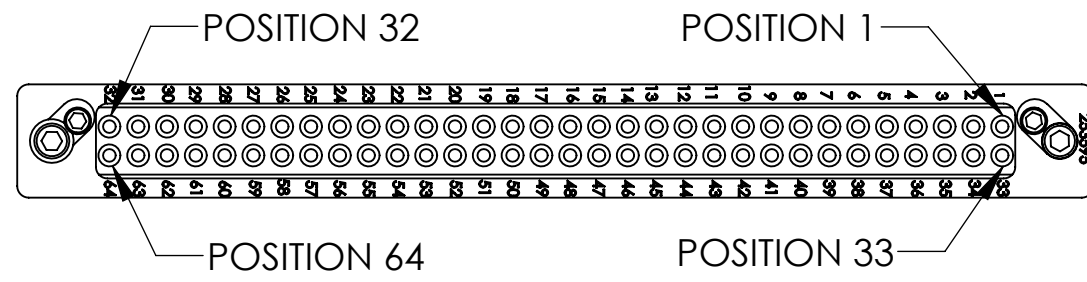
2

1

DO NOT SCALE DRAWING

THE INFORMATION CONTAINED HEREIN IS THE EXCLUSIVE PROPERTY OF VIRGINIA PANEL CORPORATION AND IS SUBMITTED FOR USE BY THE CUSTOMER ONLY. THE DATA SHALL NOT BE DUPLICATED, USED, OR DISCLOSED IN WHOLE OR IN PART FOR ANY PURPOSE OTHER THAN TO MAINTAIN THE EQUIPMENT PROVIDED. CONSULT WITH VIRGINIA PANEL CORPORATION ENGINEERING IF MORE DETAIL IS REQUIRED.

REVISIONS			
REV	DESCRIPTION	DATE	ENGR
M	ECN #6804	6/7/16	S MARSHALL



510104134

$\triangle 3$ CLEARANCE HOLES FOR USE WITH STRAIN RELIEF PLATE.
MAX TORQUE OF 4 IN-LBS [.452N-m]

2. USES STRAIN RELIEF P/N 510 109 116.

1. FOR MORE INFORMATION CONSULT VPC.COM.

NOTES:

RELATIVE CONNECTOR POSITIONS AND WIRE ROUTING ARE GENERIC AND MAY VARY WITH PINOUT			
DIMENSIONS ARE SHOWN AS:	SIZE	CAGE CODE	DWG. NO.
[MILLIMETERS]	C	18117	345404000
INCHES			REV M
SCALE: 1:1	345404000	11/1/91	SHEET 1 OF 1

4

3

2

1

CUSTOMER DRAWING
VIRGINIA PANEL CORPORATION
TRIPADDLE RCV MOD 64 POS