

4

3

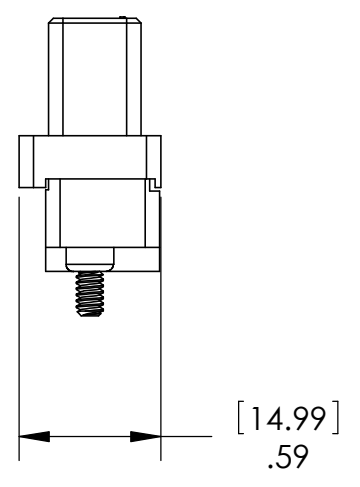
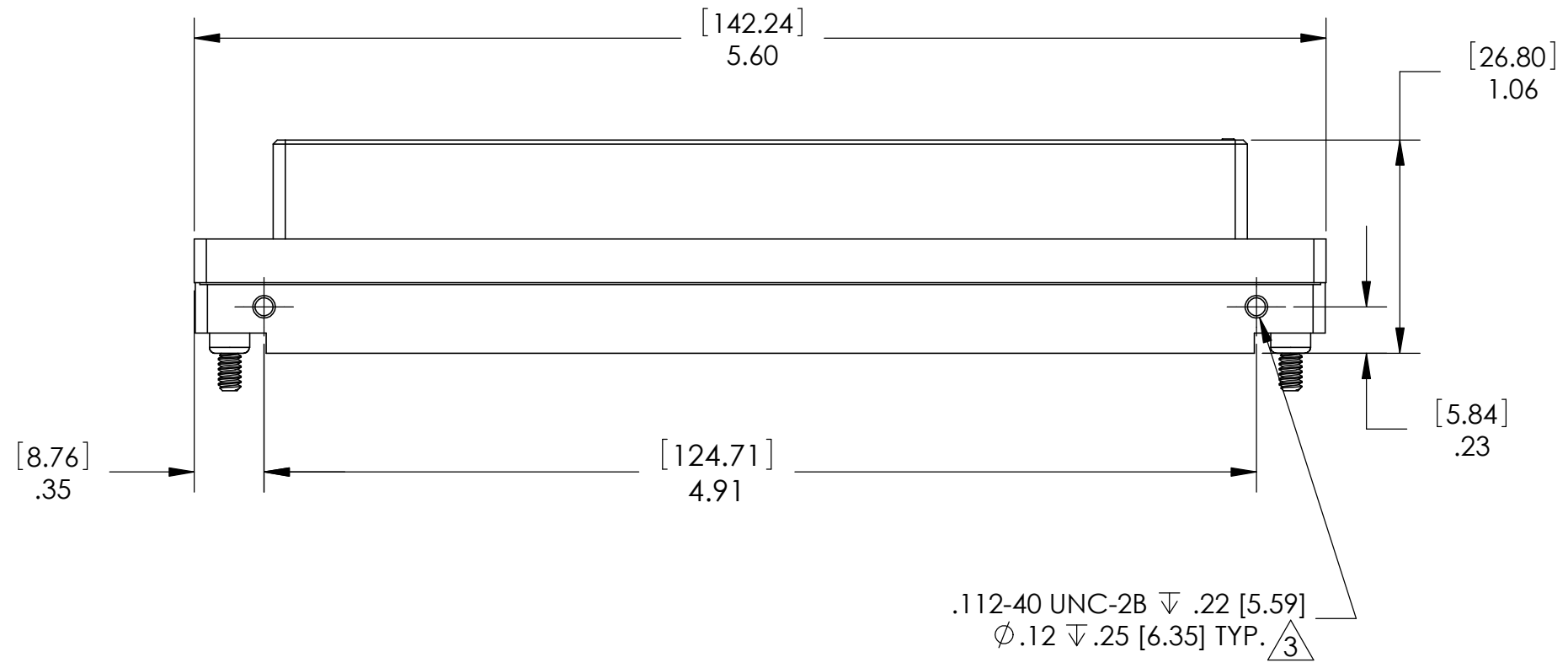
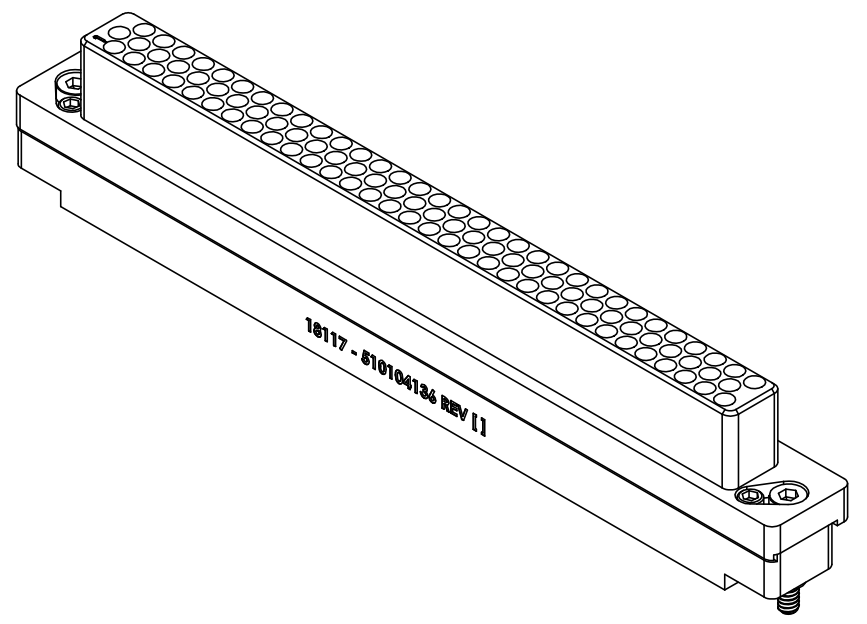
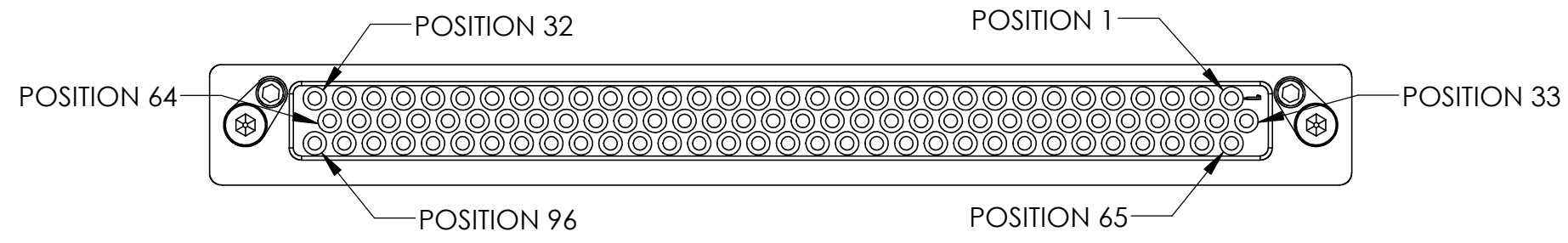
2

1

DO NOT SCALE DRAWING

THE INFORMATION CONTAINED HEREIN IS THE EXCLUSIVE PROPERTY OF VPC AND IS PERMITTED FOR USE BY THE CUSTOMER ONLY. THE DATA SHALL NOT BE DUPLICATED, USED, OR DISCLOSED IN WHOLE OR IN PART FOR ANY PURPOSE OTHER THAN TO MAINTAIN THE EQUIPMENT PROVIDED.

REV	DESCRIPTION	DATE	ENGINEER
M	ECN #13119	1/16/2023	R GARMAN



\triangle HOLES FOR USE WITH STRAIN RELIEF PLATE. MAX TORQUE IS 3.5 IN-LBS [.395 N-m]
 2. USE WITH STRAIN RELIEF P/N 510 109 116
 1. FOR MORE INFORMATION VISIT VPC.COM
 NOTES:

CUSTOMER DRAWING

VPC Virginia Panel Corporation

Signal Module,
Receiver, TriPaddle,
96 Position

DWG.NO.	REV	
510104136	M	
SCALE	CAGE CODE	SHEET
1:1	18117	1 OF 1

DIMENSIONS ARE SHOWN AS:
[MILLIMETERS]
INCHES

4

3

2

1