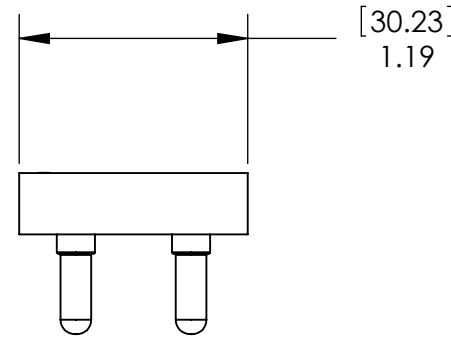
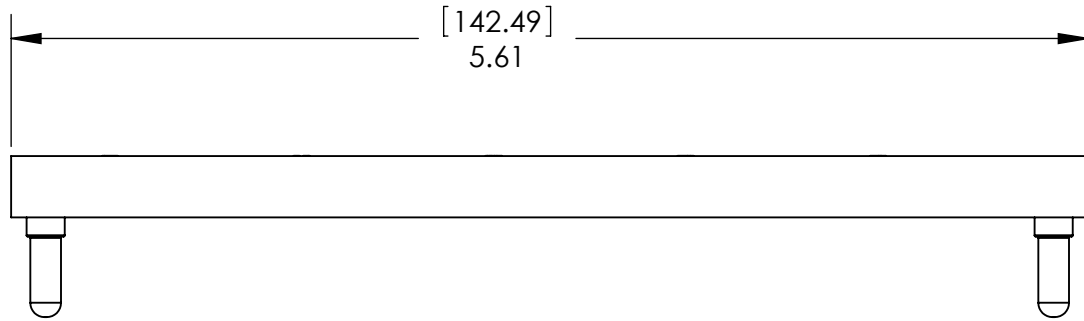
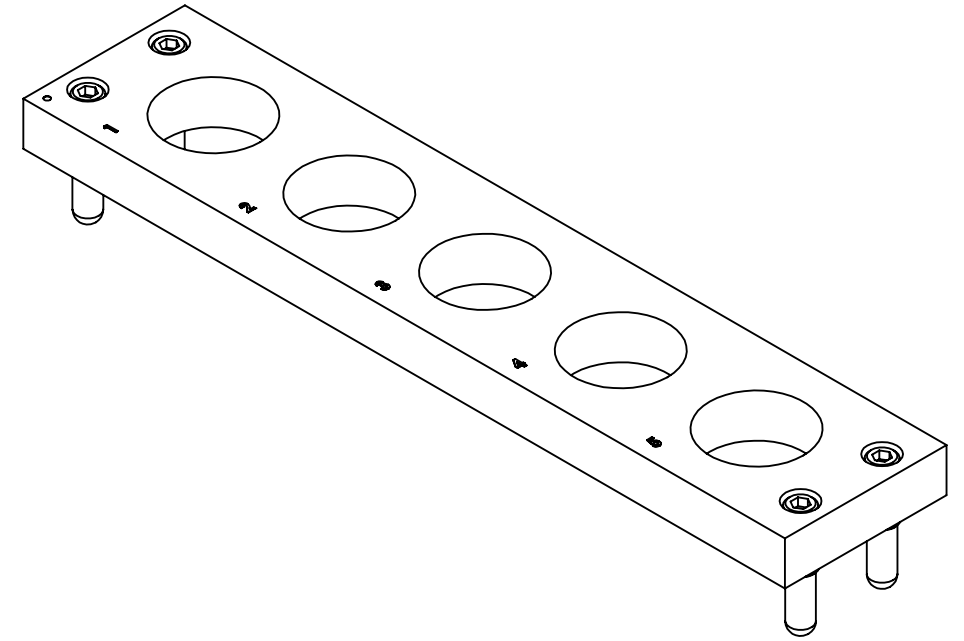
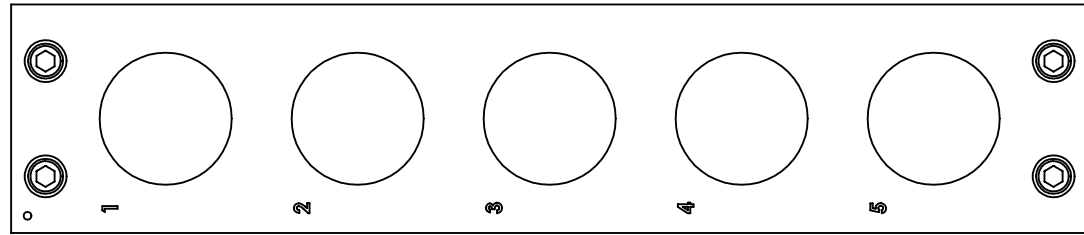


DO NOT SCALE DRAWING

THE INFORMATION CONTAINED HEREIN IS THE EXCLUSIVE PROPERTY OF VPC AND IS PERMITTED FOR USE BY THE CUSTOMER ONLY. THE DATA SHALL NOT BE DUPLICATED, USED, OR DISCLOSED IN WHOLE OR IN PART FOR ANY PURPOSE OTHER THAN TO MAINTAIN THE EQUIPMENT PROVIDED. CONSULT WITH VIRGINIA PANEL CORPORATION ENGINEERING IF MORE DETAIL IS REQUIRED.

REVISIONS			
REV	DESCRIPTION	DATE	ENGR
D	ECN #15714	3/26/26	NBOODY



CUSTOMER DRAWING

VIRGINIA PANEL CORPORATION
WWW.VPC.COM

**PNEUMATIC MODULE, RECEIVER
5 POSITION (3/8" ID)**

NOTES:
1. FOR MORE INFORMATION, VISIT VPC.COM.

DIMENSIONS ARE SHOWN AS:		SIZE	CAGE CODE	DWG.NO.	REV
[MILLIMETERS]		B	18117	510104160	D
INCHES		SCALE:NONE	510104160	7/8/97	SHEET 1 OF 1