

4

3

2

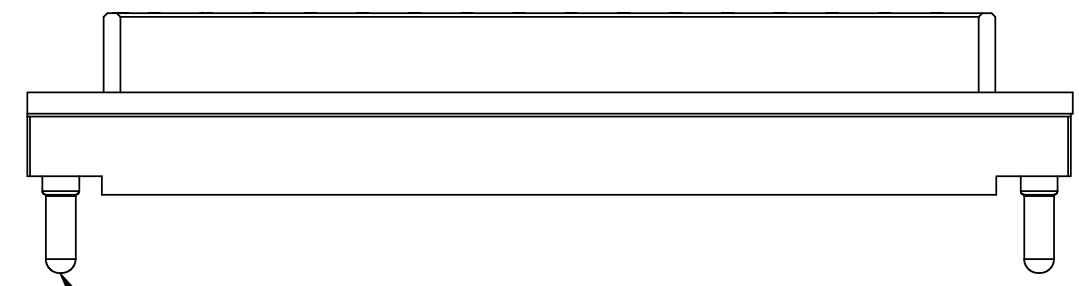
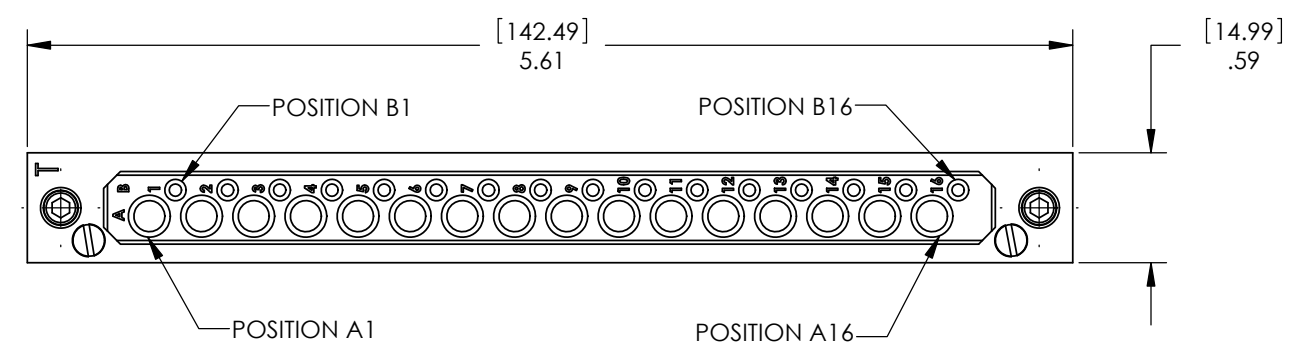
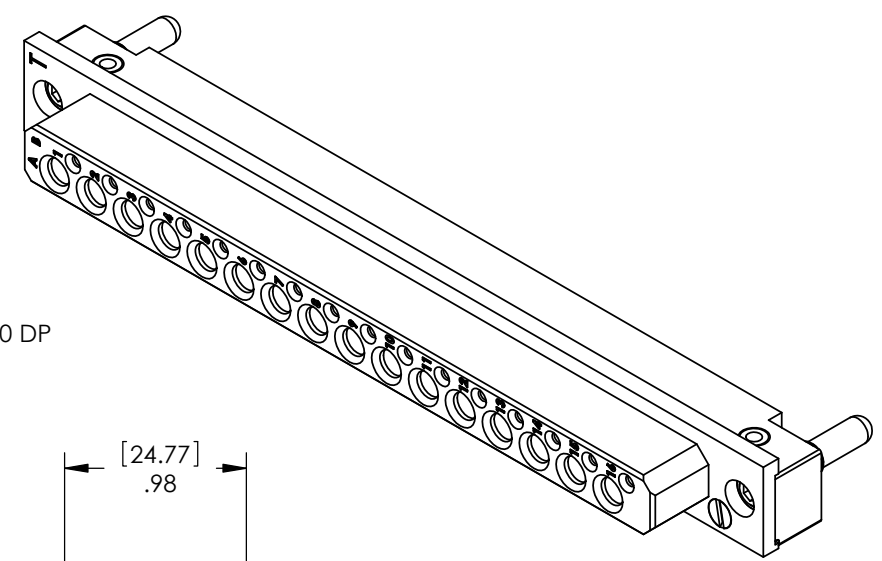
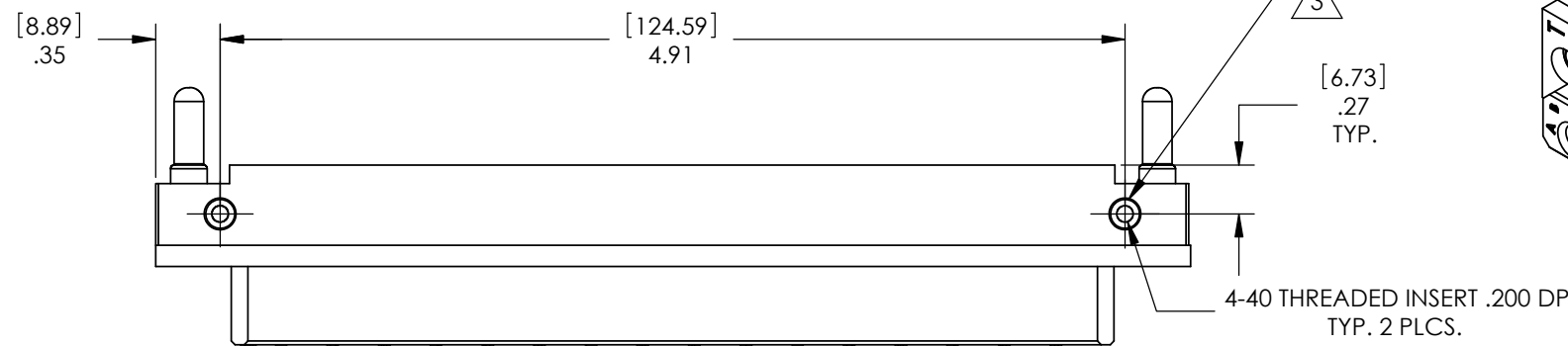
1

DO NOT SCALE DRAWING

THE INFORMATION CONTAINED HEREIN IS THE EXCLUSIVE PROPERTY OF VPC AND IS PERMITTED FOR USE BY THE CUSTOMER ONLY. THE DATA SHALL NOT BE DUPLICATED, USED, OR DISCLOSED IN WHOLE OR IN PART FOR ANY PURPOSE OTHER THAN TO MAINTAIN THE EQUIPMENT PROVIDED. CONSULT WITH VPC ENGINEERING IF MORE DETAIL IS REQUIRED.

REVISIONS

REV	DESCRIPTION	DATE	ENGR
M	ECN #14960	5/2/25	RF



REMOVE AND DISCARD CAPS PRIOR TO INSTALLING MODULE INTO RECEIVER

3 THREADED INSERTS FOR USE WITH STRAIN RELIEF PLATE. MAX TORQUE IS 3.5 IN-LBS [.395 N-m]

2. MATING ITA MODULE PART # 510 108 178  
STRAIN RELIEF PART # 510 109 116

1. FOR MORE INFORMATION, VISIT VPC.COM.  
NOTES:

CUSTOMER DRAWING

VIRGINIA PANEL CORPORATION  
WWW.VPC.COM

TRIPADDLE SIGNAL/MINI POWER MODULE  
RECEIVER, 16/16 POSITIONS

DIMENSIONS ARE SHOWN AS:  
[MILLIMETERS]  
INCHES

SIZE	CAGE CODE	DWG. NO.	REV
C	18117	510104206	M
SCALE:	NONE	510104206	9/25/97
SHEET		1 OF 1	

4

3

2

1