

4

3

2

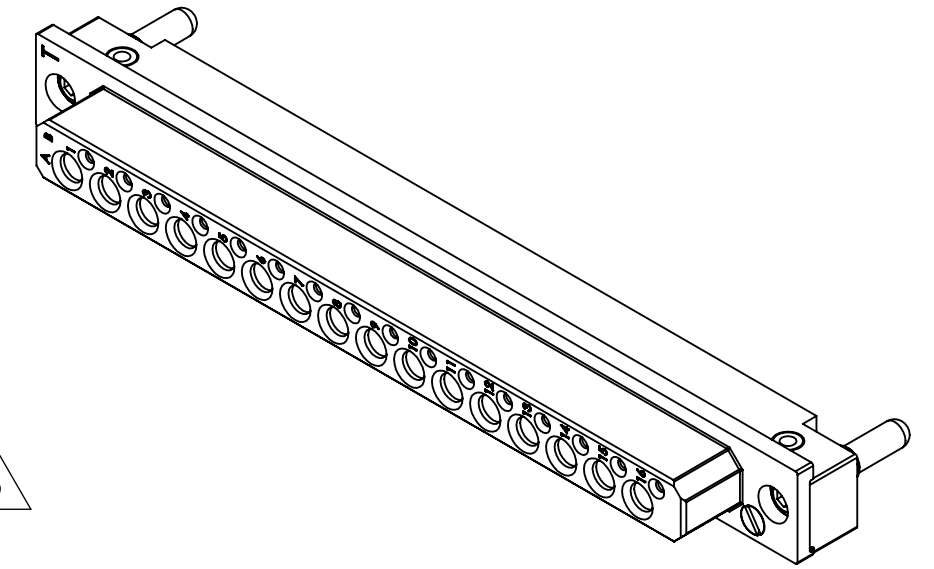
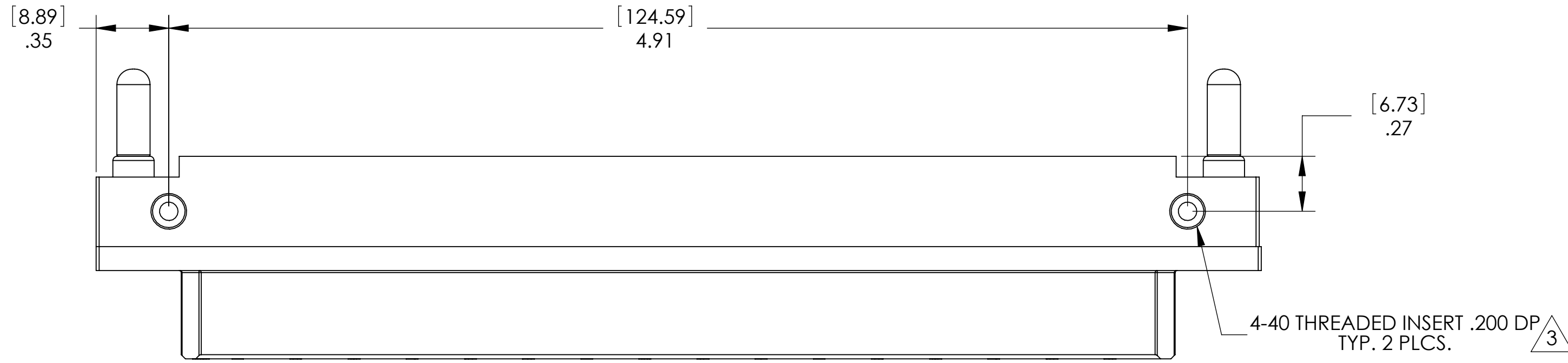
1

DO NOT SCALE DRAWING

THE INFORMATION CONTAINED HEREIN IS THE EXCLUSIVE PROPERTY OF VPC AND IS PERMITTED FOR USE BY THE CUSTOMER ONLY. THE DATA SHALL NOT BE DUPLICATED, USED, OR DISCLOSED IN WHOLE OR IN PART FOR ANY PURPOSE OTHER THAN TO MAINTAIN THE EQUIPMENT PROVIDED. CONSULT WITH VPC ENGINEERING IF MORE DETAIL IS REQUIRED.

REVISIONS

REV	DESCRIPTION	DATE	ENGR
N	ECN #15785	4/30/26	S MARSHALL

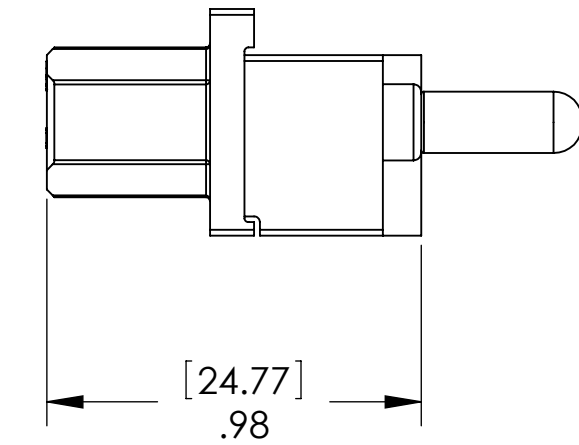
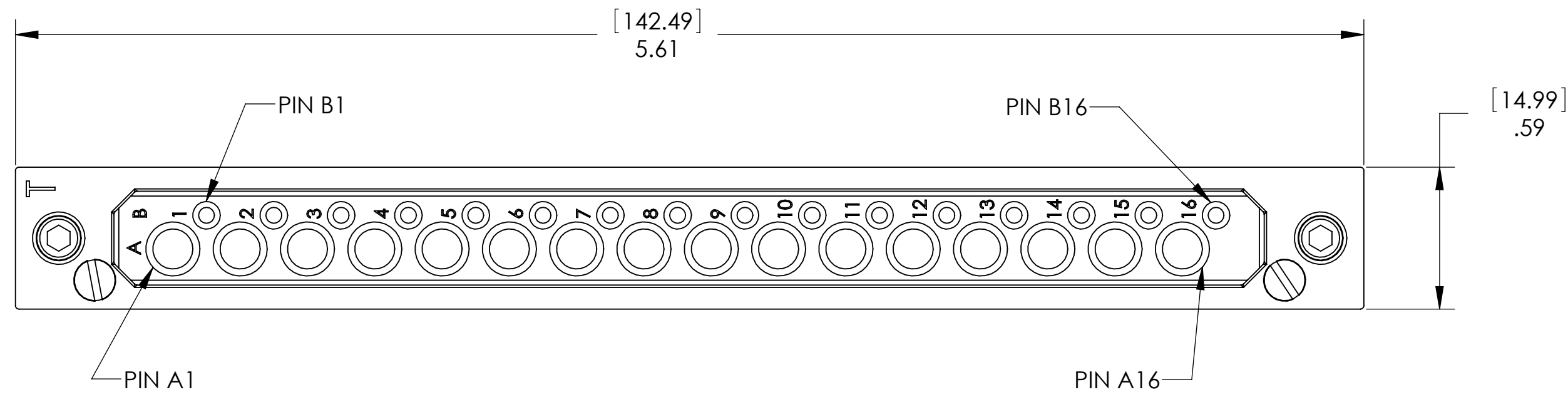


D

D

C

C

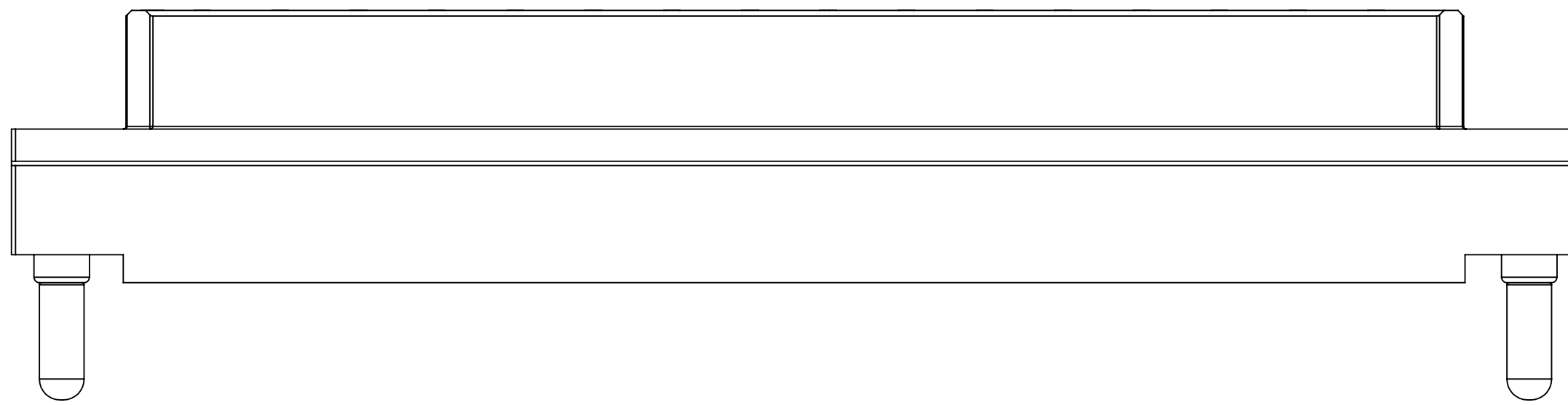


B

B

B

B



A

A

3 THREADED INSERTS FOR USE WITH STRAIN RELIEF PLATE. MAX TORQUE IS 3.5 IN-LBS [.395 N-m]

2. MATING ITA MODULE PART # 510 108 210

1. FOR MORE INFORMATION, VISIT VPC.COM.

NOTES:

CUSTOMER DRAWING

VIRGINIA PANEL CORPORATION
WWW.VPC.COM

MOD RCV 90SRS 16/16 SIG/CX

DIMENSIONS ARE SHOWN AS:	SIZE	CAGE CODE	DWG. NO.	REV
[MILLIMETERS]	C	18117	510104243	N
INCHES	SCALE: 1:1	510104243	9/26/97	SHEET 1 OF 1

4

3

2

1