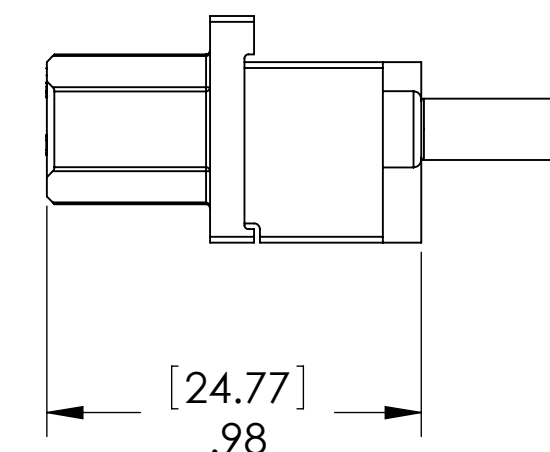
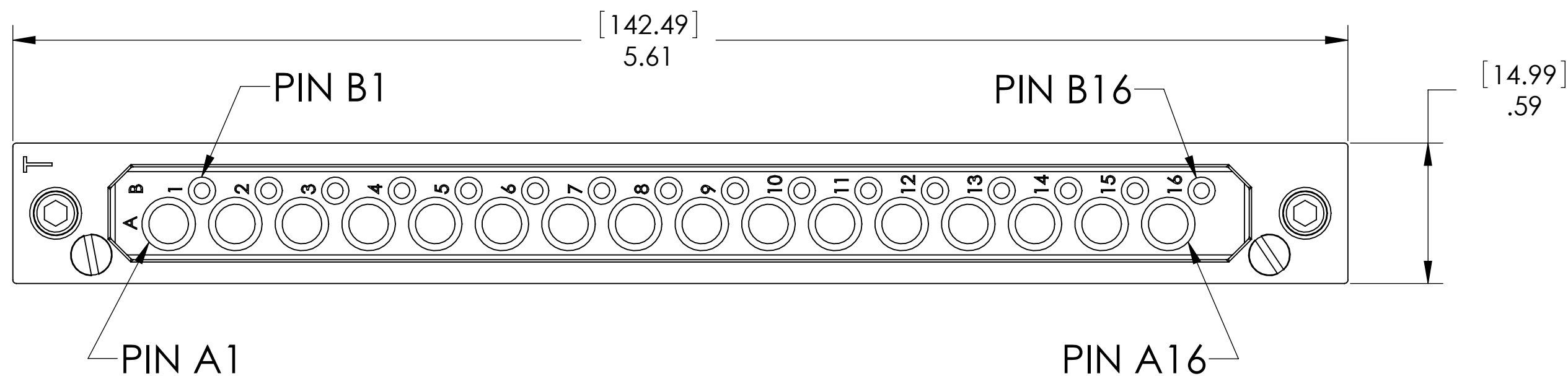
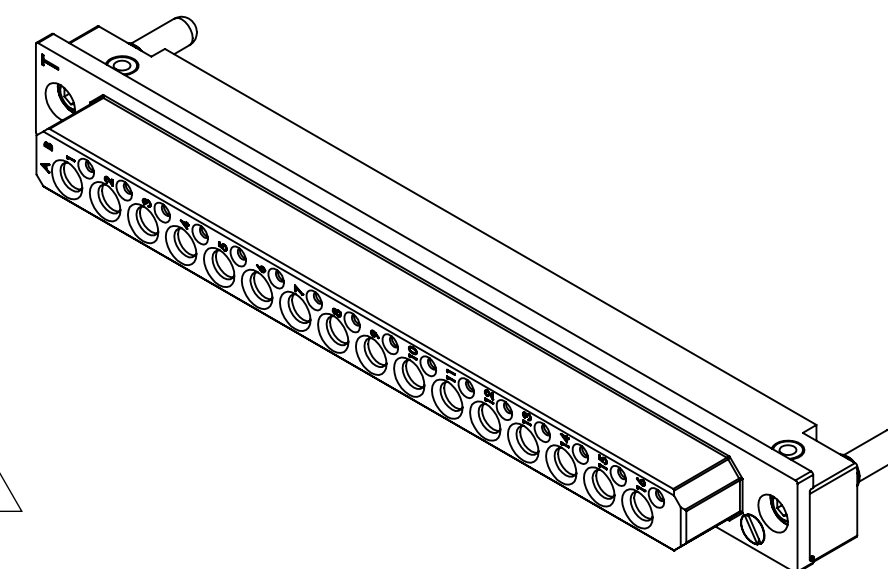
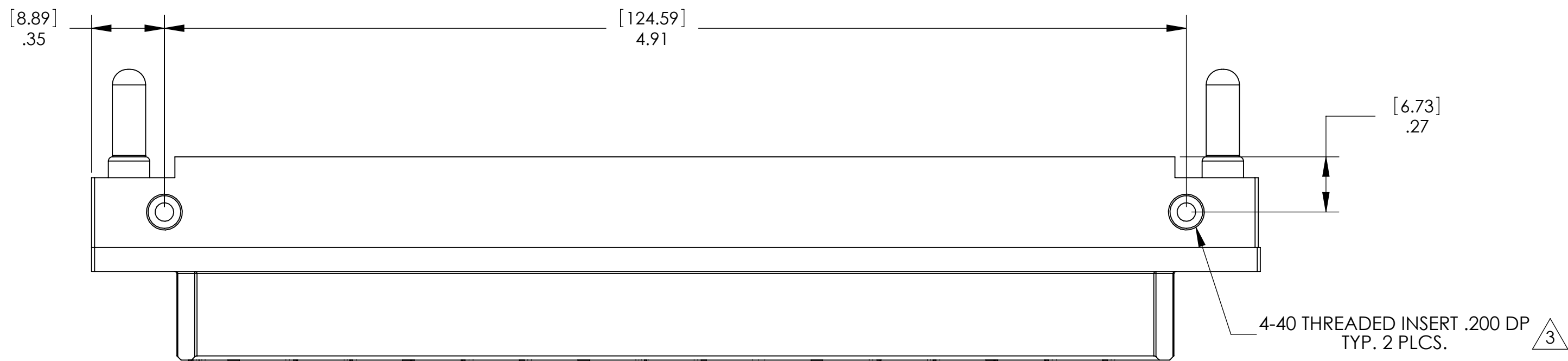


DO NOT SCALE DRAWING

THE INFORMATION CONTAINED HEREIN IS THE EXCLUSIVE PROPERTY OF VIRGINIA PANEL CORPORATION AND IS SUBMITTED FOR USE BY THE CUSTOMER ONLY. THE DATA SHALL NOT BE DUPLICATED, USED, OR DISCLOSED IN WHOLE OR IN PART FOR ANY PURPOSE OTHER THAN TO MAINTAIN THE EQUIPMENT PROVIDED. CONSULT WITH VIRGINIA PANEL CORPORATION ENGINEERING IF MORE DETAIL IS REQUIRED.

REVISIONS			
REV	DESCRIPTION	DATE	ENGR
J	ECN #5425	8/13/14	M SNOW



WWW.VPC.COM 510104243 REV. [ ]

3 THREADED INSERTS FOR USE WITH STRAIN RELIEF PLATE. MAX TORQUE IS 3.5 IN-LBS [.395 N-m]

2. MATING ITA MODULE PART # 510 108 210

1. FOR APPLICATION USE & CARE INFORMATION CONSULT VPC USERS GUIDE @WWW.VPC.COM

NOTES:

RELATIVE CONNECTOR POSITIONS AND WIRE ROUTING ARE GENERIC AND MAY VARY WITH PINOUT			
DIMENSIONS ARE SHOWN AS:	SIZE	CAGE CODE	DWG. NO.
[MILLIMETERS]	C	18117	510104243
INCHES	SCALE: 1:1	510104243	9/26/97 SHEET 1 OF 1

<b>CUSTOMER DRAWING</b>	
<b>VIRGINIA PANEL CORPORATION</b> WWW.VPC.COM	
MOD RCV 90SRS 16/16 SIG/CX - SCREENED	

REV	J
-----	---