

4

3

2

1

DO NOT SCALE DRAWING

THE INFORMATION CONTAINED HEREIN IS THE EXCLUSIVE PROPERTY OF VPC AND IS PERMITTED FOR USE BY THE CUSTOMER ONLY. THE DATA SHALL NOT BE DUPLICATED, USED, OR DISCLOSED IN WHOLE OR IN PART FOR ANY PURPOSE OTHER THAN TO MAINTAIN THE EQUIPMENT PROVIDED.

REV	DESCRIPTION	DATE	ENGINEER
E	ECN #15140	9/30/2025	J HARDIGREE

D

C

B

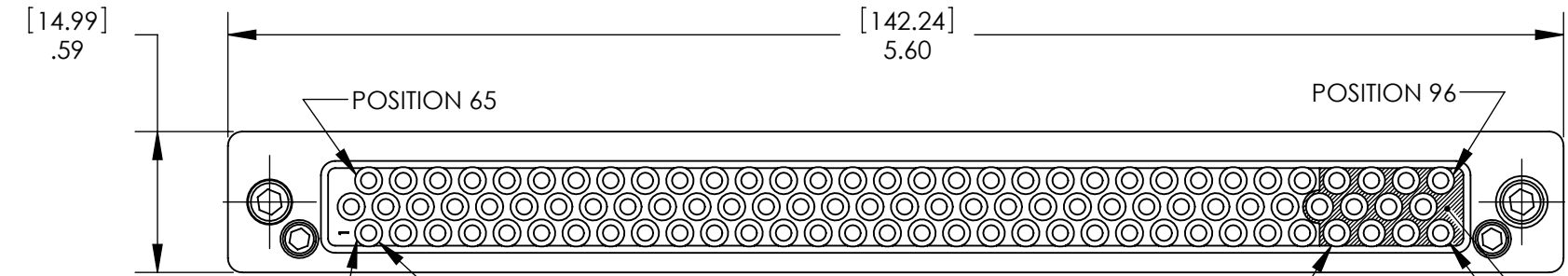
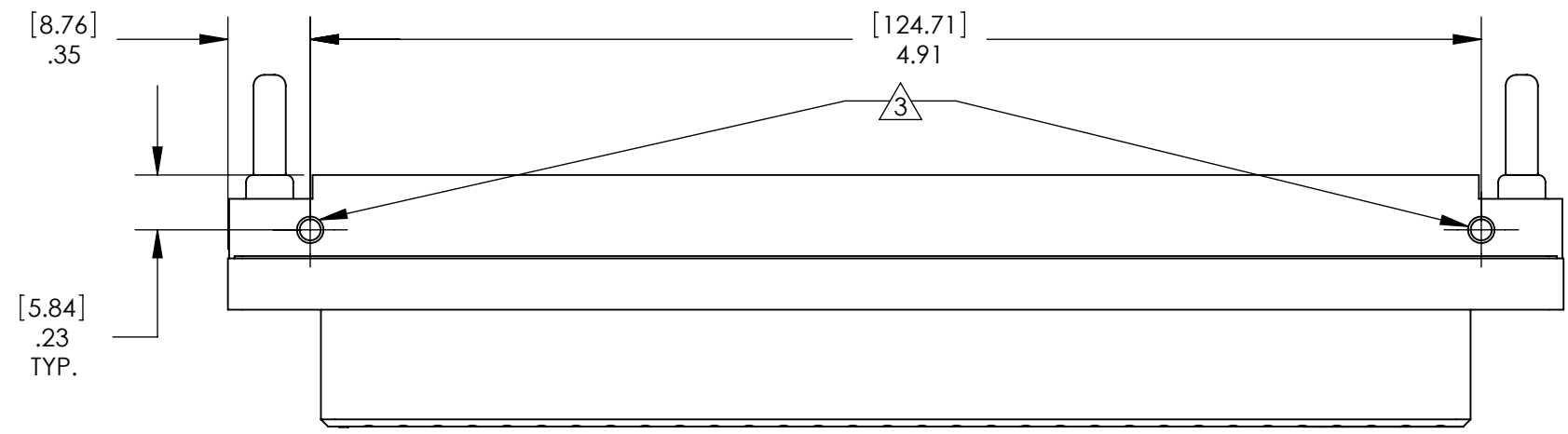
A

D

C

B

A



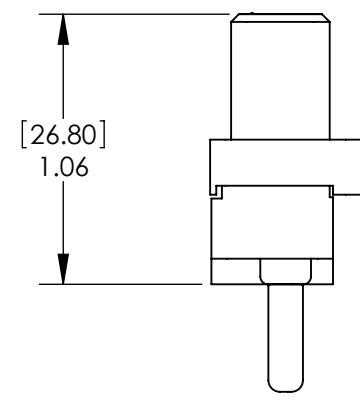
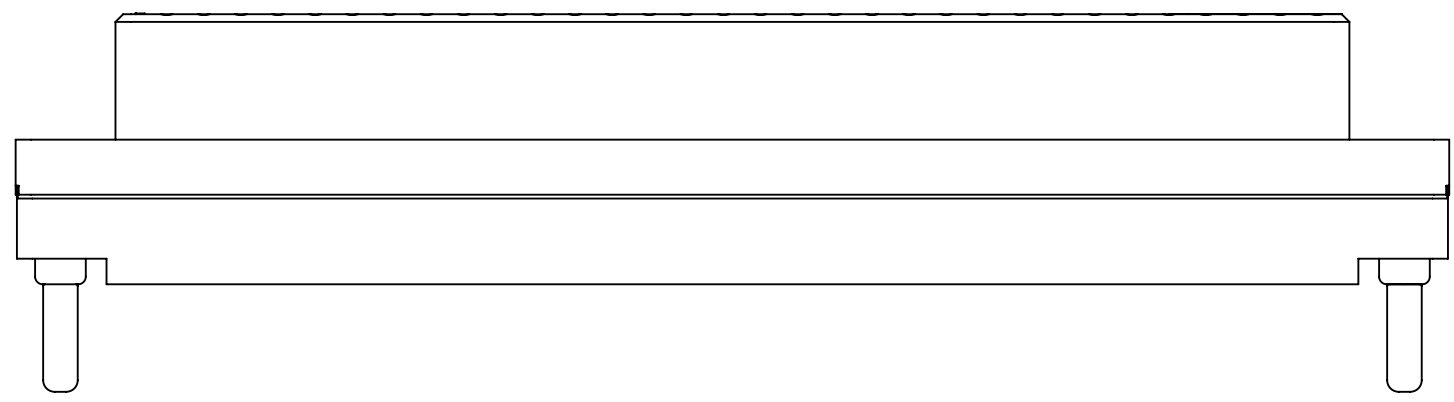
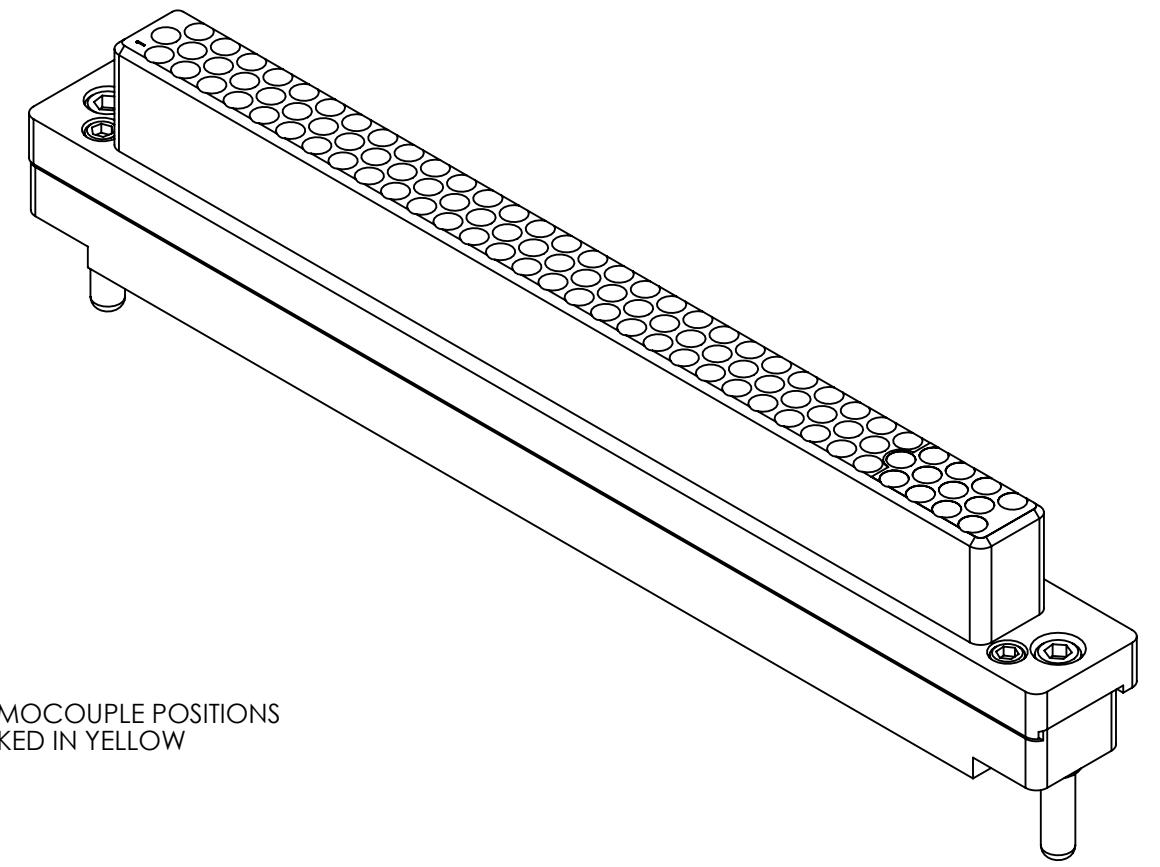
POSITION FOR SIGNAL CONTACTS. TYP 84 PLCS.

POSITION 1

POSITION FOR THERMOCOUPLE CONTACTS. TYP 12 PLCS.

POSITION 32

THERMOCOUPLE POSITIONS MARKED IN YELLOW



3 TAPPED HOLES FOR USE WITH STRAIN RELIEF PLATE. MAX TORQUE OF 3.5 IN-LBS [.395N-m]

2. MATING ITA MODULE: 510108245 STRAIN RELIEF PLATE: 510109116.

1. FOR MORE INFORMATION, VISIT VPC.COM.

NOTES:

CUSTOMER DRAWING



TRIPADDLE SIGNAL/ THERMOCOUPLE MODULE, RECEIVER, 84/12 POSITION

RELATIVE CONNECTOR POSITIONS AND WIRE ROUTING ARE GENERIC AND MAY VARY WITH PINOUT  
DIMENSIONS ARE SHOWN AS:  
[MILLIMETERS]  
INCHES

DWG. NO.	510104261	REV	E
SCALE	NONE	SHEET	1 OF 1
CAGE CODE	18117		

4

3

2

1