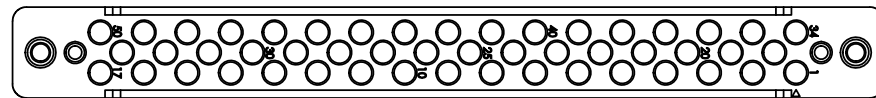
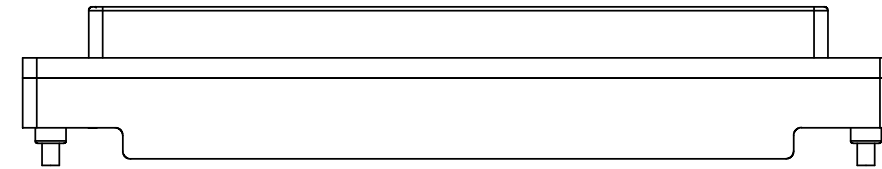
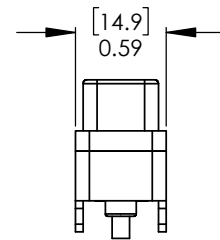
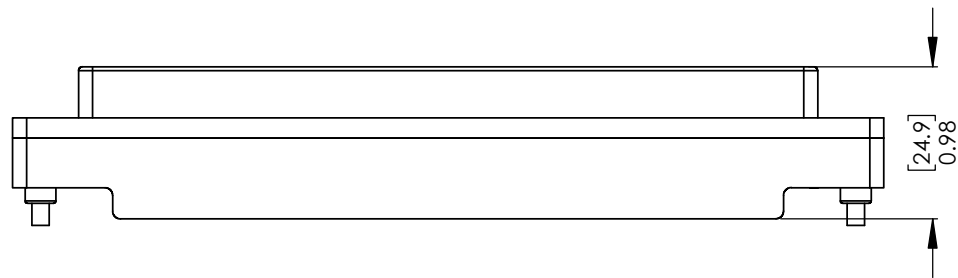
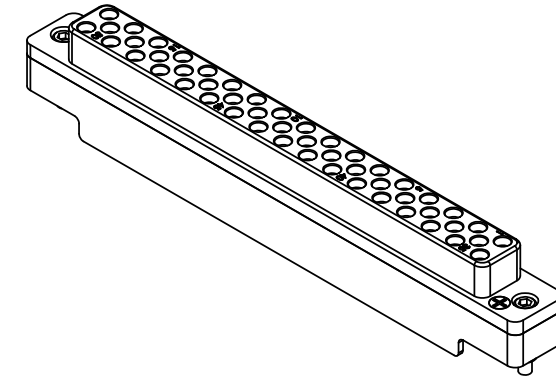
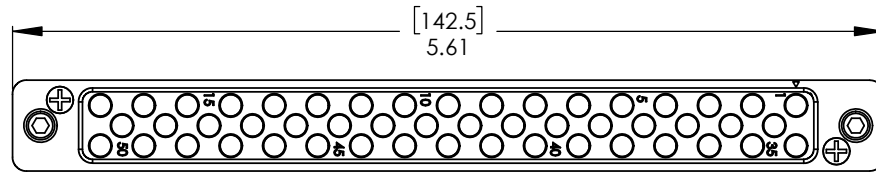


DO NOT SCALE DRAWING

THE INFORMATION CONTAINED HEREIN IS THE EXCLUSIVE PROPERTY OF VIRGINIA PANEL CORP. AND IS SUBMITTED FOR USE BY THE CUSTOMER ONLY. THE DATA SHALL NOT BE DUPLICATED, USED, OR DISCLOSED IN WHOLE OR IN PART FOR ANY PURPOSE OTHER THAN TO MAINTAIN THE EQUIPMENT PROVIDED. CONSULT WITH VIRGINIA PANEL CORPORATION ENGINEERING IF MORE DETAIL IS REQUIRED.

REVISIONS				
ZONE	REV	DESCRIPTION	DATE	APPROVED
	H	ECN # 14972	5/8/25	RF



2 USE WITH VPC CONTACTS P/N 610140101, 610140102, 610140103, 610140104, 610142101 & 610142102

1 FOR APPLICATION, USE & CARE INFORMATION CONSULT VPC USERS GUIDE @WWW.VPC.COM

NOTES:

**CUSTOMER DRAWING - CUSTOMER DRAWING**

SOLIDWORKS DRAWING FILE	DIMENSIONS ARE SHOWN AS:		SIGNATURES		DATE	<b>VIRGINIA PANEL CORPORATION</b> WWW.VPC.COM		
	(millimeters)		DR	B MYRICK	8/12/04			
	INCHES		CHK			MODULE, RECEIVER, 90 SERIES 50 POS, MICRO-COAX OR MICRO-POWER		
	REMOVE BURRS. BREAK SHARP EDGES		ENG					
MATERIAL		PROD			SIZE	FSCM NO.	DWG. NO.	REV
FINISH		ASSY			C	18117	510104267	H
		Q A			SCALE: NONE	7/19/05	510104267	SHEET 1 OF 1
		APPD						