

4

3

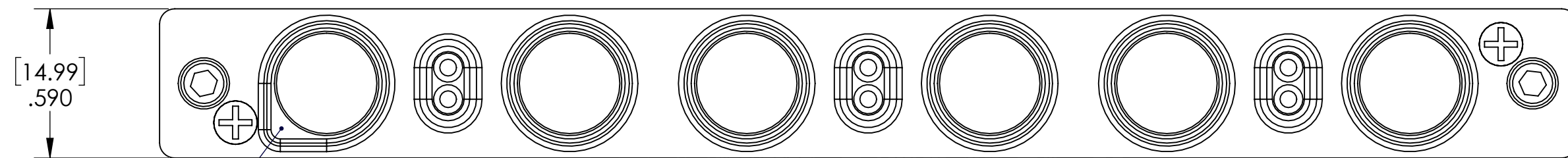
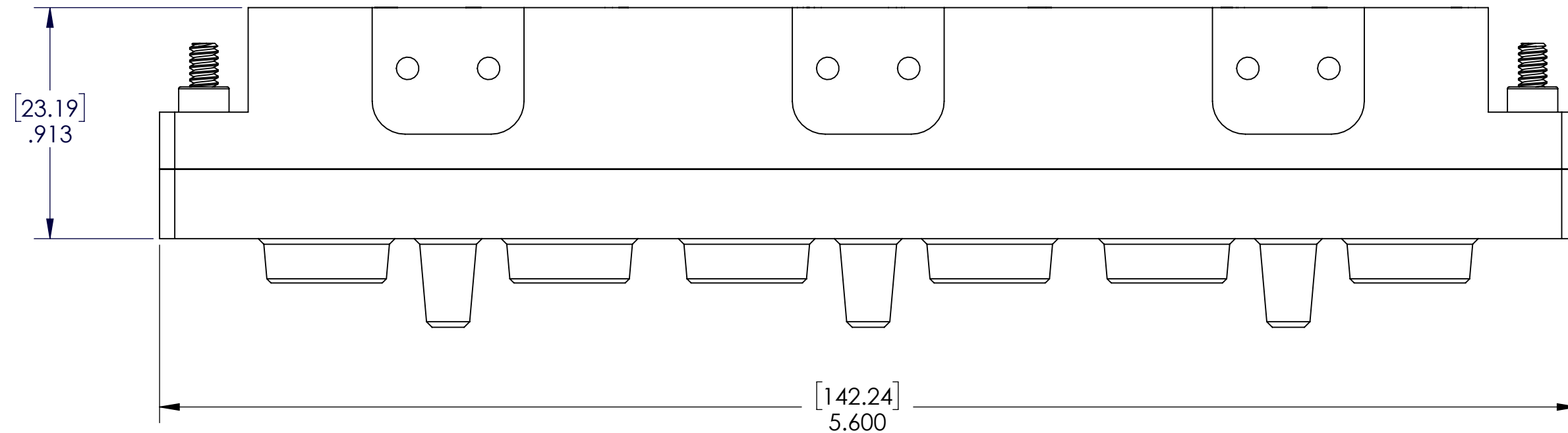
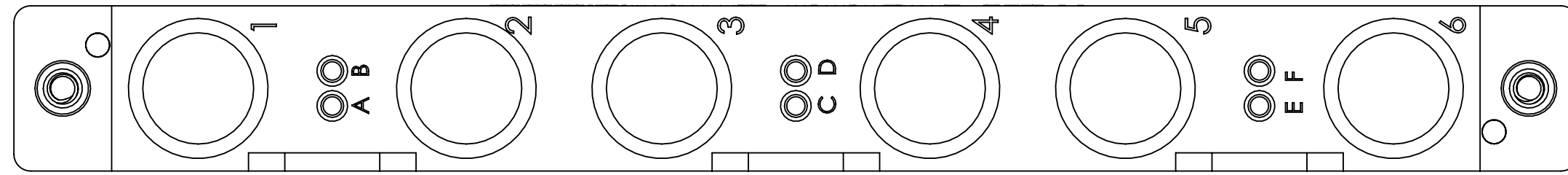
2

1

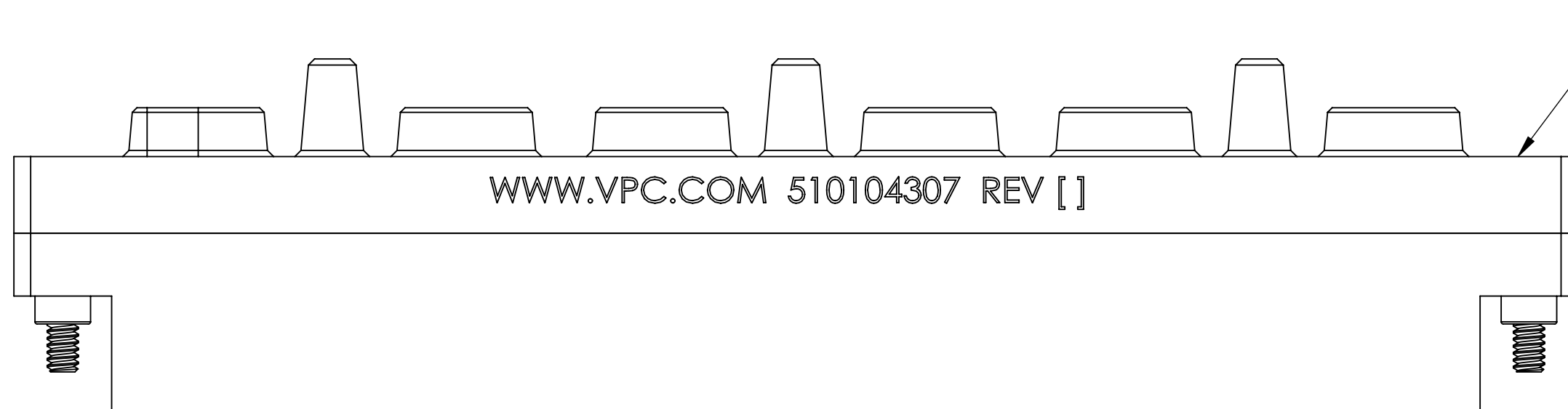
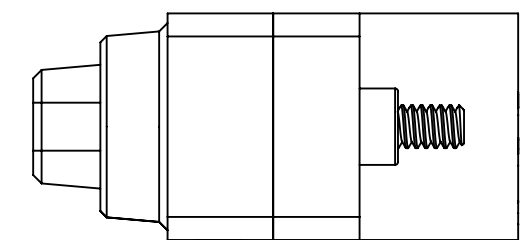
DO NOT SCALE DRAWING

THE INFORMATION CONTAINED HEREIN IS THE EXCLUSIVE PROPERTY OF VIRGINIA PANEL CORPORATION AND IS SUBMITTED FOR USE BY THE CUSTOMER ONLY. THE DATA SHALL NOT BE DUPLICATED, USED, OR DISCLOSED IN WHOLE OR IN PART FOR ANY PURPOSE OTHER THAN TO MAINTAIN THE EQUIPMENT PROVIDED. CONSULT WITH VIRGINIA PANEL CORPORATION ENGINEERING IF MORE DETAIL IS REQUIRED.

REVISIONS			
REV	DESCRIPTION	DATE	ENGR
D	ECN #8683	11/14/18	R HERRON



PIN #1 POLARIZING FEATURE



3. STRAIN RELIEF PLATE NOT SHOWN

2. MATERIALS;
HOUSING - FR4/G10, PAINTED
HARDWARE - STAINLESS STEEL
LOCATOR - THERMOPLASTIC

1. FOR APPLICATION USE & CARE INFORMATION CONSULT VPC USERS GUIDE @WWW.VPC.COM

NOTES:

MODULE FRONT
(ITA MATING SIDE)

MODULE REAR
(WIRING SIDE)

CUSTOMER DRAWING			
VIRGINIA PANEL CORPORATION WWW.VPC.COM			
RCV MODULE, 90S 150 AMP POWER			
DIMENSIONS ARE SHOWN AS:	SIZE	CAGE CODE	DWG. NO.
[MILLIMETERS]	C	18117	510104307
INCHES			
SCALE: 2:1	510104307	7/3/13	SHEET 1 OF 1

4

3

2

1