

4

3

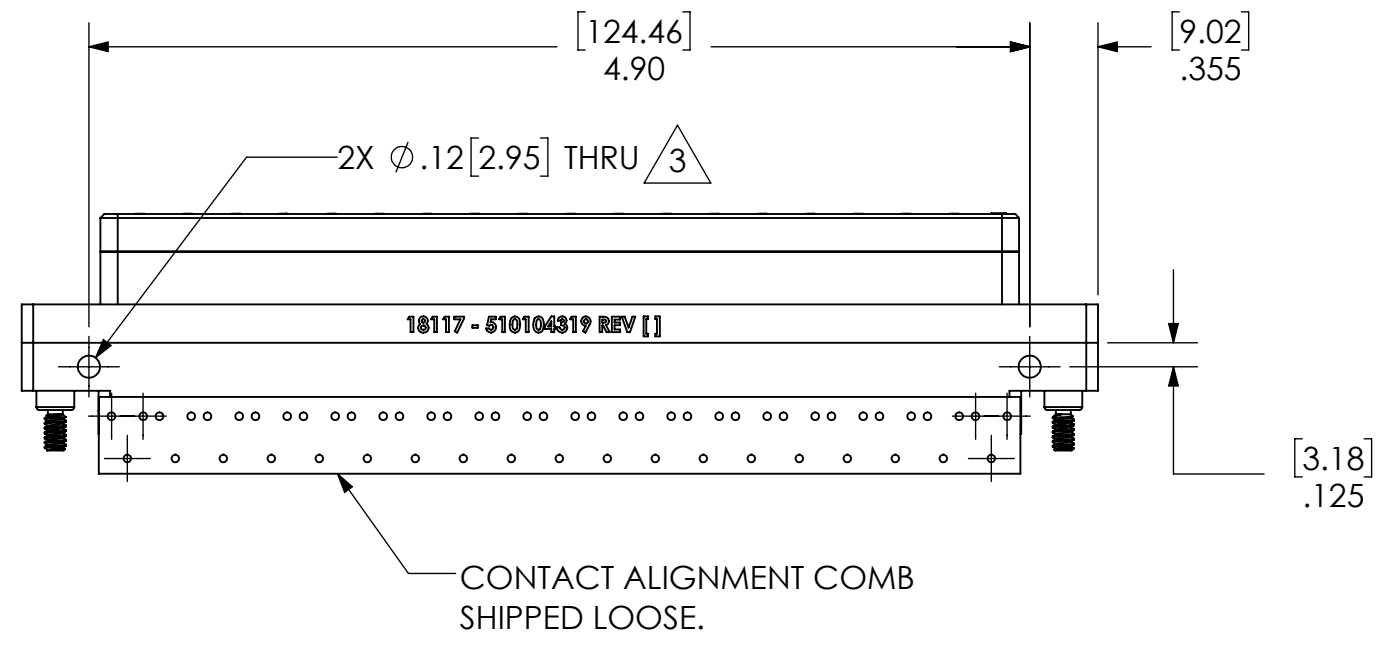
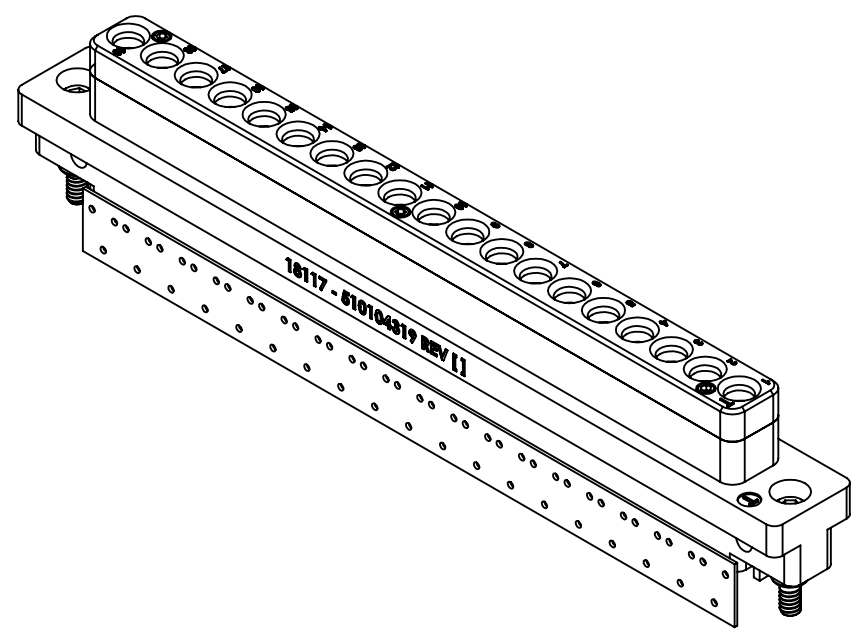
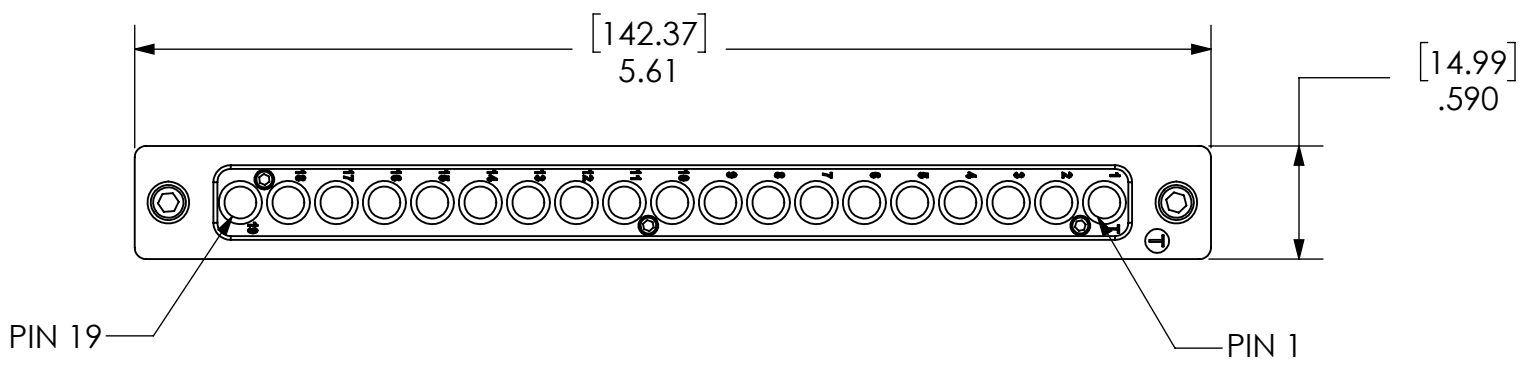
2

1

DO NOT SCALE DRAWING

THE INFORMATION CONTAINED HEREIN IS THE EXCLUSIVE PROPERTY OF VPC AND IS PERMITTED FOR USE BY THE CUSTOMER ONLY. THE DATA SHALL NOT BE DUPLICATED, USED, OR DISCLOSED IN WHOLE OR IN PART FOR ANY PURPOSE OTHER THAN TO MAINTAIN THE EQUIPMENT PROVIDED.

REV	DESCRIPTION	DATE	ENGINEER
B	ECN #13030	5/16/2023	J HARDIGREE



4. FOR USE WITH CONTACT 610104160
- 3 CLEARANCE HOLES FOR PCB MOUNTING
2. MATING ITA MODULE - VPC PART # 510 108 111
1. FOR MORE INFORMATION, VISIT VPC.COM.
- NOTES:

RELATIVE CONNECTOR POSITIONS AND WIRE ROUTING ARE GENERIC AND MAY VARY WITH PINOUT

DIMENSIONS ARE SHOWN AS:  
[MILLIMETERS]  
INCHES

**CUSTOMER DRAWING**

MINI COAX, MOD, RCVR, 90s, 19 POS, RIGHT ANGLE

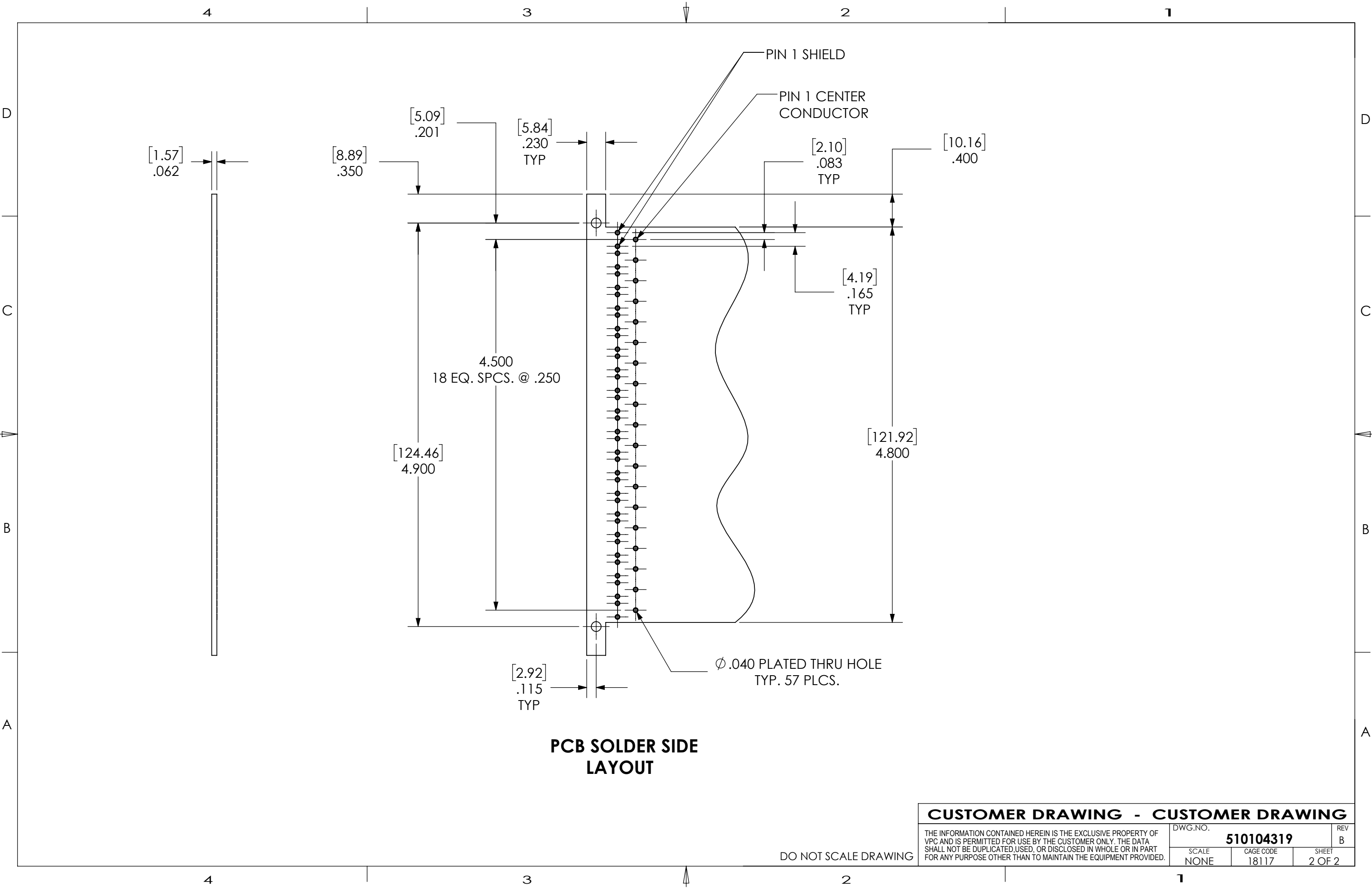
DWG.NO.	510104319	REV	B
SCALE	NONE	CAGE CODE	18117
SHEET		1 OF 2	

4

3

2

1



**PCB SOLDER SIDE LAYOUT**

**CUSTOMER DRAWING - CUSTOMER DRAWING**

THE INFORMATION CONTAINED HEREIN IS THE EXCLUSIVE PROPERTY OF VPC AND IS PERMITTED FOR USE BY THE CUSTOMER ONLY. THE DATA SHALL NOT BE DUPLICATED, USED, OR DISCLOSED IN WHOLE OR IN PART FOR ANY PURPOSE OTHER THAN TO MAINTAIN THE EQUIPMENT PROVIDED.			DWG.NO. <b>510104319</b>	REV B
SCALE NONE	CAGE CODE 18117	SHEET 2 OF 2		

DO NOT SCALE DRAWING