

4

3

2

1

DO NOT SCALE DRAWING

THE INFORMATION CONTAINED HEREIN IS THE EXCLUSIVE PROPERTY OF VPC AND IS PERMITTED FOR USE BY THE CUSTOMER ONLY. THE DATA SHALL NOT BE DUPLICATED, USED, OR DISCLOSED IN WHOLE OR IN PART FOR ANY PURPOSE OTHER THAN TO MAINTAIN THE EQUIPMENT PROVIDED.

REV	DESCRIPTION	DATE	ENGINEER
L	ECN #12395	3/8/22	M ECKERT

D

D

C

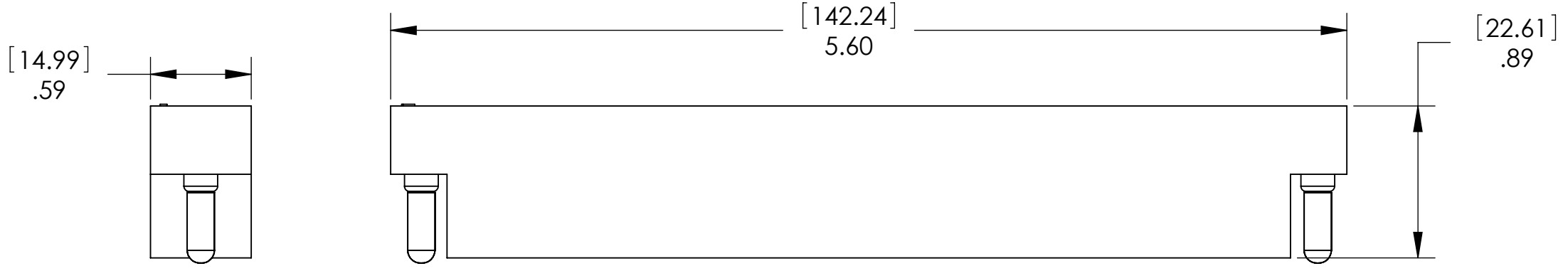
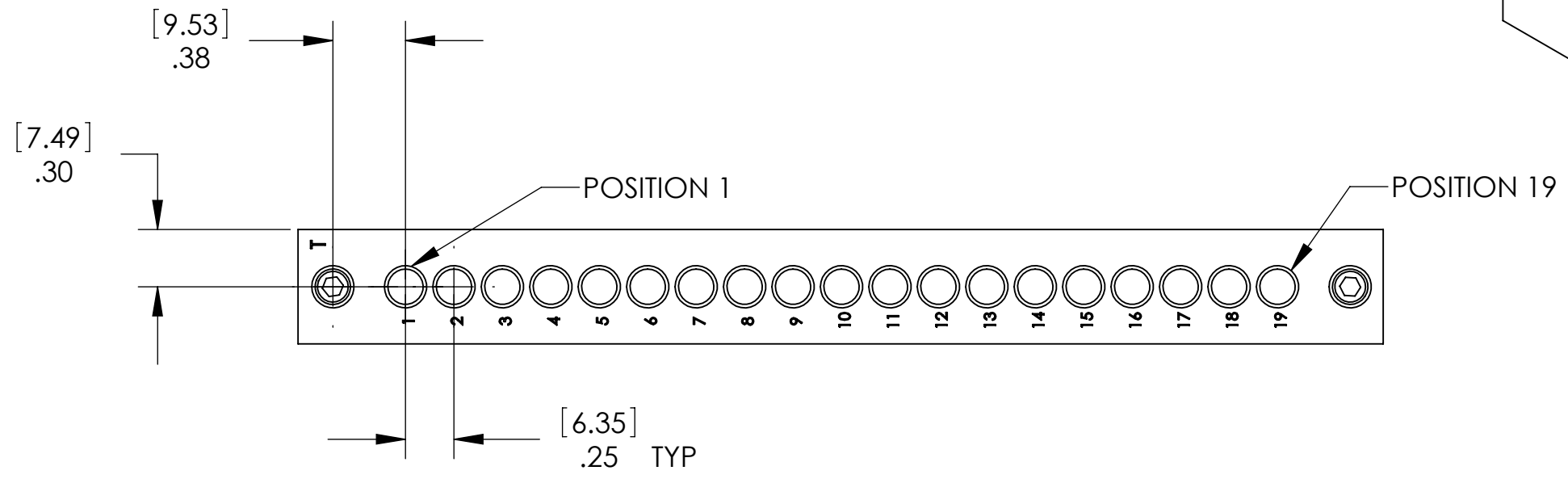
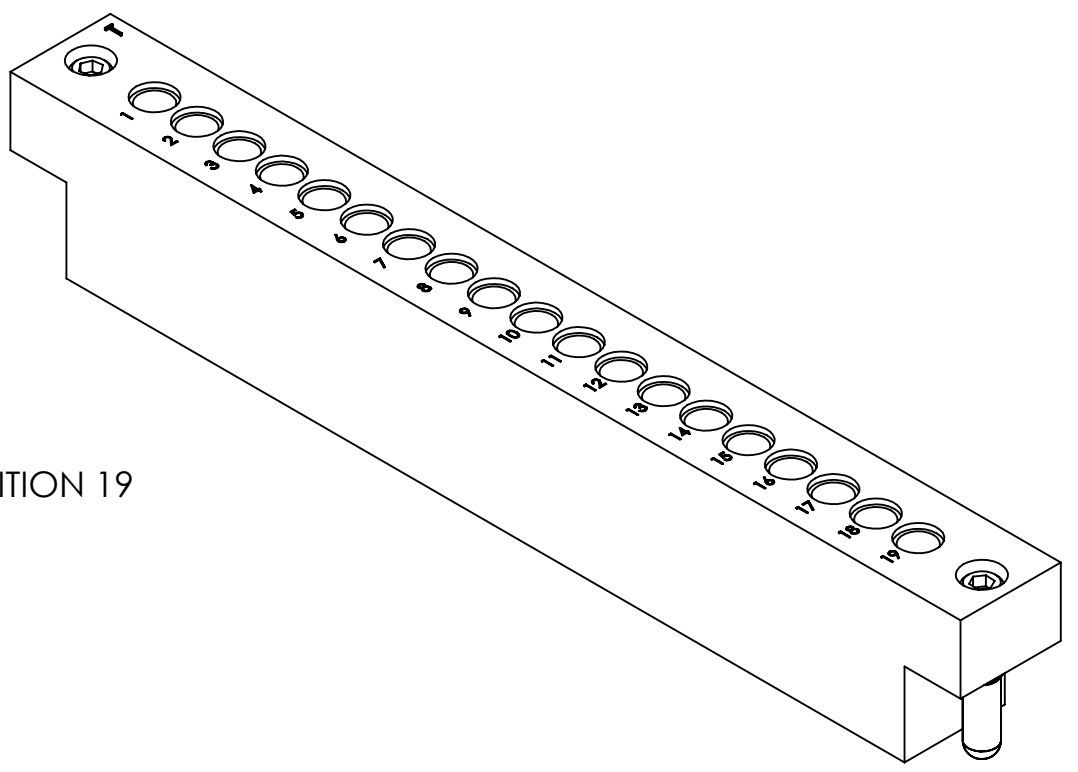
C

B

B

A

A



2. MATES TO VPC MODULE
MINICOAX MODULE, RCV, 19 POSITION 510 104 120

1. FOR MORE INFORMATION VISIT VPC.COM

NOTES:

CUSTOMER DRAWING

**MINICOAX MODULE,
ITA 19 POSITION**

DWG.NO.	510108111	REV	L
SCALE	1:1	CAGE CODE	18117
DIMENSIONS ARE SHOWN AS: [MILLIMETERS] INCHES		SHEET	1 OF 1

4

3

2

1