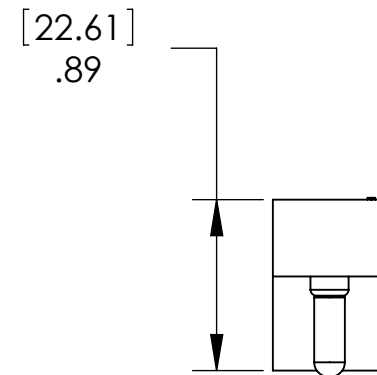
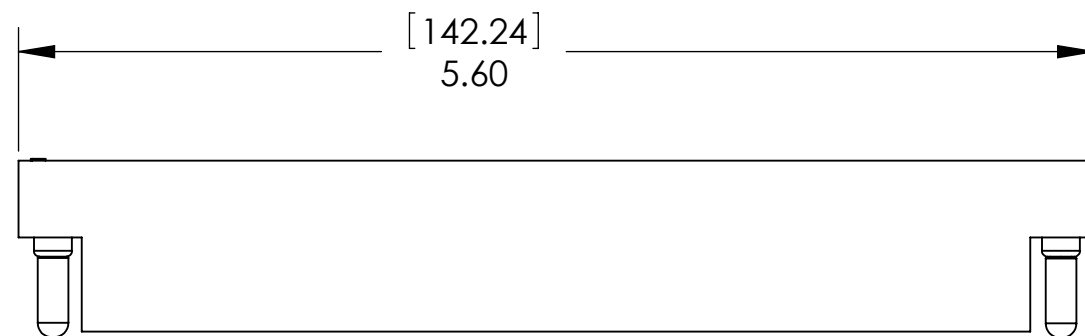
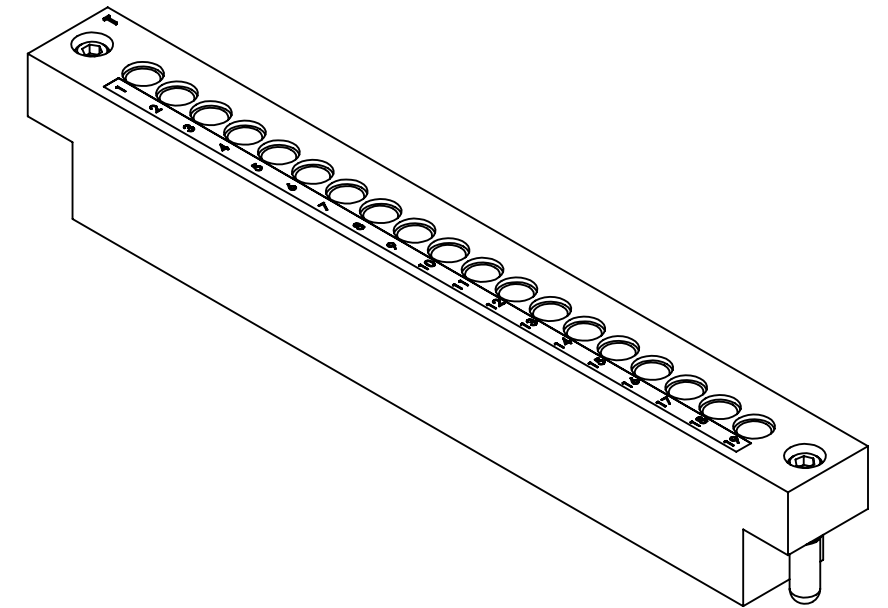
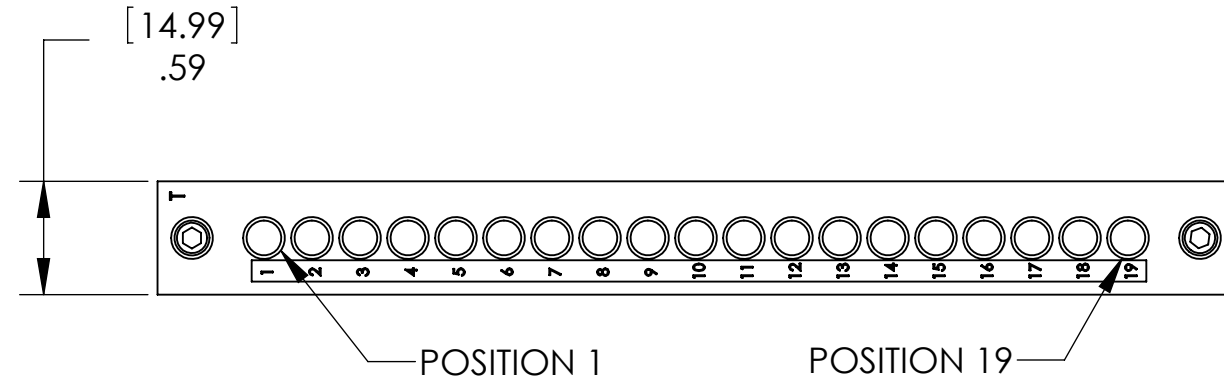


DO NOT SCALE DRAWING

THE INFORMATION CONTAINED HEREIN IS THE EXCLUSIVE PROPERTY OF VPC AND IS PERMITTED FOR USE BY THE CUSTOMER ONLY. THE DATA SHALL NOT BE DUPLICATED, USED, OR DISCLOSED IN WHOLE OR IN PART FOR ANY PURPOSE OTHER THAN TO MAINTAIN THE EQUIPMENT PROVIDED. CONSULT WITH VPC ENGINEERING IF MORE DETAIL IS REQUIRED.

REV	DESCRIPTION	DATE	ENGINEER
F	ECN # 11269	3/11/21	J HARDIGREE



2. MATING RCV MODULE - VPC PART # 510 104 123

1. FOR MORE INFORMATION VISIT VPC.COM

NOTES:

CUSTOMER DRAWING



MINIPOWER MODULE ITA, 19 POSITION

DWG.NO. 510108115		REV F
SIZE B	SCALE: NONE	CAGE CODE 18117
		SHEET 1 OF 1

DIMENSIONS ARE SHOWN AS:
[MILLIMETERS]
INCHES