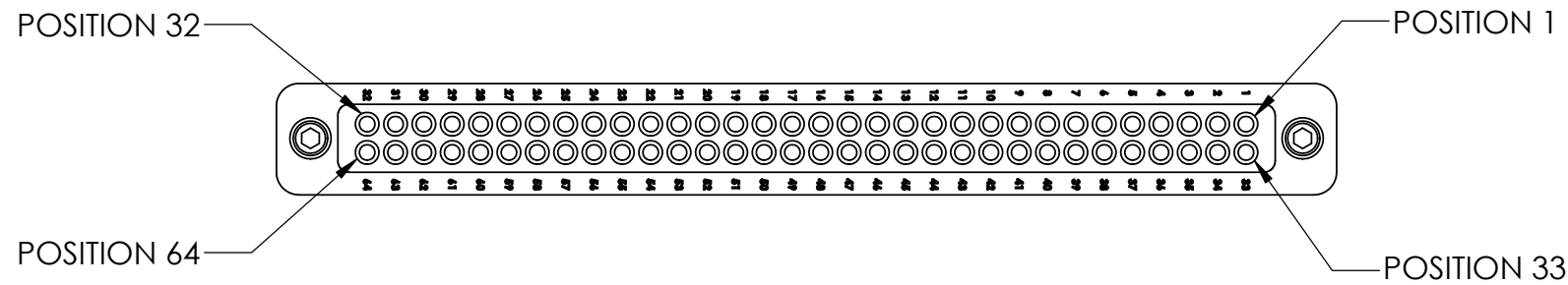
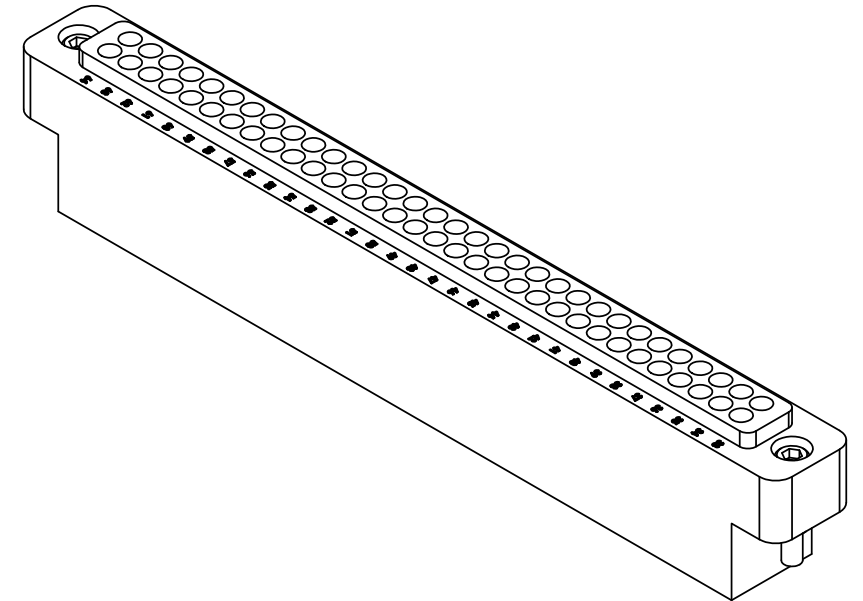
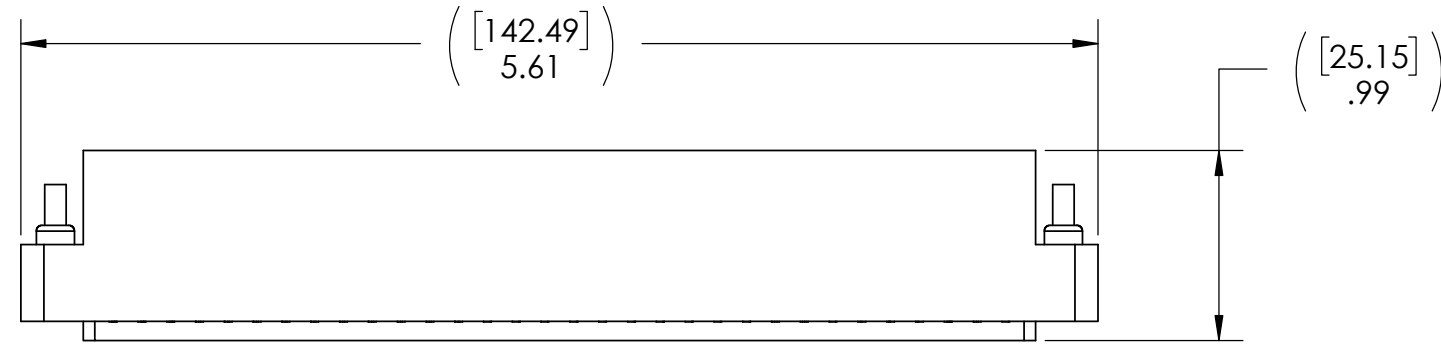
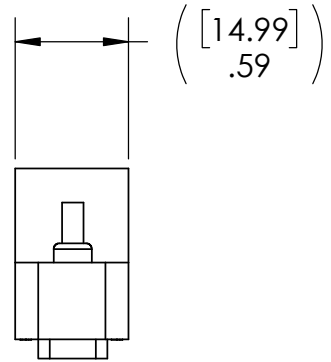


DO NOT SCALE DRAWING

THE INFORMATION CONTAINED HEREIN IS THE EXCLUSIVE PROPERTY OF VIRGINIA PANEL CORPORATION AND IS SUBMITTED FOR USE BY THE CUSTOMER ONLY. THE DATA SHALL NOT BE DUPLICATED, USED, OR DISCLOSED IN WHOLE OR IN PART FOR ANY PURPOSE OTHER THAN TO MAINTAIN THE EQUIPMENT PROVIDED. CONSULT WITH VIRGINIA PANEL CORPORATION ENGINEERING IF MORE DETAIL IS REQUIRED.

| REVISIONS |             |         |      |
|-----------|-------------|---------|------|
| REV       | DESCRIPTION | DATE    | ENGR |
| E         | ECN #15011  | 5/23/25 | RF   |



2. VPC MATING MODULE  
 SIGNAL MODULE, RCV, TRIPADDLE, 64 POSITION 510 104 133

1. FOR APPLICATION USE AND CARE INFORMATION CONSULT VPC USERS GUIDE @ WWW.VPC.COM

NOTES:

**CUSTOMER DRAWING**

**VIRGINIA PANEL CORPORATION**

WWW.VPC.COM

**THERMOCOUPLE MODULE  
 ITA, 64 POSITION**

|                          |      |           |                  |     |
|--------------------------|------|-----------|------------------|-----|
| DIMENSIONS ARE SHOWN AS: | SIZE | CAGE CODE | DWG.NO.          | REV |
| [MILLIMETERS]<br>INCHES  | B    | 18117     | <b>510108124</b> | E   |
| SCALE: 1:1               |      | 510108124 | SHEET 1 OF 1     |     |