

4

3

2

1

DO NOT SCALE DRAWING

THE INFORMATION CONTAINED HEREIN IS THE EXCLUSIVE PROPERTY OF VPC AND IS PERMITTED FOR USE BY THE CUSTOMER ONLY. THE DATA SHALL NOT BE DUPLICATED, USED, OR DISCLOSED IN WHOLE OR IN PART FOR ANY PURPOSE OTHER THAN TO MAINTAIN THE EQUIPMENT PROVIDED.

REV	DESCRIPTION	DATE	ENGINEER
C	ECN #15902	6/16/26	S MARSHALL

D

D

C

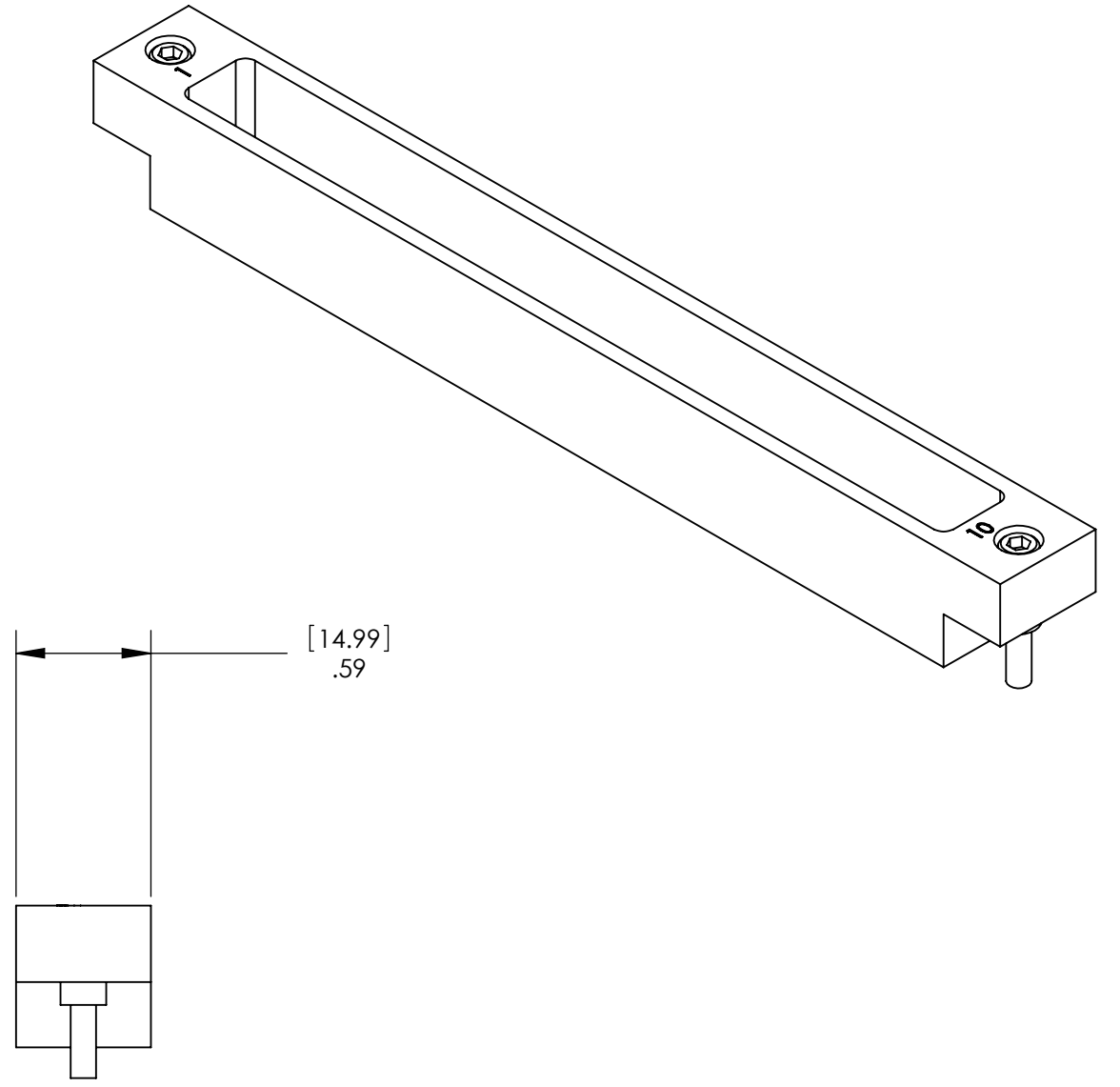
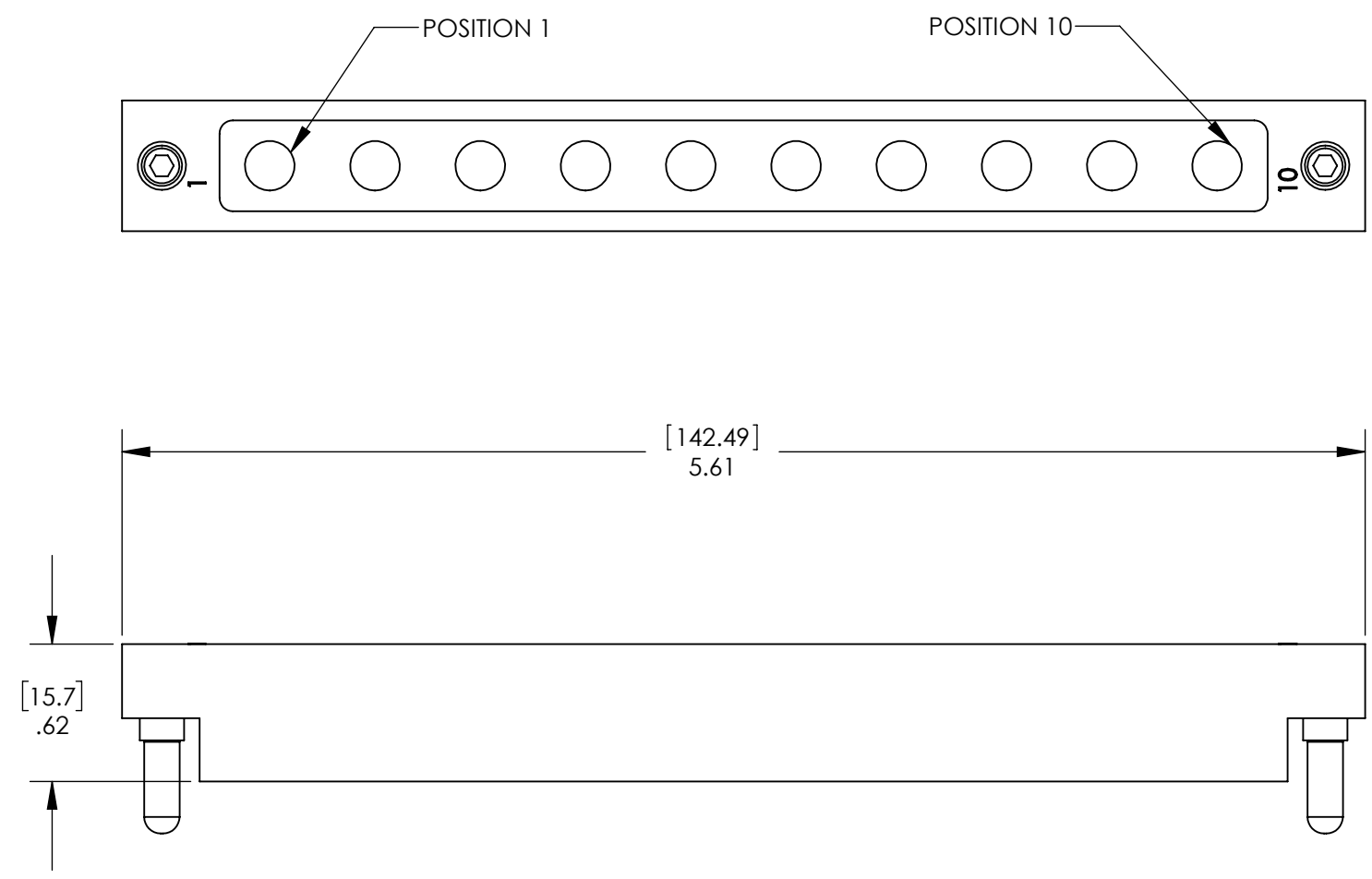
C

B

B

A

A



1. FOR MORE INFORMATION VISIT VPC.COM  
 NOTES:

DIMENSIONS ARE SHOWN AS:  
 [MILLIMETERS]  
 INCHES

<b>CUSTOMER DRAWING</b>		
Pneumatic Module, ITA, 10 Position (1/8" Flow)		
DWG.NO.	REV	
<b>510108160</b>	C	
SCALE	CAGE CODE	SHEET
1:1	18117	1 OF 1

4

3

2

1