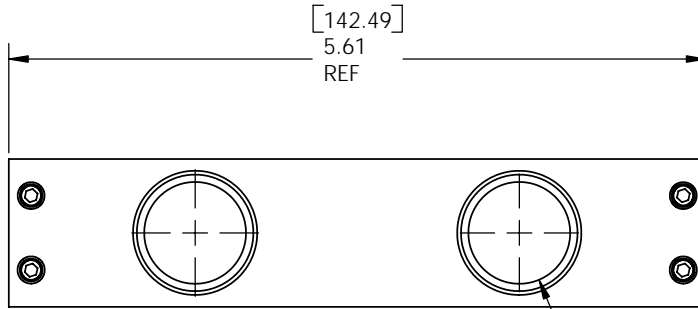


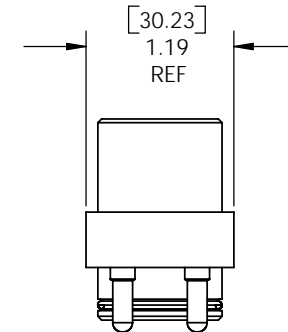
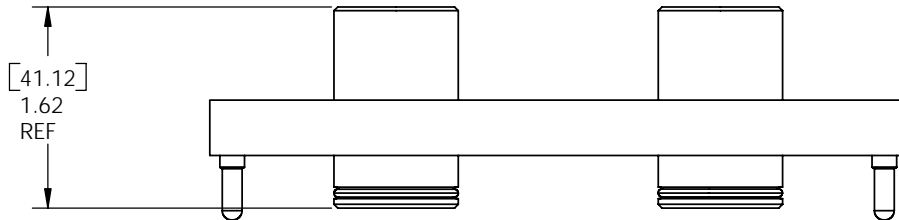
DO NOT SCALE DRAWING

THE INFORMATION CONTAINED HEREIN IS THE EXCLUSIVE PROPERTY OF VIRGINIA PANEL CORPORATION AND IS PROVIDED FOR USE BY THE CUSTOMER ONLY.

REVISIONS			
REV	DESCRIPTION	DATE	APPROVED
A	ORIGINAL RELEASE	9/23/03	RT
B	ECN # 04-510-0018	2/4/04	RT
C	ECN # 04-510-0025	2/16/04	RT



Ø.82  
TYP 2 PLCS  
REF



CUSTOMER DRAWING - CUSTOMER DRAWING

DIMENSIONS ARE SHOWN AS [MILLIMETERS] INCHES	SIGNATURES		DATE
	DR	R TAYLOR	9/23/03
MATERIAL	CHK	B GRACE	9/23/03
FINISH			

VIRGINIA PANEL CORP.  
ITA MODULE ASSEMBLY

SIZE B	FSCM NO. 18117	DWG. NO. 510108242	REV C
SCALE: 1:1		510108242 9/23/03	SHEET 1 OF 1

1. FOR APPLICATION USE AND CARE INFORMATION CONSULT VPC USERS MANUAL @ WWW.VPC.COM

NOTES: