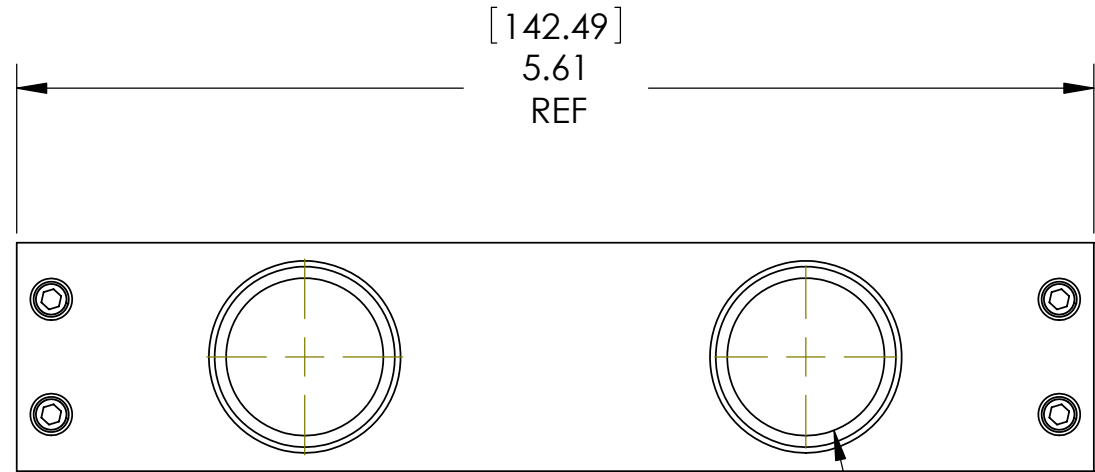


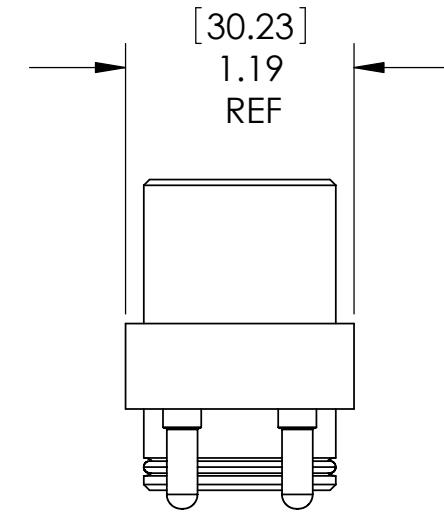
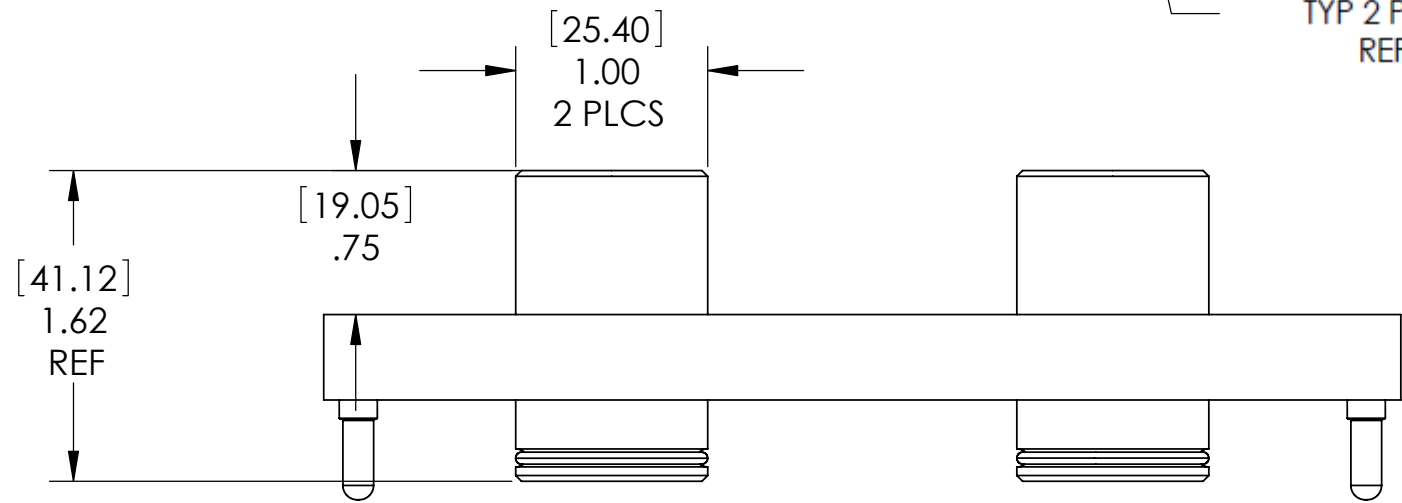
DO NOT SCALE DRAWING

THE INFORMATION CONTAINED HEREIN IS THE EXCLUSIVE PROPERTY OF VIRGINIA PANEL CORPORATION AND IS PROVIDED FOR USE BY THE CUSTOMER ONLY.

REVISIONS			
REV	DESCRIPTION	DATE	APPROVED
A	EC 04-510-0178	8/4/04	EJA
B	ECN # 15011	5/23/25	RF



M22.5 X 1.5 THREAD
TYP 2 PLCS
REF



CUSTOMER DRAWING - CUSTOMER DRAWING

DIMENSIONS ARE SHOWN AS [MILLIMETERS] INCHES	SIGNATURES		DATE	VIRGINIA PANEL CORP.			
	DR	E ALESHEVICH	8/4/04				
MATERIAL	CHK	B GRACE	8/4/04	ITA MODULE ASSEMBLY			
FINISH				SIZE	FSCM NO.	DWG.NO.	REV
				B	18117	510108251	B
SCALE: 1:1		510108242	9/23/03	SHEET	1 OF 1		

1. FOR APPLICATION USE AND CARE INFORMATION CONSULT VPC USERS MANUAL @ WWW.VPC.COM

NOTES: