

4

3

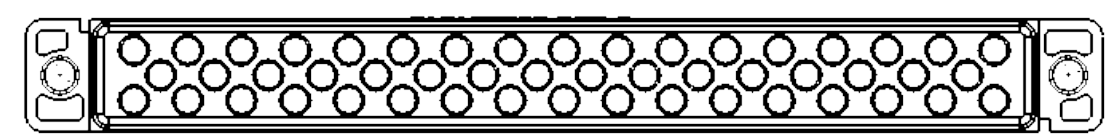
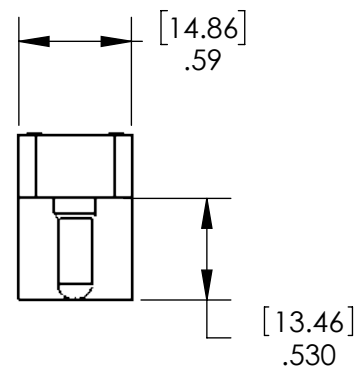
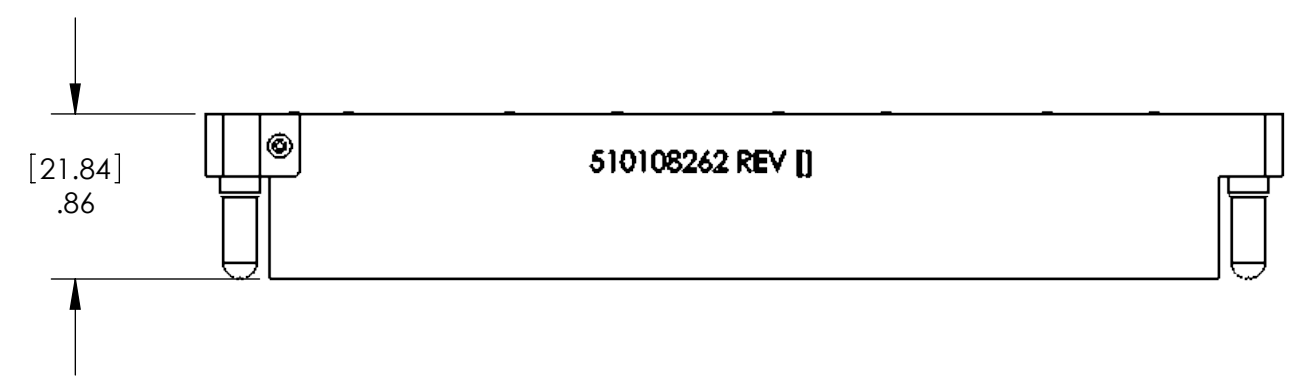
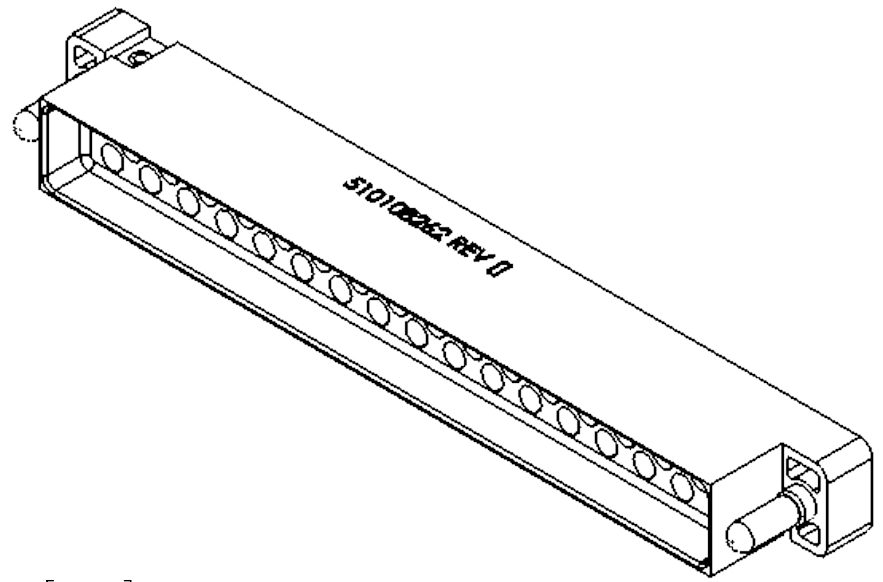
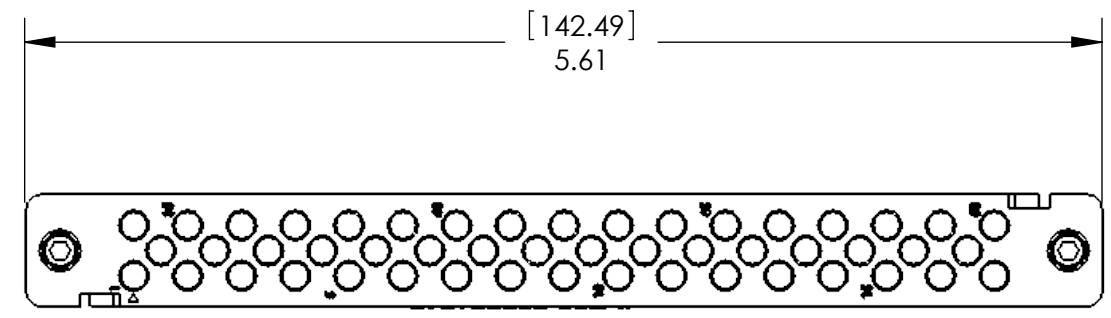
2

1

DO NOT SCALE DRAWING

THE INFORMATION CONTAINED HEREIN IS THE EXCLUSIVE PROPERTY OF VPC AND IS PERMITTED FOR USE BY THE CUSTOMER ONLY. THE DATA SHALL NOT BE DUPLICATED, USED, OR DISCLOSED IN WHOLE OR IN PART FOR ANY PURPOSE OTHER THAN TO MAINTAIN THE EQUIPMENT PROVIDED.

REV	DESCRIPTION	DATE	ENGINEER
E	ECN #11345	4/19/21	J HARDIGREE



2. USE WITH VPC CONTACTS P/N 610141101, 610141102, 610141103 & 610143101  
 1. FOR MORE INFORMATION VISIT VPC.COM  
 NOTES:

**CUSTOMER DRAWING**



MODULE, ITA. 90 SERIES  
50 POS, MICRO COAX  
OR MICRO POWER

DIMENSIONS ARE SHOWN AS:  
[MILLIMETERS]  
INCHES

DWG. NO.	REV	
<b>510108262</b>	E	
SCALE	CAGE CODE	SHEET
1:1	18117	1 OF 1

4

3

2

1