

4

3

2

1

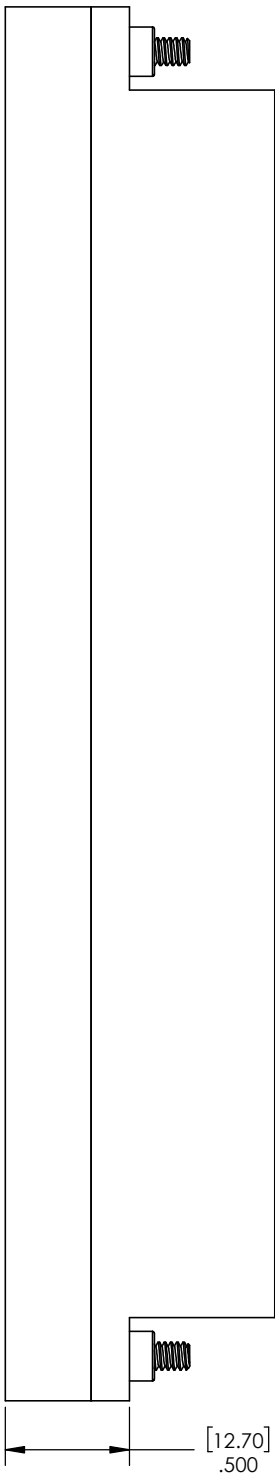
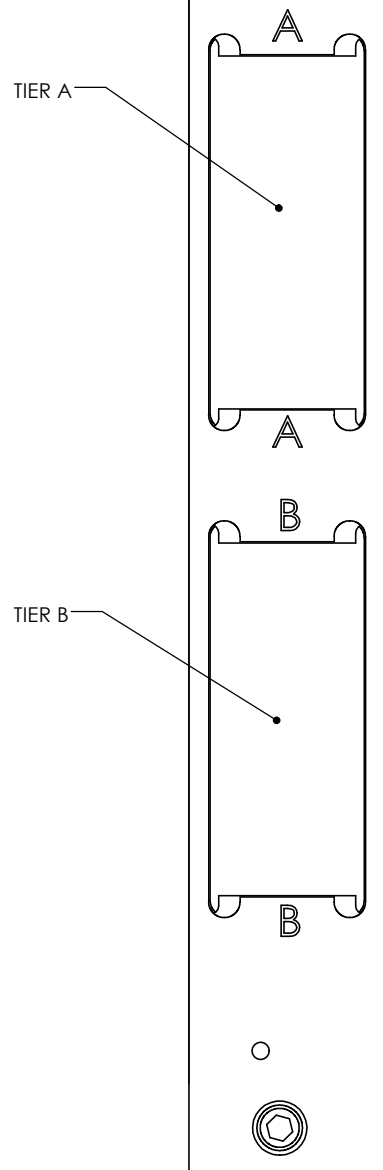
DO NOT SCALE DRAWING

THE INFORMATION CONTAINED HEREIN IS THE EXCLUSIVE PROPERTY OF VIRGINIA PANEL CORPORATION AND IS SUBMITTED FOR USE BY THE CUSTOMER ONLY. THE DATA SHALL NOT BE DUPLICATED, USED, OR DISCLOSED IN WHOLE OR IN PART FOR ANY PURPOSE OTHER THAN TO MAINTAIN THE EQUIPMENT PROVIDED. CONSULT WITH VIRGINIA PANEL CORPORATION ENGINEERING IF MORE DETAIL IS REQUIRED.

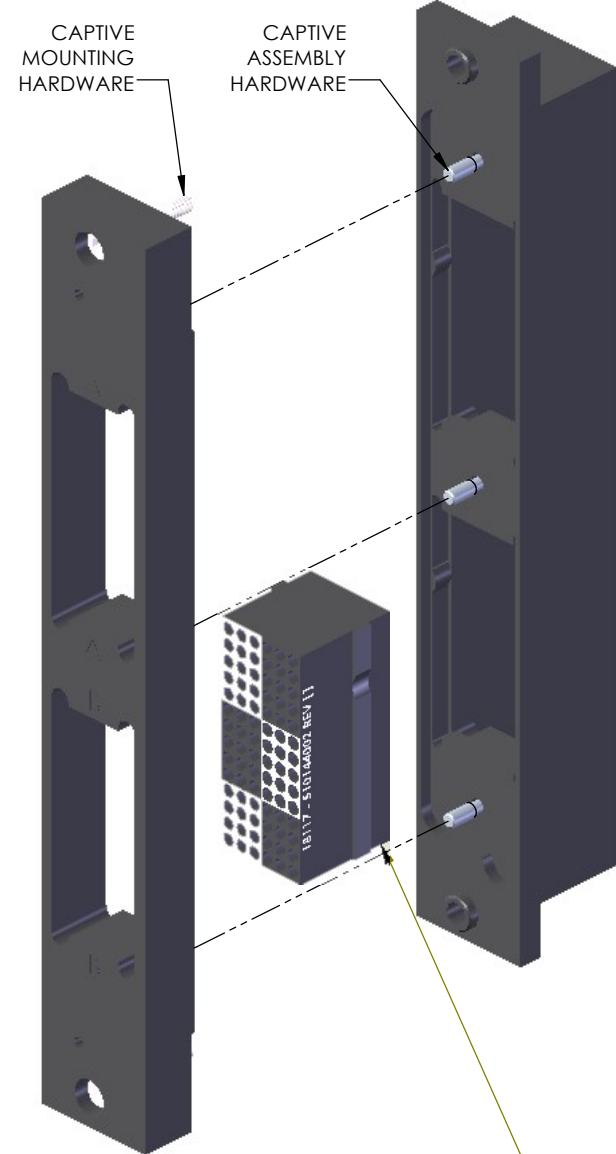
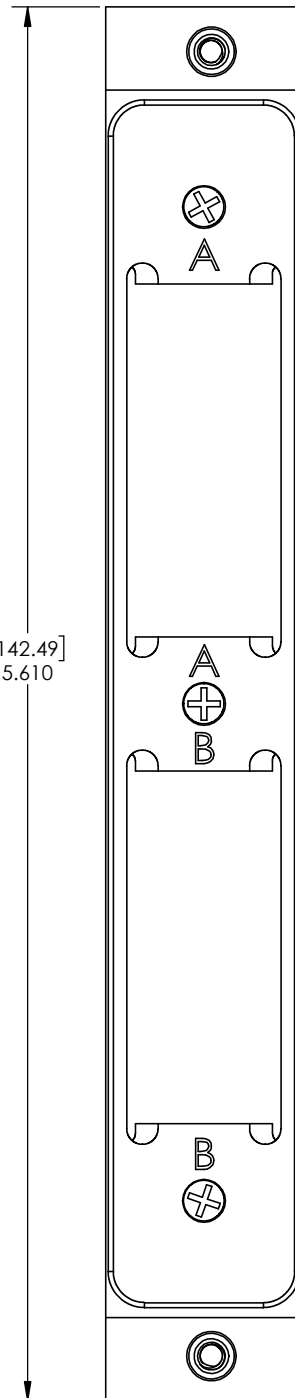
REVISIONS			
REV	DESCRIPTION	DATE	ENGR
D	ECN # 15683	3/16/26	E HESS

D
C
B
A

[20.07]
.790
2X MOUNTING LOCATION FOR STRAIN RELIEF
P/N 510109598, SOLD SEPERATELY



[142.49]
5.610



SHORT SIDE OF MODULE INSTALLS INTO FRONT HALF OF ITA FRAME.
MODULE SHOWN FOR REFERENCE ONLY. NOT INCLUDED WITH ASSEMBLY.

2. MATERIALS;
FRAME - ANODIZED ALUMINUM
HARDWARE - STAINLESS STEEL

1. FOR APPLICATION USE & CARE INFORMATION CONSULT VPC USERS GUIDE @WWW.VPC.COM
NOTES:

CUSTOMER DRAWING

VIRGINIA PANEL CORPORATION
WWW.VPC.COM

ITA FRAME f/ i2 MX INSERTS

RELATIVE CONNECTOR POSITIONS AND WIRE ROUTING ARE GENERIC AND MAY VARY WITH PRODUCT
DIMENSIONS ARE SHOWN AS:
[MILLIMETERS]
INCHES

SIZE	CAGE CODE	DWG. NO.	REV
C	18117	510108288	D
SCALE: 2:1	510108288	4/20/15	SHEET 1 OF 1

4

3

2

1

D
C
B
A