

4

3

2

1

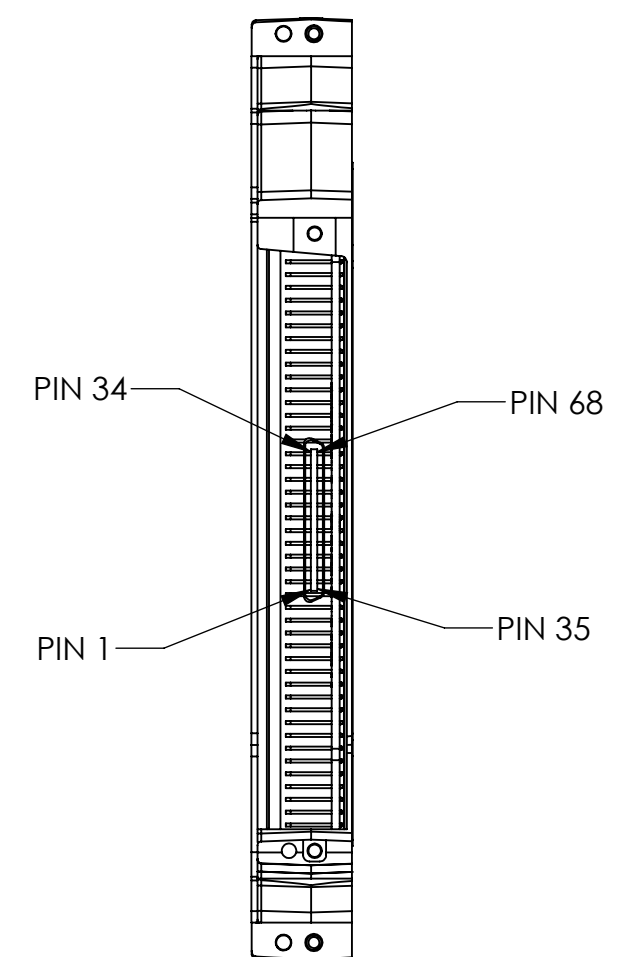
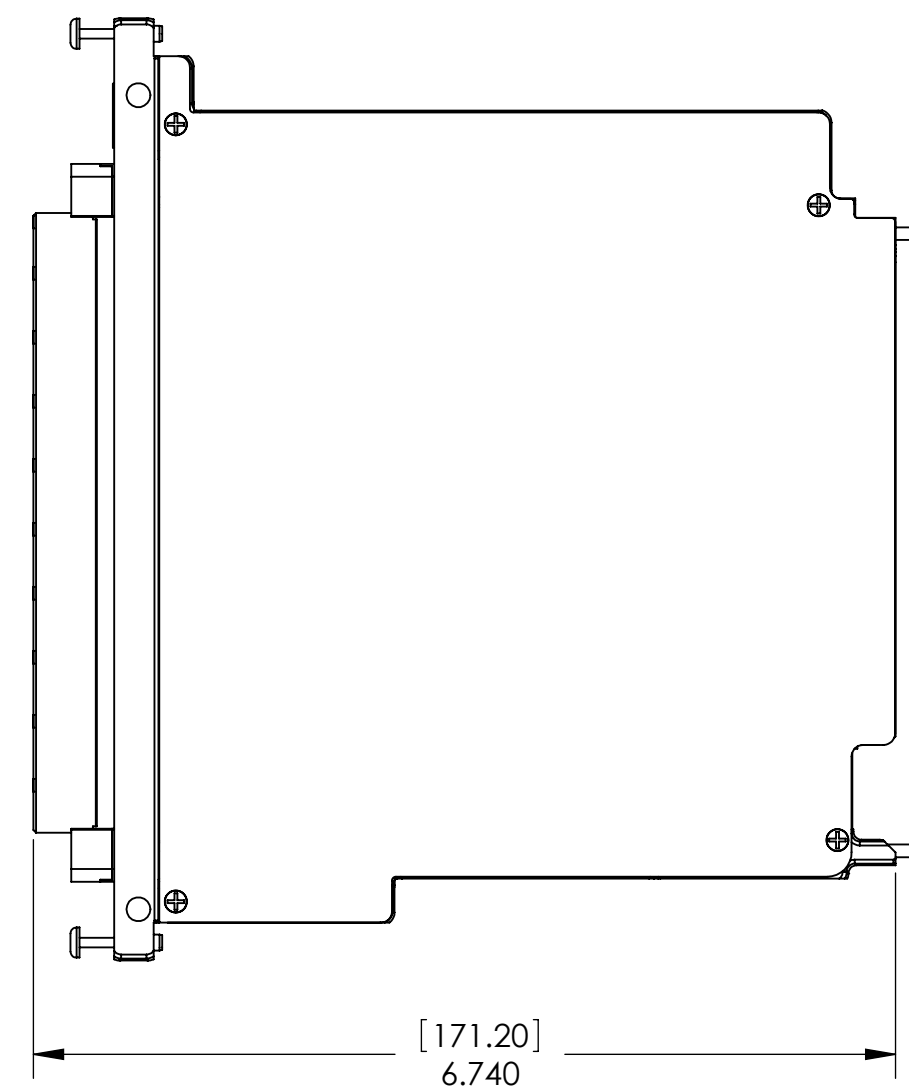
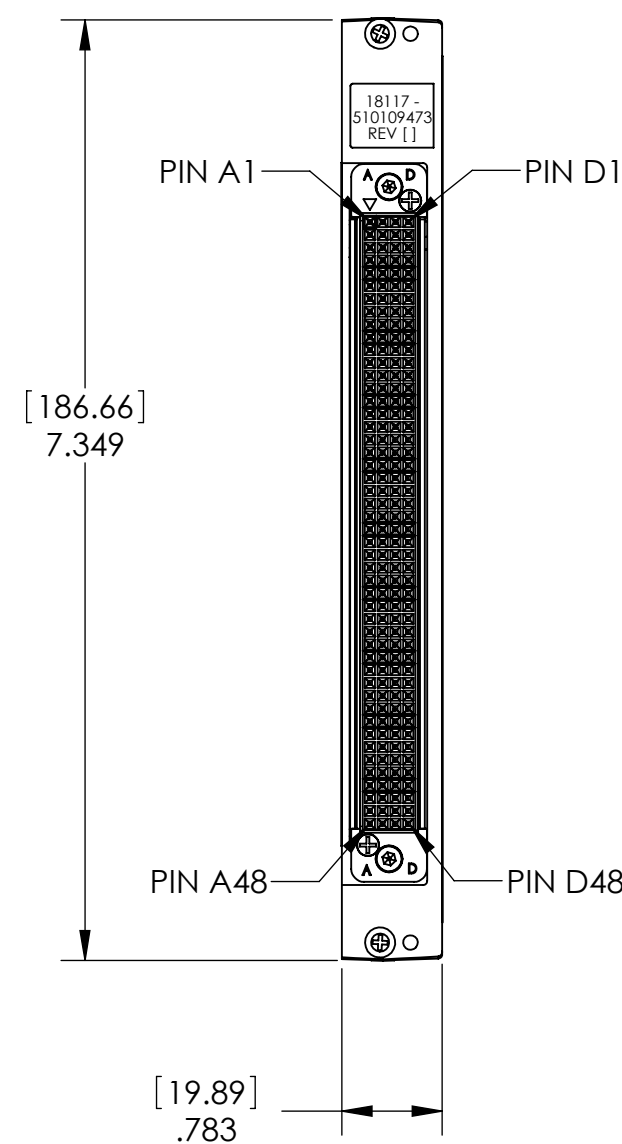
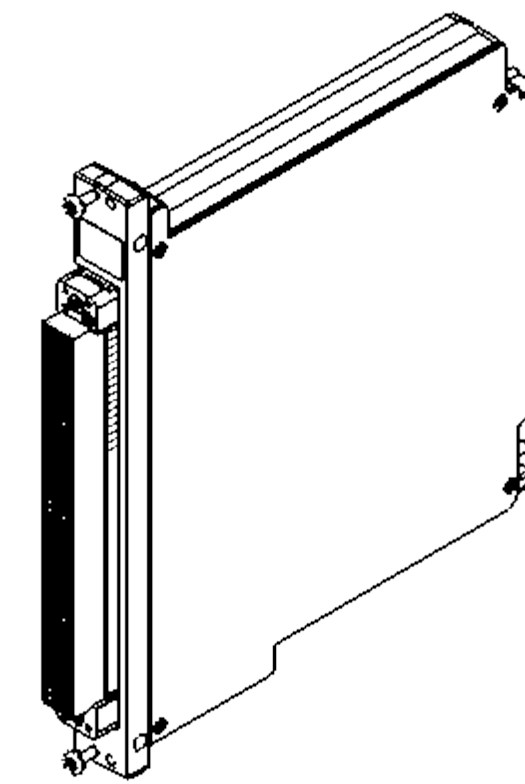
DO NOT SCALE DRAWING

THE INFORMATION CONTAINED HEREIN IS THE EXCLUSIVE PROPERTY OF VIRGINIA PANEL CORPORATION AND IS SUBMITTED FOR USE BY THE CUSTOMER ONLY. THE DATA SHALL NOT BE DUPLICATED, USED, OR DISCLOSED IN WHOLE OR IN PART FOR ANY PURPOSE OTHER THAN TO MAINTAIN THE EQUIPMENT PROVIDED. CONSULT WITH VIRGINIA PANEL CORPORATION ENGINEERING IF MORE DETAIL IS REQUIRED.

REVISIONS			
REV	DESCRIPTION	DATE	ENGR
F	ECN # 12391	3/8/22	R HERRON

SIGNAL TRACES

VPC (J1) VHDCI (S1)		VPC (J1) VHDCI (S1)		VPC (J1) VHDCI (S1)		VPC (J1) VHDCI (S1)	
FROM	TO	FROM	TO	FROM	TO	FROM	TO
A1	34	B1	33	C1	68	D1	67
A2	32	B2	31	C2	66	D2	65
A3	30	B3	29	C3	64	D3	63
A4	28	B4	27	C4	62	D4	61
A5	26	B5	25	C5	60	D5	59
A6	24	B6	23	C6	58	D6	57
A7	22	B7	21	C7	56	D7	55
A8	20	B8	19	C8	54	D8	53
A9	18	B9	17	C9	52	D9	51
A10	16	B10	15	C10	50	D10	49
A11	14	B11	13	C11	48	D11	47
A12	12	B12	11	C12	46	D12	45
A13	10	B13	9	C13	44	D13	43
A14	8	B14	7	C14	42	D14	41
A15	6	B15	5	C15	40	D15	39
A16	4	B16	3	C16	38	D16	37
A17	2	B17	1	C17	36	D17	35
A18	GND	B18	OPEN	C18	OPEN	D18	OPEN
A19	OPEN	B19	OPEN	C19	OPEN	D19	OPEN
A20	OPEN	B20	OPEN	C20	OPEN	D20	OPEN
A21	OPEN	B21	OPEN	C21	OPEN	D21	OPEN
A22	OPEN	B22	OPEN	C22	OPEN	D22	OPEN
A23	OPEN	B23	OPEN	C23	OPEN	D23	OPEN
A24	OPEN	B24	OPEN	C24	OPEN	D24	OPEN
A25	OPEN	B25	OPEN	C25	OPEN	D25	OPEN
A26	OPEN	B26	OPEN	C26	OPEN	D26	OPEN
A27	OPEN	B27	OPEN	C27	OPEN	D27	OPEN
A28	OPEN	B28	OPEN	C28	OPEN	D28	OPEN
A29	OPEN	B29	OPEN	C29	OPEN	D29	OPEN
A30	OPEN	B30	OPEN	C30	OPEN	D30	OPEN
A31	OPEN	B31	OPEN	C31	OPEN	D31	OPEN
A32	OPEN	B32	OPEN	C32	OPEN	D32	OPEN
A33	OPEN	B33	OPEN	C33	OPEN	D33	OPEN
A34	OPEN	B34	OPEN	C34	OPEN	D34	OPEN
A35	OPEN	B35	OPEN	C35	OPEN	D35	OPEN
A36	OPEN	B36	OPEN	C36	OPEN	D36	OPEN
A37	OPEN	B37	OPEN	C37	OPEN	D37	OPEN
A38	OPEN	B38	OPEN	C38	OPEN	D38	OPEN
A39	OPEN	B39	OPEN	C39	OPEN	D39	OPEN
A40	OPEN	B40	OPEN	C40	OPEN	D40	OPEN
A41	OPEN	B41	OPEN	C41	OPEN	D41	OPEN
A42	OPEN	B42	OPEN	C42	OPEN	D42	OPEN
A43	OPEN	B43	OPEN	C43	OPEN	D43	OPEN
A44	OPEN	B44	OPEN	C44	OPEN	D44	OPEN
A45	OPEN	B45	OPEN	C45	OPEN	D45	OPEN
A46	OPEN	B46	OPEN	C46	OPEN	D46	OPEN
A47	OPEN	B47	OPEN	C47	OPEN	D47	OPEN
A48	OPEN	B48	OPEN	C48	OPEN	D48	OPEN



TECHNICAL DATA:  
CONNECTOR:  
CURRENT = .5 AMP @ 30 VAC  
TEMP = -55° to 85° C  
ISULATION RESISTANCE = 500 MEGAOHMS  
DWV = 250 VAC

1. FOR APPLICATION USE & CARE INFORMATION CONSULT VPC USERS GUIDE @WWW.VPC.COM  
NOTES:

<b>CUSTOMER DRAWING</b>			
<b>VIRGINIA PANEL CORPORATION</b> WWW.VPC.COM			
WDA W/ PCB NI PXIe-6537			
DIMENSIONS ARE SHOWN AS:	SIZE	CAGE CODE	DWG. NO.
[MILLIMETERS]	C	18117	510109473
INCHES	SCALE: 1:1	510109473	9/13/2010 SHEET 1 OF 1

MATING MODULE	510151105 (1)
MATING PATCHCORDS	7-123426000-036 (68)

4

3

2

1