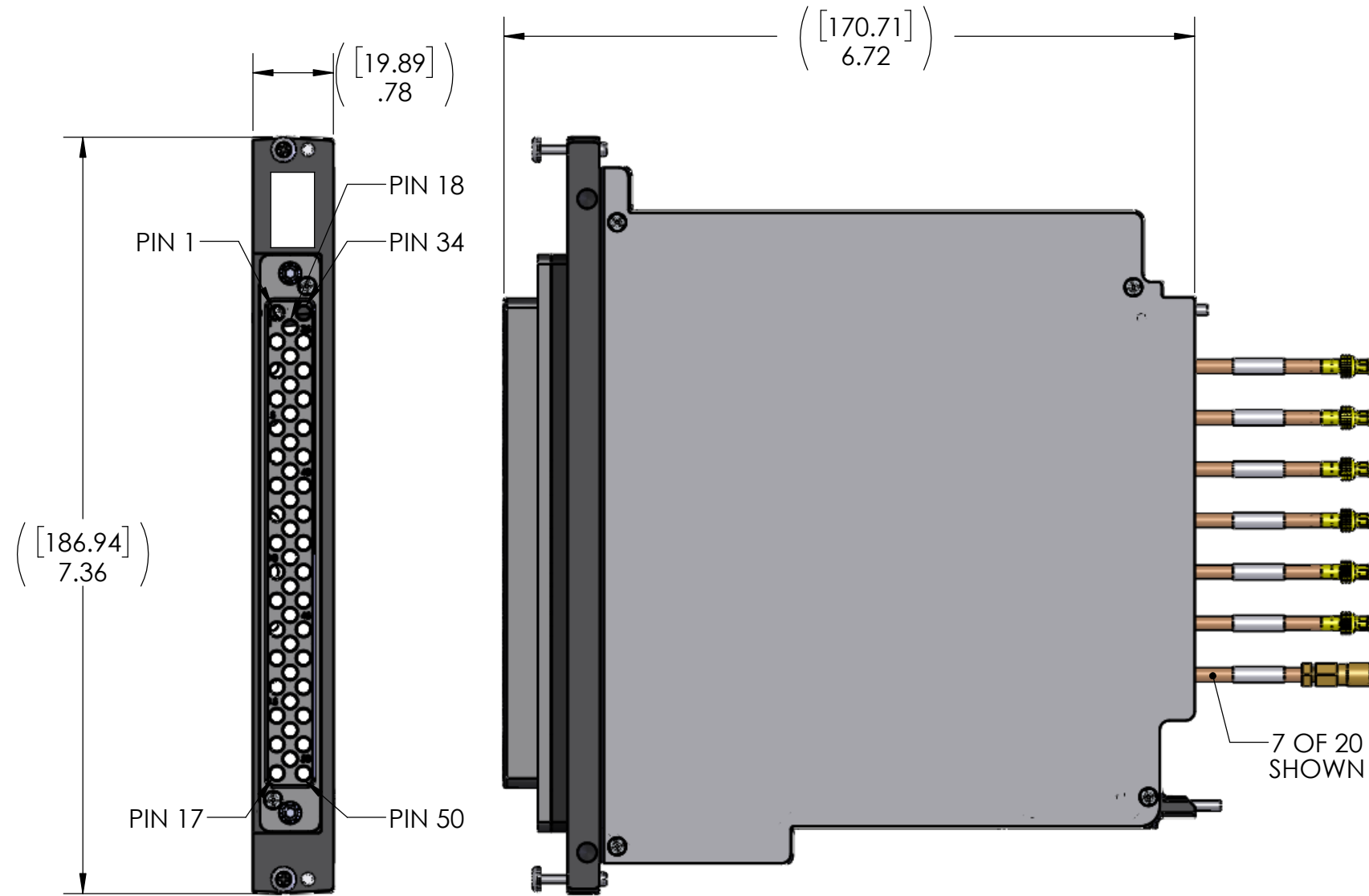


DO NOT SCALE DRAWING

THE INFORMATION CONTAINED HEREIN IS THE EXCLUSIVE PROPERTY OF VPC AND IS PERMITTED FOR USE BY THE CUSTOMER ONLY. THE DATA SHALL NOT BE DUPLICATED, USED, OR DISCLOSED IN WHOLE OR IN PART FOR ANY PURPOSE OTHER THAN TO MAINTAIN THE EQUIPMENT PROVIDED. CONSULT WITH VPC ENGINEERING IF MORE DETAIL IS REQUIRED.

REV	DESCRIPTION	DATE	ENGINEER
A	ORIGINAL RELEASE -ECN# 14158	5/1/2024	K JOHNSON



Run #	From Location (Conn - Pin)	From Contact	Wire AWG	Wire/Patchcord P/N	Wire Color	To Location (Conn-Pin)	To Contact
1	P1-1	610140101	RG316	7-362116582-008	TAN	FLYING LEAD	260173
2	P1-2	610140101	RG316	7-362116582-008	TAN	FLYING LEAD	260173
3	P1-3	610140101	RG316	7-362116582-008	TAN	FLYING LEAD	260173
4	P1-4	610140101	RG316	7-362116582-008	TAN	FLYING LEAD	260173
5	P1-5	610140101	RG316	7-362116582-008	TAN	FLYING LEAD	260173
6	P1-6	610140101	RG316	7-362116582-008	TAN	FLYING LEAD	260173
7	P1-7	610140101	RG316	7-362116582-008	TAN	FLYING LEAD	260173
8	P1-8	610140101	RG316	7-362116582-008	TAN	FLYING LEAD	260173
9	P1-9	610140101	RG316	7-362116582-008	TAN	FLYING LEAD	260173
10	P1-10	610140101	RG316	7-361116527-008	TAN	FLYING LEAD	008550
11	P1-34	610140101	RG316	7-362116582-008	TAN	FLYING LEAD	260173
12	P1-35	610140101	RG316	7-362116582-008	TAN	FLYING LEAD	260173
13	P1-36	610140101	RG316	7-362116582-008	TAN	FLYING LEAD	260173
14	P1-37	610140101	RG316	7-362116582-008	TAN	FLYING LEAD	260173
15	P1-38	610140101	RG316	7-362116582-008	TAN	FLYING LEAD	260173
16	P1-39	610140101	RG316	7-362116582-008	TAN	FLYING LEAD	260173
17	P1-40	610140101	RG316	7-362116582-008	TAN	FLYING LEAD	260173
18	P1-41	610140101	RG316	7-362116582-008	TAN	FLYING LEAD	260173
19	P1-42	610140101	RG316	7-362116582-008	TAN	FLYING LEAD	260173
20	P1-43	610140101	RG316	7-361116527-008	TAN	FLYING LEAD	008550

MATING MODULE: 510108262  
MATING PATCHCORDS: 7-361116000-036

1. FOR MORE INFORMATION VISIT VPC.COM

NOTES:

RELATIVE CONNECTOR POSITIONS AND WIRE ROUTING ARE GENERIC AND MAY VARY WITH PINOUT  
DIMENSIONS ARE SHOWN AS:  
[MILLIMETERS]  
INCHES

**CUSTOMER DRAWING**

PTA NI PXI-2593

DWG.NO.	<b>510140119</b>	REV	<b>A</b>
SIZE	SCALE	CAGE CODE	SHEET
B	NONE	18117	1 OF 1