

4

3

2

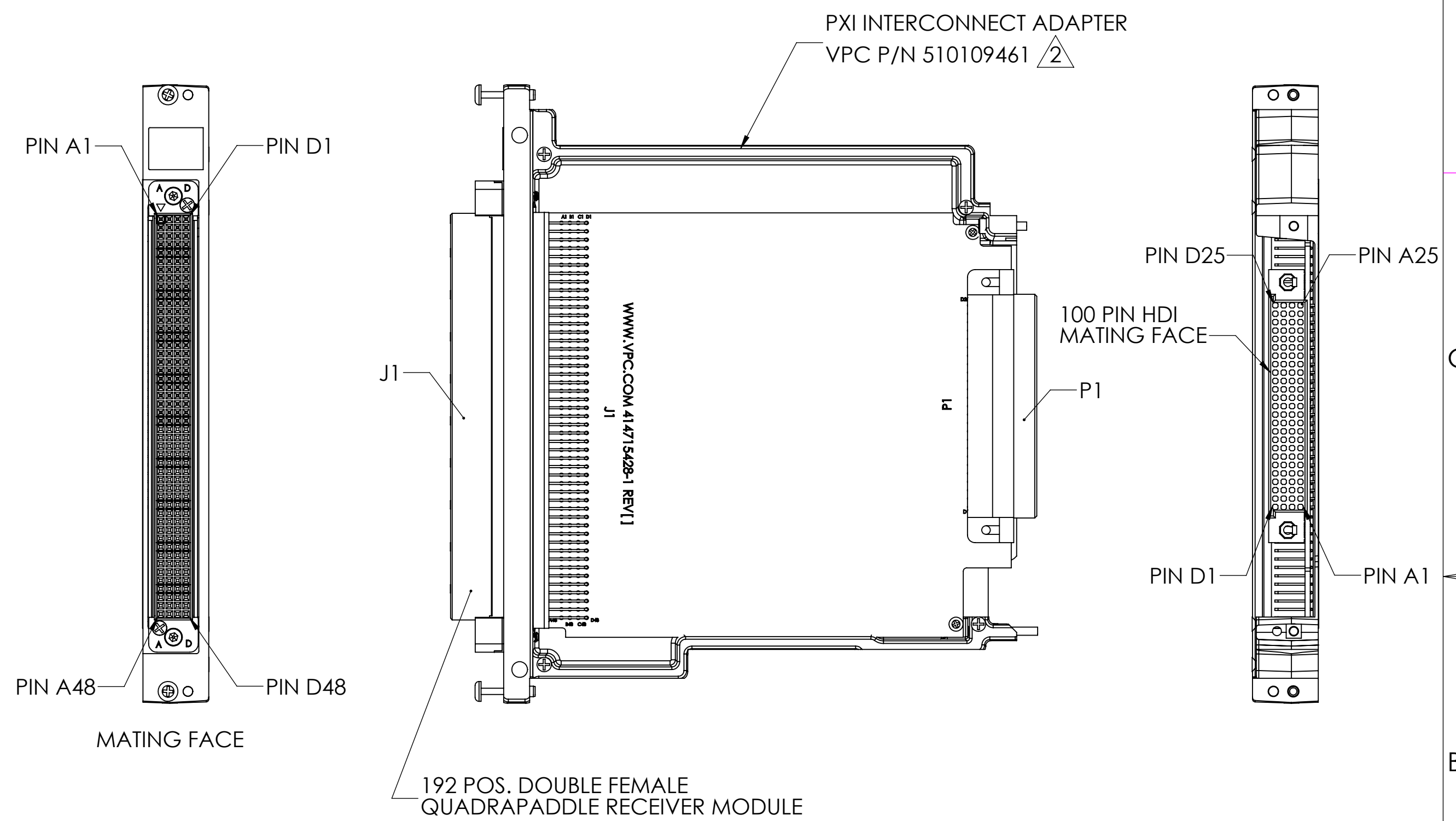
1

DO NOT SCALE DRAWING

THE INFORMATION CONTAINED HEREIN IS THE EXCLUSIVE PROPERTY OF VIRGINIA PANEL CORPORATION AND IS SUBMITTED FOR USE BY THE CUSTOMER ONLY. THE DATA SHALL NOT BE DUPLICATED, USED, OR DISCLOSED IN WHOLE OR IN PART FOR ANY PURPOSE OTHER THAN TO MAINTAIN THE EQUIPMENT PROVIDED. CONSULT WITH VIRGINIA PANEL CORPORATION ENGINEERING IF MORE DETAIL IS REQUIRED.

| REVISIONS | | | |
|-----------|-------------|---------|----------|
| REV | DESCRIPTION | DATE | ENGR |
| D | ECN #12638 | 6/16/22 | R HERRON |

| FROM | TO | FROM | TO | FROM | TO | FROM | TO |
|--------|--------|--------|--------|--------|--------|--------|--------|
| J1-A1 | P1-A25 | J1-B1 | P1-B25 | J1-C1 | P1-C25 | J1-D1 | P1-D25 |
| J1-A2 | P1-A24 | J1-B2 | P1-B24 | J1-C2 | P1-C24 | J1-D2 | P1-D24 |
| J1-A3 | P1-A23 | J1-B3 | P1-B23 | J1-C3 | P1-C23 | J1-D3 | P1-D23 |
| J1-A4 | P1-A22 | J1-B4 | P1-B22 | J1-C4 | P1-C22 | J1-D4 | P1-D22 |
| J1-A5 | P1-A21 | J1-B5 | P1-B21 | J1-C5 | P1-C21 | J1-D5 | P1-D21 |
| J1-A6 | P1-A20 | J1-B6 | P1-B20 | J1-C6 | P1-C20 | J1-D6 | P1-D20 |
| J1-A7 | P1-A19 | J1-B7 | P1-B19 | J1-C7 | P1-C19 | J1-D7 | P1-D19 |
| J1-A8 | P1-A18 | J1-B8 | P1-B18 | J1-C8 | P1-C18 | J1-D8 | P1-D18 |
| J1-A9 | P1-A17 | J1-B9 | P1-B17 | J1-C9 | P1-C17 | J1-D9 | P1-D17 |
| J1-A10 | P1-A16 | J1-B10 | P1-B16 | J1-C10 | P1-C16 | J1-D10 | P1-D16 |
| J1-A11 | P1-A15 | J1-B11 | P1-B15 | J1-C11 | P1-C15 | J1-D11 | P1-D15 |
| J1-A12 | P1-A14 | J1-B12 | P1-B14 | J1-C12 | P1-C14 | J1-D12 | P1-D14 |
| J1-A13 | P1-A13 | J1-B13 | P1-B13 | J1-C13 | P1-C13 | J1-D13 | P1-D13 |
| J1-A14 | P1-A12 | J1-B14 | P1-B12 | J1-C14 | P1-C12 | J1-D14 | P1-D12 |
| J1-A15 | P1-A11 | J1-B15 | P1-B11 | J1-C15 | P1-C11 | J1-D15 | P1-D11 |
| J1-A16 | P1-A10 | J1-B16 | P1-B10 | J1-C16 | P1-C10 | J1-D16 | P1-D10 |
| J1-A17 | P1-A9 | J1-B17 | P1-B9 | J1-C17 | P1-C9 | J1-D17 | P1-D9 |
| J1-A18 | P1-A8 | J1-B18 | P1-B8 | J1-C18 | P1-C8 | J1-D18 | P1-D8 |
| J1-A19 | P1-A7 | J1-B19 | P1-B7 | J1-C19 | P1-C7 | J1-D19 | P1-D7 |
| J1-A20 | P1-A6 | J1-B20 | P1-B6 | J1-C20 | P1-C6 | J1-D20 | P1-D6 |
| J1-A21 | P1-A5 | J1-B21 | P1-B5 | J1-C21 | P1-C5 | J1-D21 | P1-D5 |
| J1-A22 | P1-A4 | J1-B22 | P1-B4 | J1-C22 | P1-C4 | J1-D22 | P1-D4 |
| J1-A23 | P1-A3 | J1-B23 | P1-B3 | J1-C23 | P1-C3 | J1-D23 | P1-D3 |
| J1-A24 | P1-A2 | J1-B24 | P1-B2 | J1-C24 | P1-C2 | J1-D24 | P1-D2 |
| J1-A25 | P1-A1 | J1-B25 | P1-B1 | J1-C25 | P1-C1 | J1-D25 | P1-D1 |



3. MATING ITA MODULE: 510151105 (1)
MATING ITA PATCHCORD: 7-121924000-036 (100)

2 510109461 SHOWN WITHOUT COVER.

1. FOR APPLICATION USE & CARE INFORMATION CONSULT VPC USERS GUIDE @WWW.VPC.COM
NOTES:

| | | | |
|--|---|------------------|---------------------------|
| CUSTOMER DRAWING | | | |
| VIRGINIA PANEL CORPORATION WWW.VPC.COM | | | |
| WDA NI PXI-2527 | | | |
| RELATIVE CONNECTOR POSITIONS AND WIRE ROUTING ARE GENERIC AND MAY VARY WITH PINOUT | DIMENSIONS ARE SHOWN AS: [MILLIMETERS] INCHES | SIZE C | CAGE CODE 18117 |
| SCALE: NONE | DWG. NO. 510140135 | REV D | SHEET 1 OF 1 |

4

3

2

1