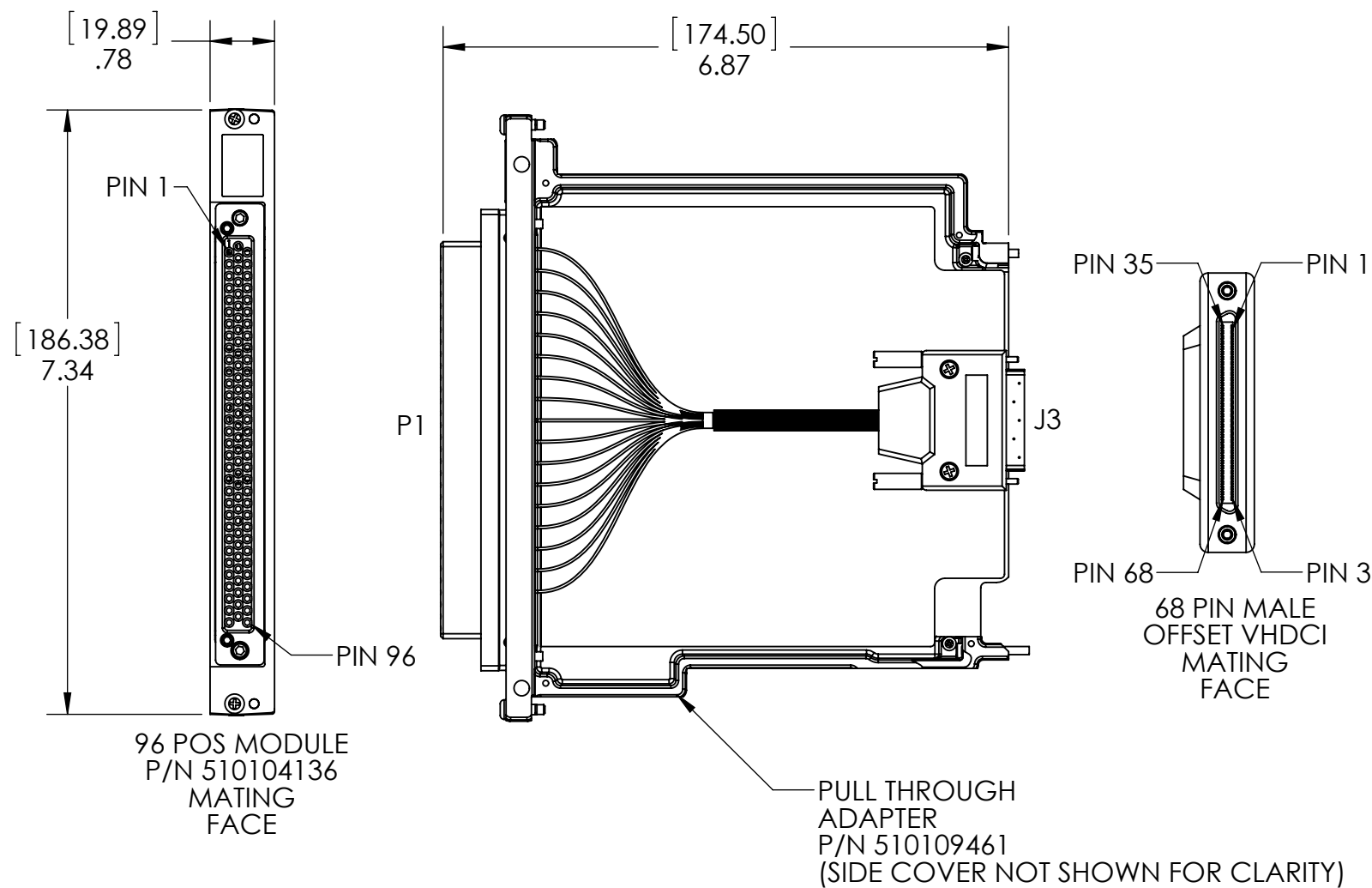


DO NOT SCALE DRAWING

THE INFORMATION CONTAINED HEREIN IS THE EXCLUSIVE PROPERTY OF VIRGINIA PANEL CORPORATION AND IS SUBMITTED FOR USE BY THE CUSTOMER ONLY. THE DATA SHALL NOT BE DUPLICATED, USED, OR DISCLOSED IN WHOLE OR IN PART FOR ANY PURPOSE OTHER THAN TO MAINTAIN THE EQUIPMENT PROVIDED. CONSULT WITH VIRGINIA PANEL CORPORATION ENGINEERING IF MORE DETAIL IS REQUIRED.

REV	DESCRIPTION	DATE	ENGINEER
A	ORIGINAL RELEASE ECN #5805	2/13/15	L HARMAN



Run #	From Conn	From Pin	Color	T/P #	To Conn	To Pin	Run #	From Conn	From Pin	Color	T/P #	To Conn	To Pin
1	P1	1	YEL	1	J3	1	35	P1	35	PNK/RED	18	J3	18
2	P1	2	YEL/BLK	1	J3	35	36	P1	36	PNK/BLU	18	J3	52
3	P1	3	RED	2	J3	2	37	P1	37	GRAY/RED	19	J3	19
4	P1	4	RED/BLK	2	J3	36	38	P1	38	GRAY/BLU	19	J3	53
5	P1	5	BROWN	3	J3	3	39	P1	39	GRN/WHT	20	J3	20
6	P1	6	BRN/WHT	3	J3	37	40	P1	40	LT GRN/BLU	20	J3	54
7	P1	7	LT BLUE	4	J3	4	41	P1	41	YEL/RED	21	J3	21
8	P1	8	LT BLU/BLK	4	J3	38	42	P1	42	YEL/BLU	21	J3	55
9	P1	9	LT BLUE/GRN	5	J3	5	43	P1	43	RED/WHT	22	J3	22
10	P1	10	LT BLU/YEL	5	J3	39	44	P1	44	RED/BLU	22	J3	56
11	P1	11	GRN	6	J3	6	45	P1	45	WHT/RED	23	J3	23
12	P1	12	GRN/BLK	6	J3	40	46	P1	46	WHT/BLU	23	J3	57
13	P1	13	BLUE	7	J3	7	47	P1	47	LT GRN	24	J3	24
14	P1	14	BLU/WHT	7	J3	41	48	P1	48	LT GRN/BLK	24	J3	58
15	P1	15	WHT	8	J3	8	49	P1	49	LT GRN/YEL	25	J3	25
16	P1	16	WHT/BLK	8	J3	42	50	P1	50	LT GRN/GRN	25	J3	59
17	P1	17	PINK	9	J3	9	51	P1	51	ORN/WHT	26	J3	26
18	P1	18	PINK/BLK	9	J3	43	52	P1	52	GRAY/WHT	26	J3	60
19	P1	19	PURPLE	10	J3	10	53	P1	53	ORN/GRN	27	J3	27
20	P1	20	PRP/WHT	10	J3	44	54	P1	54	ORN/RED	27	J3	61
21	P1	21	GRAY	11	J3	11	55	P1	55	PUR/GRN	28	J3	28
22	P1	22	GRAY/BLK	11	J3	45	56	P1	56	PUR/BLU	28	J3	62
23	P1	23	ORANGE	12	J3	12	57	P1	57	PUR/RED	29	J3	29
24	P1	24	ORG/BLK	12	J3	46	58	P1	58	BLU/RED	29	J3	63
25	P1	25	PNK/WHT	13	J3	13	59	P1	59	LT YEL/BLK	30	J3	30
26	P1	26	PNK/YEL	13	J3	47	60	P1	60	YEL/WHT	30	J3	64
27	P1	27	GRAY/GRN	14	J3	14	61	P1	61	LT YEL/GRN	31	J3	31
28	P1	28	GRAY/YEL	14	J3	48	62	P1	62	LT YEL/BLU	31	J3	65
29	P1	29	WHT/YEL	15	J3	15	63	P1	63	LT YEL	32	J3	32
30	P1	30	WHT/GRN	15	J3	49	64	P1	64	LT YEL/RED	32	J3	66
31	P1	31	LT GRN/RD	16	J3	16	65	P1	65	LT BRN	33	J3	33
32	P1	32	GRN/BLU	16	J3	50	66	P1	66	LT BRN/RED	33	J3	67
33	P1	33	LT BLU/BLU	17	J3	17	67	P1	67	BLACK	34	J3	34
34	P1	34	LT BLU/RED	17	J3	51	68	P1	68	BLK/WHT	34	J3	68
							69	P1	69	WHT	-	J3	SHIELD

2. MATING ITA MODULE P/N 510108126 QTY 1
MATING 36" ITA PATCHCORDS 7-103964000-036 QTY 69.

1. FOR APPLICATION USE AND CARE INFORMATION CONSULT VPC USERS GUIDE @ WWW.VPC.COM

NOTES:

CUSTOMER DRAWING



PTA WRD SIG 68 PIN VHDCI MALE

RELATIVE CONNECTOR POSITIONS AND WIRE ROUTING ARE GENERIC AND MAY VARY WITH PINOUT		DIMENSIONS ARE SHOWN AS:		DWG.NO.	REV
[MILLIMETERS]		INCHES		510140197	A
SIZE	SCALE	CAGE CODE	SHEET		
B	NONE	18117	1 OF 1		