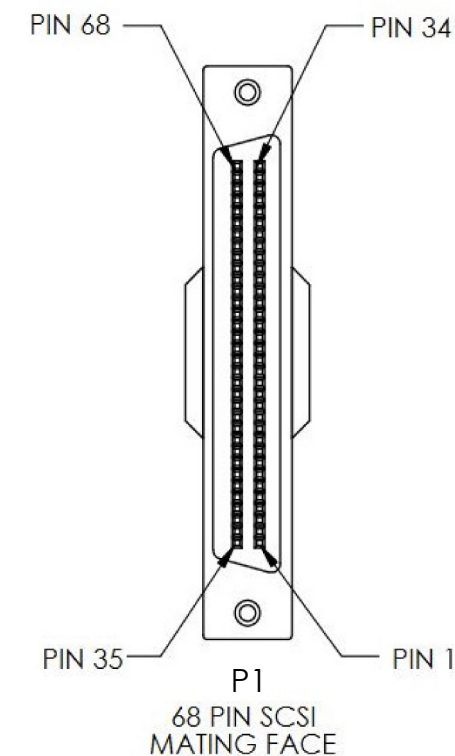
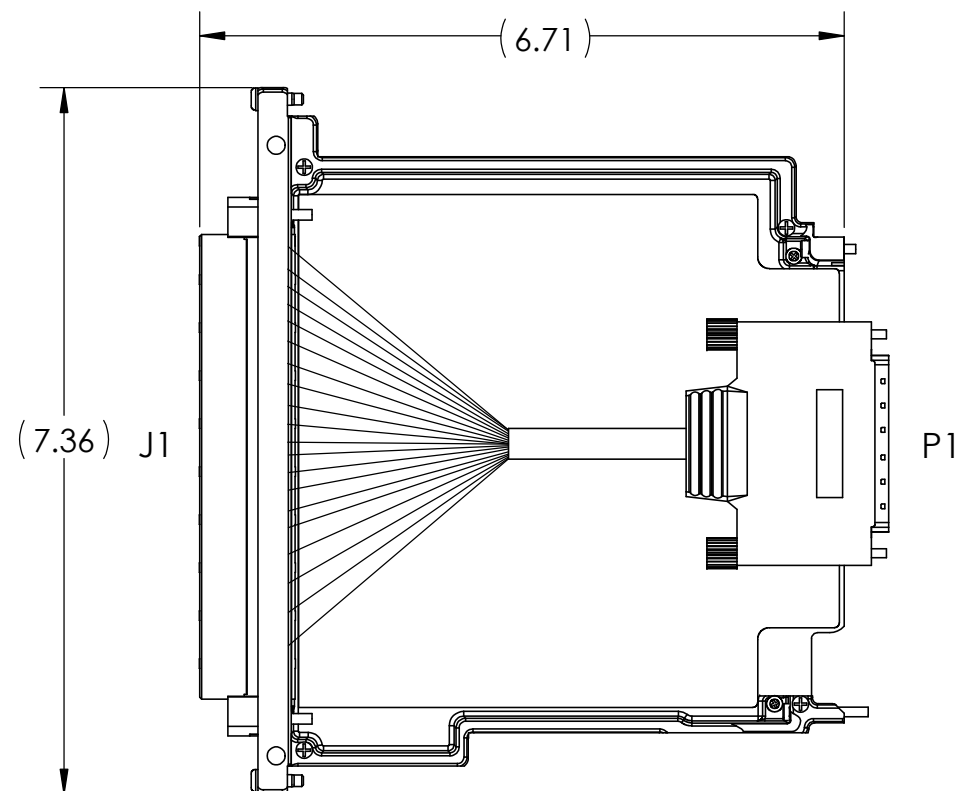
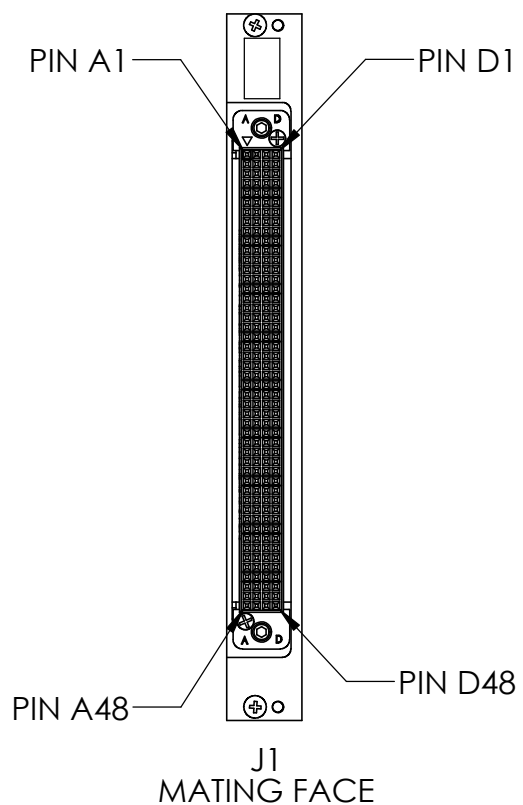


DO NOT SCALE DRAWING

THE INFORMATION CONTAINED HEREIN IS THE EXCLUSIVE PROPERTY OF VIRGINIA PANEL CORPORATION AND IS SUBMITTED FOR USE BY THE CUSTOMER ONLY. THE DATA SHALL NOT BE DUPLICATED, USED, OR DISCLOSED IN WHOLE OR IN PART FOR ANY PURPOSE OTHER THAN TO MAINTAIN THE EQUIPMENT PROVIDED. CONSULT WITH VIRGINIA PANEL CORPORATION ENGINEERING IF MORE DETAIL IS REQUIRED.

REVISIONS			
REV	DESCRIPTION	DATE	ENGR
A	ORIGINAL RELEASE ECN #9450	9/10/2019	M CRUZ



2. MATING MODULE: 510151105 (1)
MATING PATCHCORDS: 7-121924000-36 (86)

1. FOR APPLICATION USE AND CARE INFORMATION CONSULT VPC USERS GUIDE @ WWW.VPC.COM

NOTES:

RELATIVE CONNECTOR POSITIONS
AND WIRE ROUTING ARE GENERIC
AND MAY VARY WITH PINOUT

DIMENSIONS ARE SHOWN AS:
[MILLIMETERS]
INCHES

CUSTOMER DRAWING

**PTA RCV QP TO
68PN SCSI FML**

DWG.NO.	510140251	REV	A
SIZE	SCALE	CAGE CODE	SHEET
B	NONE	18117	1 OF 2

Run #	From Location (Conn - Pin)	Wire AWG	Wire/Patchcord P/N	T/P #	To Location (Conn - Pin)	Signal Desc	Contact
1	J1-A1	30	268050	1	P1-34	PFI31/P0.31/CTR 2 SOURCE	68 PIN SCSI
2	J1-A2	30	268050		P1-68	D GND	
3	J1-A3	30	268050	2	P1-67	PFI30/P0.30/CTR 2 GATE	
4	J1-A4	30	268050		P1-68	D GND	
5	J1-A5	30	268050	3	P1-32	PFI 28P0.28/CTR 2 OUT	
6	J1-A6	30	268050		P1-33	D GND	
7	J1-A7	30	268050	4	P1-66	PFI 29/P0.29/CTR 2AUX	
8	J1-A8	30	268050		P1-33	D GND	
9	J1-A9	30	268050	5	P1-31	PFI 27/P0.27/CTR 3 SOURCE	
10	J1-A10	30	268050		P1-65	D GND	
11	J1-A11	30	268050	6	P1-64	PFI 26/P0.26/CTR 3 GATE	
12	J1-A12	30	268050		P1-65	D GND	
13	J1-A13	30	268050	7	P1-29	PFI 24P0.24/CTR 3 OUT	
14	J1-A14	30	268050		P1-30	D GND	
15	J1-A15	30	268050	8	P1-63	PFI 25/P0.25/CTR 3 AUX	
16	J1-A16	30	268050		P1-30	D GND	
17	J1-A17	30	268050	9	P1-28	PFI 23/P0.23/CTR 4 SOURCE	
18	J1-A18	30	268050		P1-62	D GND	
19	J1-A19	30	268050	10	P1-61	PFI 22/P0.22/CTR 4 GATE	
20	J1-A20	30	268050		P1-62	D GND	
21	J1-A21	30	268050	11	P1-26	PFI 20/P0.22/CTR 4 OUT	
22	J1-A22	30	268050		P1-27	D GND	
23	J1-B1	30	268050	12	P1-60	PFI 21/P0.21/CTR 4 AUX	
24	J1-B2	30	268050		P1-27	D GND	
25	J1-B3	30	268050	13	P1-25	PFI 19/P0.19/CTR 5 SOURCE	
26	J1-B4	30	268050		P1-59	D GND	
27	J1-B5	30	268050	14	P1-58	PFI 18/P0.18/CTR 5 GATE	
28	J1-B6	30	268050		P1-59	D GND	
29	J1-B7	30	268050	15	P1-23	PFI 16/P0.16/CTR 5 OUT	
30	J1-B8	30	268050		P1-24	D GND	
31	J1-B9	30	268050	16	P1-57	PFI 17/P0.17/CTR 5 AUX	
32	J1-B10	30	268050		P1-24	D GND	
33	J1-B11	30	268050	17	P1-22	PFI 15/P0.15/CTR 6 SOURCE	
34	J1-B12	30	268050		P1-55	D GND	
35	J1-B13	30	268050	18	P1-21	PFI 14/P0.14/CTR 6 GATE	
36	J1-B14	30	268050		P1-55	D GND	
37	J1-B15	30	268050	19	P1-54	PFI 13/P0.13/CTR 6 AUX	
38	J1-B16	30	268050		P1-20	D GND	
39	J1-B17	30	268050	20	P1-53	PFI 12/P0.12/CTR 6 OUT	
40	J1-B18	30	268050		P1-20	D GND	
41	J1-B19	30	268050	21	P1-52	PFI 11/P0.11/CTR 7 SOURCE	
42	J1-B20	30	268050		P1-18	D GND	
43	J1-B21	30	268050	22	P1-51	PFI 10/P0.10/CTR 7 GATE	
44	J1-B22	30	268050		P1-18	D GND	

Run #	From Location (Conn - Pin)	Wire AWG	Wire/Patchcord P/N	T/P #	To Location (Conn - Pin)	Signal Desc	Contact
45	J1-C1	30	268050	23	P1-17	PFI 9/P0.9/CTR 7 AUX	68 PIN SCSI
46	J1-C2	30	268050		P1-50	D GND	
47	J1-C3	30	268050	24	P1-16	PFI 8/P0.8/CTR 7 OUT	
48	J1-C4	30	268050		P1-50	D GND	
49	J1-C5	30	268050	25	P1-15	PFI 7/P0.7	
50	J1-C6	30	268050		P1-49	D GND	
51	J1-C7	30	268050	26	P1-48	PFI 6/P0.6	
52	J1-C8	30	268050		P1-49	D GND	
53	J1-C9	30	268050	27	P1-13	PFI 4/P0.4	
54	J1-C10	30	268050		P1-14	D GND	
55	J1-C11	30	268050	28	P1-47	PFI 5/P0.5	
56	J1-C12	30	268050		P1-14	D GND	
57	J1-C13	30	268050	29	P1-12	PFI 3/P0.3	
58	J1-C14	30	268050		P1-46	D GND	
59	J1-C15	30	268050	30	P1-45	PFI 2/P0.2	
60	J1-C16	30	268050		P1-46	D GND	
61	J1-C17	30	268050	31	P1-10	PFI 0/P0.0	
62	J1-C18	30	268050		P1-11	D GND	
63	J1-C19	30	268050	32	P1-44	PFI 1/P0.1	
64	J1-C20	30	268050		P1-11	D GND	
65	J1-C21	30	268050	33	P1-9	PFI 32/P1.0/CTR 1 OUT	
66	J1-C22	30	268050		P1-42	D GND	
67	J1-D1	30	268050	34	P1-8	PFI 34/P1.2/CTR 1 GATE	
68	J1-D2	30	268050		P1-42	D GND	
69	J1-D3	30	268050	35	P1-7	PFI 35/P1.3/CTR 1 SOURCE	
70	J1-D4	30	268050		P1-41	D GND	
71	J1-D5	30	268050	36	P1-40	PFI 37/P1.5/CTR 0 AUX	
72	J1-D6	30	268050		P1-41	D GND	
73	J1-D7	30	268050	37	P1-6	PFI 33/PFI1.1/CTR 1 AUX	
74	J1-D8	30	268050		P1-39	D GND	
75	J1-D9	30	268050	38	P1-5	PFI 36/P1.4/CTR 0 OUT	
76	J1-D10	30	268050		P1-39	D GND	
77	J1-D11	30	268050	39	P1-4	RESERVED	
78	J1-D12	30	268050		P1-37	RESERVED	
79	J1-D13	30	268050	40	P1-38	RESERVED	
80	J1-D14	30	268050		P1-37	RESERVED	
81	J1-D15	30	268050	41	P1-3	PFI 38/P1.6/CTR 0 GATE	
82	J1-D16	30	268050		P1-36	D GND	
83	J1-D17	30	268050	42	P1-2	PFI 39/P1.7/CTR 0 SOURCE	
84	J1-D18	30	268050		P1-36	D GND	
85	J1-D19	30	268050	43	P1-1	+5V	
86	NC	30	268050		NC	R GND	
87	J1-D21	28	SHIELD	-	SHELL	SHELL	

CUSTOMER DRAWING - CUSTOMER DRAWING - CUSTOMER DRAWING

THE INFORMATION CONTAINED HEREIN IS THE EXCLUSIVE PROPERTY OF VIRGINIA PANEL CORPORATION AND IS SUBMITTED FOR USE BY THE CUSTOMER ONLY. THE DATA SHALL NOT BE DUPLICATED, USED, OR DISCLOSED IN WHOLE OR IN PART FOR ANY PURPOSE OTHER THAN TO MAINTAIN THE EQUIPMENT PROVIDED.

DWG.NO.		510140251		REV	A
SIZE	SCALE	CAGE CODE	SHEET		
B	NONE	18117	2 OF 2		

DO NOT SCALE DRAWING