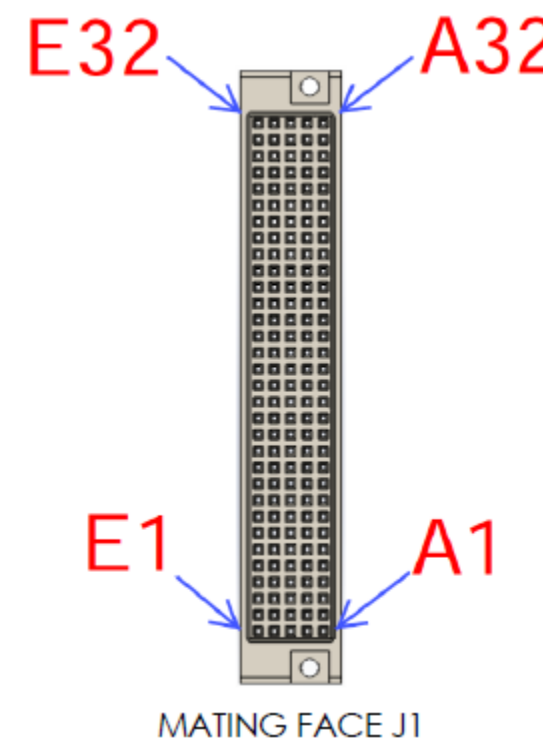
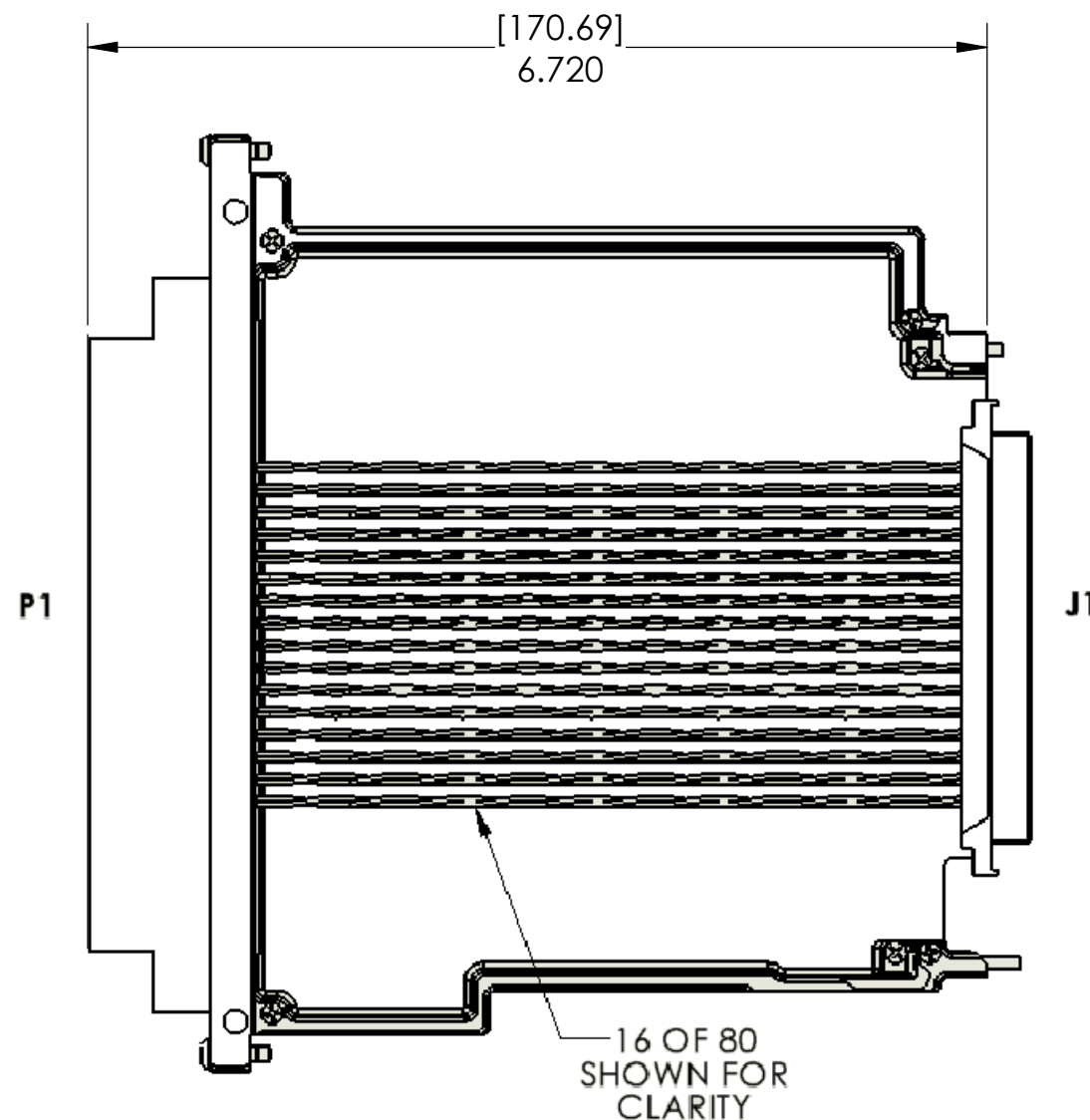
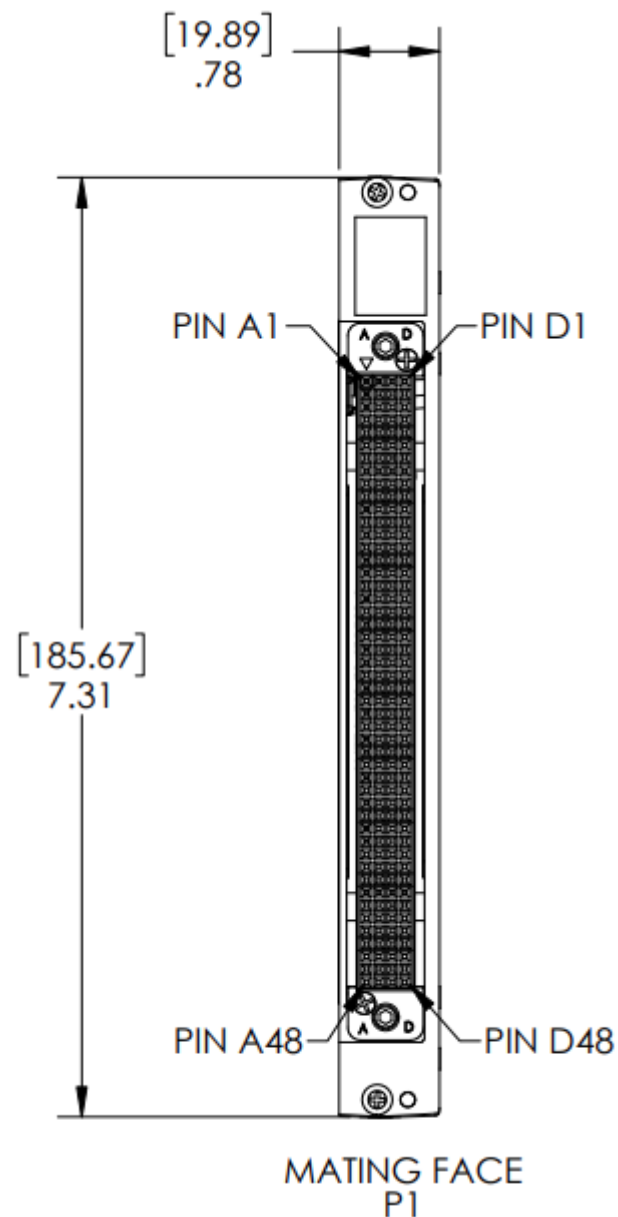


DO NOT SCALE DRAWING

THE INFORMATION CONTAINED HEREIN IS THE EXCLUSIVE PROPERTY OF VIRGINIA PANEL CORPORATION AND IS SUBMITTED FOR USE BY THE CUSTOMER ONLY. THE DATA SHALL NOT BE DUPLICATED, USED, OR DISCLOSED IN WHOLE OR IN PART FOR ANY PURPOSE OTHER THAN TO MAINTAIN THE EQUIPMENT PROVIDED. CONSULT WITH VIRGINIA PANEL CORPORATION ENGINEERING IF MORE DETAIL IS REQUIRED.

REV	DESCRIPTION	DATE	ENGINEER
E	ECN #13989	2/7/2024	E HESS



MATING MODULE: 510151105 (1)
MATING PATCHCORDS: 7-121424000-036 (80)

1. FOR APPLICATION USE AND CARE INFORMATION CONSULT VPC USERS GUIDE @ WWW.VPC.COM

NOTES:

RELATIVE CONNECTOR POSITIONS AND WIRE ROUTING ARE GENERIC AND MAY VARY WITH PINOUT
DIMENSIONS ARE SHOWN AS:
[MILLIMETERS]
INCHES

CUSTOMER DRAWING

PTA PICKERING
40-139-101

DWG.NO.	510140254	REV	E
SIZE	SCALE	CAGE CODE	SHEET
B	NONE	18117	1 OF 3

4

3

2

1

Run #	From Location (Conn - Pin)	AWG	Wire/Patchcord P/N	Color	T/P #	To Location (Conn - Pin)	Notes
1	P1-D48	24 T/P	7-124424536-008	WHT	1	J1-A1	
2	P1-C48	↑	↑	BLK	↑	J1-B1	
3	P1-B48	24 T/P	7-124424536-008	WHT	2	J1-A2	
4	P1-A48	↑	↑	BLK	↑	J1-B2	
5	P1-D47	24 T/P	7-124424536-008	WHT	3	J1-A3	
6	P1-C47	↑	↑	BLK	↑	J1-B3	
7	P1-B47	24 T/P	7-124424536-008	WHT	4	J1-A4	
8	P1-A47	↑	↑	BLK	↑	J1-B4	
9	P1-B42	24 T/P	7-124424536-008	WHT	5	J1-C1	
10	P1-A42	↑	↑	BLK	↑	J1-C2	
11	P1-D41	24 T/P	7-124424536-008	WHT	6	J1-C3	
12	P1-C41	↑	↑	BLK	↑	J1-C4	
13	P1-D35	24 T/P	7-124424536-008	WHT	7	J1-A5	
14	P1-C35	↑	↑	BLK	↑	J1-B5	
15	P1-B35	24 T/P	7-124424536-008	WHT	8	J1-A6	
16	P1-A35	↑	↑	BLK	↑	J1-B6	
17	P1-D34	24 T/P	7-124424536-008	WHT	9	J1-A7	
18	P1-C34	↑	↑	BLK	↑	J1-B7	
19	P1-B29	24 T/P	7-124424536-008	WHT	10	J1-A8	
20	P1-A29	↑	↑	BLK	↑	J1-B8	
21	P1-D28	24 T/P	7-124424536-008	WHT	11	J1-C5	
22	P1-C28	↑	↑	BLK	↑	J1-C6	
23	P1-B28	24 T/P	7-124424536-008	WHT	12	J1-C7	
24	P1-A28	↑	↑	BLK	↑	J1-C8	
25	P1-D45	24 T/P	7-124424536-008	WHT	13	J1-A9	
26	P1-C45	↑	↑	BLK	↑	J1-B9	
27	P1-A46	24 T/P	7-124424536-008	WHT	14	J1-A10	
28	P1-B46	↑	↑	BLK	↑	J1-B10	
29	P1-C46	24 T/P	7-124424536-008	WHT	15	J1-A11	
30	P1-D46	↑	↑	BLK	↑	J1-B11	
31	P1-A40	24 T/P	7-124424536-008	WHT	16	J1-A12	
32	P1-B40	↑	↑	BLK	↑	J1-B12	
33	P1-C40	24 T/P	7-124424536-008	WHT	17	J1-C9	
34	P1-D40	↑	↑	BLK	↑	J1-C10	
35	P1-A41	24 T/P	7-124424536-008	WHT	18	J1-C11	
36	P1-B41	↑	↑	BLK	↑	J1-C12	
37	P1-C32	24 T/P	7-124424536-008	WHT	19	J1-A13	
38	P1-D32	↑	↑	BLK	↑	J1-B13	
39	P1-A33	24 T/P	7-124424536-008	WHT	20	J1-A14	
40	P1-B33	↑	↑	BLK	↑	J1-B14	
41	P1-D27	24 T/P	7-124424536-008	WHT	21	J1-A15	
42	P1-C27	↑	↑	BLK	↑	J1-B15	
43	P1-D22	24 T/P	7-124424536-008	WHT	22	J1-A16	
44	P1-C22	↑	↑	BLK	↑	J1-B16	
45	P1-B22	24 T/P	7-124424536-008	WHT	23	J1-C13	
46	P1-A22	↑	↑	BLK	↑	J1-C14	
47	P1-D21	24 T/P	7-124424536-008	WHT	24	J1-C15	
48	P1-C21	↑	↑	BLK	↑	J1-C16	
49	P1-B16	24 T/P	7-124424536-008	WHT	25	J1-A17	
50	P1-A16	↑	↑	BLK	↑	J1-B17	

Run #	From Location (Conn - Pin)	AWG	Wire/Patchcord P/N	Color	T/P #	To Location (Conn - Pin)	Notes
51	P1-D15	24 T/P	7-124424536-008	WHT	26	J1-A18	
52	P1-C15	↑	↑	BLK	↑	J1-B18	
53	P1-B15	24 T/P	7-124424536-008	WHT	27	J1-A19	
54	P1-A15	↑	↑	BLK	↑	J1-B19	
55	P1-D9	24 T/P	7-124424536-008	WHT	28	J1-A20	
56	P1-C9	↑	↑	BLK	↑	J1-B20	
57	P1-B9	24 T/P	7-124424536-008	WHT	29	J1-C17	
58	P1-A9	↑	↑	BLK	↑	J1-C18	
59	P1-D8	24 T/P	7-124424536-008	WHT	30	J1-C19	
60	P1-C8	↑	↑	BLK	↑	J1-C20	
61	P1-B3	24 T/P	7-124424536-008	WHT	31	J1-A21	
62	P1-A3	↑	↑	BLK	↑	J1-B21	
63	P1-D2	24 T/P	7-124424536-008	WHT	32	J1-A22	
64	P1-C2	↑	↑	BLK	↑	J1-B22	
65	P1-A27	24 T/P	7-124424536-008	WHT	33	J1-A23	
66	P1-B27	↑	↑	BLK	↑	J1-B23	
67	P1-A20	24 T/P	7-124424536-008	WHT	34	J1-A24	
68	P1-B20	↑	↑	BLK	↑	J1-B24	
69	P1-C20	24 T/P	7-124424536-008	WHT	35	J1-C21	
70	P1-D20	↑	↑	BLK	↑	J1-C22	
71	P1-A21	24 T/P	7-124424536-008	WHT	36	J1-C23	
72	P1-B21	↑	↑	BLK	↑	J1-C24	
73	P1-C13	24 T/P	7-124424536-008	WHT	37	J1-A25	
74	P1-D13	↑	↑	BLK	↑	J1-B25	
75	P1-A14	24 T/P	7-124424536-008	WHT	38	J1-A26	
76	P1-B14	↑	↑	BLK	↑	J1-B26	
77	P1-C14	24 T/P	7-124424536-008	WHT	39	J1-A27	
78	P1-D14	↑	↑	BLK	↑	J1-B27	
79	P1-C6	24 T/P	7-124424536-008	WHT	40	J1-A28	
80	P1-D6	↑	↑	BLK	↑	J1-B28	
81	P1-C33	24 T/P	7-124424536-008	WHT	41	J1-C25	
82	P1-D33	↑	↑	BLK	↑	J1-C26	
83	P1-A34	24 T/P	7-124424536-008	WHT	42	J1-C27	
84	P1-B34	↑	↑	BLK	↑	J1-C28	
85	P1-A26	24 T/P	7-124424536-008	WHT	43	J1-A29	
86	P1-B26	↑	↑	BLK	↑	J1-B29	
87	P1-C26	24 T/P	7-124424536-008	WHT	44	J1-A30	
88	P1-D26	↑	↑	BLK	↑	J1-B30	
89	P1-B45	24 T/P	7-124424536-008	WHT	45	J1-A31	
90	P1-A45	↑	↑	BLK	↑	J1-B31	
91	P1-D44	24 T/P	7-124424536-008	WHT	46	J1-A32	
92	P1-C44	↑	↑	BLK	↑	J1-B32	
93	P1-B44	24 T/P	7-124424536-008	WHT	47	J1-C29	
94	P1-A44	↑	↑	BLK	↑	J1-C30	
95	P1-D39	24 T/P	7-124424536-008	WHT	48	J1-C31	
96	P1-C39	↑	↑	BLK	↑	J1-C32	
97	P1-B39	24 T/P	7-124424536-008	WHT	49	J1-D1	
98	P1-A39	↑	↑	BLK	↑	J1-E1	
99	P1-D38	24 T/P	7-124424536-008	WHT	50	J1-D2	
100	P1-C38	↑	↑	BLK	↑	J1-E2	

CUSTOMER DRAWING - CUSTOMER DRAWING - CUSTOMER DRAWING

THE INFORMATION CONTAINED HEREIN IS THE EXCLUSIVE PROPERTY OF VPC AND IS PERMITTED FOR USE BY THE CUSTOMER ONLY. THE DATA SHALL NOT BE DUPLICATED, USED, OR DISCLOSED IN WHOLE OR IN PART FOR ANY PURPOSE OTHER THAN TO MAINTAIN THE EQUIPMENT PROVIDED.

DWG.NO.		510140254		REV	E
SIZE	SCALE	CAGE CODE	SHEET		
B	NONE	18117	2 OF 3		

DO NOT SCALE DRAWING

4

3

2

1

D

D

C

C

B

B

A

A

4

3

2

1

Run #	From Location (Conn - Pin)	AWG	Wire/Patchcord P/N	Color	T/P #	To Location (Conn - Pin)	Notes
101	P1-B38	24 T/P	7-124424536-008	WHT	51	J1-D3	
102	P1-A38	↑	↑	BLK	↑	J1-E3	
103	P1-B32	24 T/P	7-124424536-008	WHT	52	J1-D4	
104	P1-A32	↑	↑	BLK	↑	J1-E4	
105	P1-D31	24 T/P	7-124424536-008	WHT	53	J1-D5	
106	P1-C31	↑	↑	BLK	↑	J1-E5	
107	P1-B31	24 T/P	7-124424536-008	WHT	54	J1-D6	
108	P1-A31	↑	↑	BLK	↑	J1-E6	
109	P1-D25	24 T/P	7-124424536-008	WHT	55	J1-D7	
110	P1-C25	↑	↑	BLK	↑	J1-E7	
111	P1-B25	24 T/P	7-124424536-008	WHT	56	J1-D8	
112	P1-A25	↑	↑	BLK	↑	J1-E8	
113	P1-C42	24 T/P	7-124424536-008	WHT	57	J1-D9	
114	P1-D42	↑	↑	BLK	↑	J1-E9	
115	P1-A43	24 T/P	7-124424536-008	WHT	58	J1-D10	
116	P1-B43	↑	↑	BLK	↑	J1-E10	
117	P1-C43	24 T/P	7-124424536-008	WHT	59	J1-D11	
118	P1-D43	↑	↑	BLK	↑	J1-E11	
119	P1-A36	24 T/P	7-124424536-008	WHT	60	J1-D12	
120	P1-B36	↑	↑	BLK	↑	J1-E12	
121	P1-A7	24 T/P	7-124424536-008	WHT	61	J1-D13	
122	P1-B7	↑	↑	BLK	↑	J1-E13	
123	P1-C7	24 T/P	7-124424536-008	WHT	62	J1-D14	
124	P1-D7	↑	↑	BLK	↑	J1-E14	
125	P1-A8	24 T/P	7-124424536-008	WHT	63	J1-D15	
126	P1-B8	↑	↑	BLK	↑	J1-E15	
127	P1-A2	24 T/P	7-124424536-008	WHT	64	J1-D16	
128	P1-B2	↑	↑	BLK	↑	J1-E16	
129	P1-D24	24 T/P	7-124424536-008	WHT	65	J1-D17	
130	P1-C24	↑	↑	BLK	↑	J1-E17	
131	P1-D19	24 T/P	7-124424536-008	WHT	66	J1-D18	
132	P1-C19	↑	↑	BLK	↑	J1-E18	
133	P1-B19	24 T/P	7-124424536-008	WHT	67	J1-D19	
134	P1-A19	↑	↑	BLK	↑	J1-E19	
135	P1-D18	24 T/P	7-124424536-008	WHT	68	J1-D20	
136	P1-C18	↑	↑	BLK	↑	J1-E20	
137	P1-B13	24 T/P	7-124424536-008	WHT	69	J1-D21	
138	P1-A13	↑	↑	BLK	↑	J1-E21	
139	P1-D12	24 T/P	7-124424536-008	WHT	70	J1-D22	
140	P1-C12	↑	↑	BLK	↑	J1-E22	
141	P1-B12	24 T/P	7-124424536-008	WHT	71	J1-D23	
142	P1-A12	↑	↑	BLK	↑	J1-E23	
143	P1-D11	24 T/P	7-124424536-008	WHT	72	J1-D24	
144	P1-C11	↑	↑	BLK	↑	J1-E24	
145	P1-B6	24 T/P	7-124424536-008	WHT	73	J1-D25	
146	P1-A6	↑	↑	BLK	↑	J1-E25	
147	P1-D5	24 T/P	7-124424536-008	WHT	74	J1-D26	
148	P1-C5	↑	↑	BLK	↑	J1-E26	
149	P1-B5	24 T/P	7-124424536-008	WHT	75	J1-D27	
150	P1-A5	↑	↑	BLK	↑	J1-E27	

Run #	From Location (Conn - Pin)	AWG	Wire/Patchcord P/N	Color	T/P #	To Location (Conn - Pin)	Notes
151	P1-D1	24 T/P	7-124424536-008	WHT	76	J1-D28	
152	P1-C1	↑	↑	BLK	↑	J1-E28	
153	P1-A24	24 T/P	7-124424536-008	WHT	77	J1-D29	
154	P1-B24	↑	↑	BLK	↑	J1-E29	
155	P1-C16	24 T/P	7-124424536-008	WHT	78	J1-D30	
156	P1-D16	↑	↑	BLK	↑	J1-E30	
157	P1-A17	24 T/P	7-124424536-008	WHT	79	J1-D31	
158	P1-B17	↑	↑	BLK	↑	J1-E31	
159	P1-C17	24 T/P	7-124424536-008	WHT	80	J1-D32	
160	P1-D17	↑	↑	BLK	↑	J1-E32	

CUSTOMER DRAWING - CUSTOMER DRAWING - CUSTOMER DRAWING

THE INFORMATION CONTAINED HEREIN IS THE EXCLUSIVE PROPERTY OF VPC AND IS PERMITTED FOR USE BY THE CUSTOMER ONLY. THE DATA SHALL NOT BE DUPLICATED, USED, OR DISCLOSED IN WHOLE OR IN PART FOR ANY PURPOSE OTHER THAN TO MAINTAIN THE EQUIPMENT PROVIDED.

DWG.NO.		510140254		REV	E
SIZE	SCALE	CAGE CODE	SHEET		
B	NONE	18117	3 OF 3		

DO NOT SCALE DRAWING

4

3

2

1