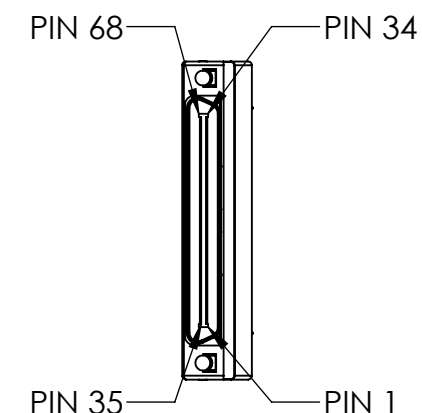
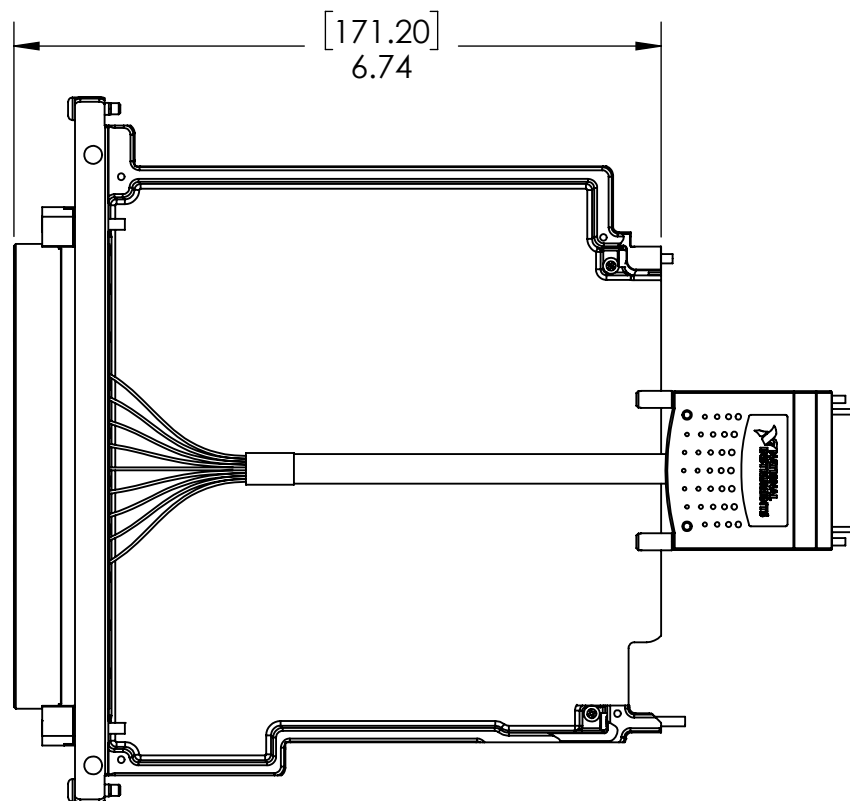
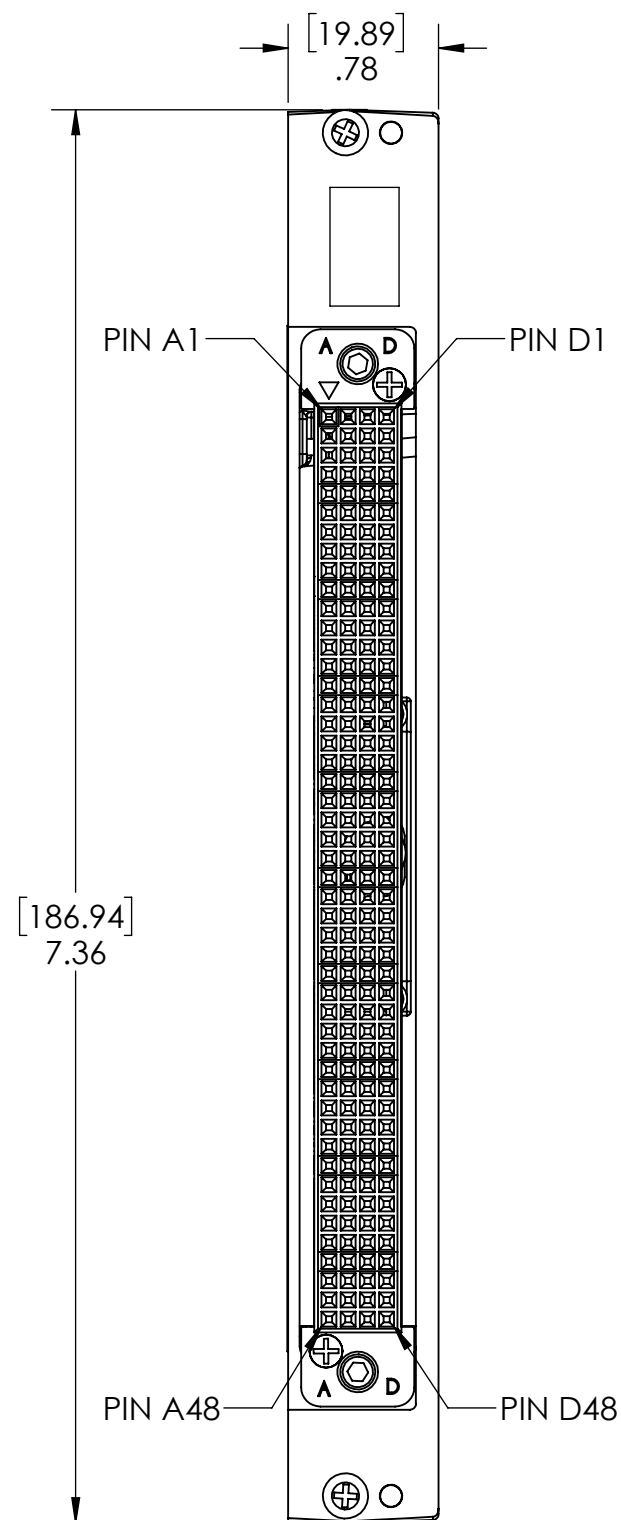


DO NOT SCALE DRAWING


THE INFORMATION CONTAINED HEREIN IS THE EXCLUSIVE PROPERTY OF VIRGINIA PANEL CORPORATION AND IS SUBMITTED FOR USE BY THE CUSTOMER ONLY. THE DATA SHALL NOT BE DUPLICATED, USED, OR DISCLOSED IN WHOLE OR IN PART FOR ANY PURPOSE OTHER THAN TO MAINTAIN THE EQUIPMENT PROVIDED. CONSULT WITH VIRGINIA PANEL CORPORATION ENGINEERING IF MORE DETAIL IS REQUIRED.

REV	DESCRIPTION	DATE	ENGINEER
A	ORIGINAL RELEASE ECN #11633	6/28/2021	C MCCURRY



1. FOR APPLICATION USE AND CARE INFORMATION CONSULT VPC USERS GUIDE @ WWW.VPC.COM

NOTES:

VPC P/N P/N WHERE X =	LENGTH XX.XX"	CUSTOMER DRAWING	
1	20.00" [508]	 PTA WRD PXIe-6386 OS VHDCI ML	
2	36.00" [914]		
6	48.00" [1219]		
9	60.00" [1524]		
5	72.00" [1829]		
RELATIVE CONNECTOR POSITIONS AND WIRE ROUTING ARE GENERIC AND MAY VARY WITH PINOUT		DWG.NO. 510140339 REV A	
DIMENSIONS ARE SHOWN AS: [MILLIMETERS] INCHES		SIZE B	SCALE NONE
		CAGE CODE 18117	SHEET 1 OF 1

MATING MODULE	510151105
MATING PATCHCORD	7-121924000-XXX

Run #	From Location (Conn - Pin)	From Contact	From Signal Desc	Wire AWG	Wire/Patchcord P/N	Wire Color	Wire Group	To Location (Conn-Pin)	To Contact	To Signal Desc	Notes
1	P1-A1	610138216	PFI 14/P2.6	30 T/P	261842	GRAY/BLACK	1	1	68 ML VHDCI	PFI 14/P2.6	
2	P1-B1	610138216	D GND	↑	↑	BLACK/GRAY	↑	35	↑	D GND	
3	P1-C1	610138216	PFI 12/P2.4	30 T/P	↑	RED/BROWN	2	2	↑	PFI 12/P2.4	
4	P1-D1	610138216	D GND	↑	↑	BROWN/RED	↑	36	↑	D GND	
5	P1-A2	610138216	PFI 9/P2.1	30 T/P	↑	BLUE/ORANGE	3	3	↑	PFI 9/P2.1	
6	P1-B2	610138216	D GND	↑	↑	ORANGE/BLUE	↑	36	↑	D GND	
7	P1-C2	610138216	D GND	30 T/P	↑	BLUE/YELLOW	4	4	↑	D GND	
8	P1-D2	610138216	PFI 8/2.0	↑	↑	YELLOW/BLUE	↑	37	↑	PFI 8/2.0	
9	P1-A3	610138216	D GND	30 T/P	↑	ORANGE/BROWN	5	4	↑	D GND	
10	P1-B3	610138216	PFI 7/P1.7	↑	↑	BROWN/ORANGE	↑	38	↑	PFI 7/P1.7	
11	P1-C3	610138216	D GND	30 T/P	↑	ORANGE/GREEN	6	4	↑	D GND	
12	P1-D3	610138216	PFI 6/P1.6	↑	↑	GREEN/ORANGE	↑	5	↑	PFI 6/P1.6	
13	P1-A4	610138216	D GND	30 T/P	↑	YELLOW/BROWN	7	7	↑	D GND	
14	P1-B4	610138216	PFI 15/P2.7	↑	↑	BROWN/YELLOW	↑	39	↑	PFI 15/P2.7	
15	P1-C4	610138216	PFI 5/P1.5	30 T/P	↑	GREEN/BROWN	8	6	↑	PFI 5/P1.5	
16	P1-D4	610138216	D GND	↑	↑	BROWN/GREEN	↑	35	↑	D GND	
17	P1-A5	610138216	D GND	30 T/P	↑	GREEN/YELLOW	9	7	↑	D GND	
18	P1-B5	610138216	PFI 13/P2.5	↑	↑	YELLOW/GREEN	↑	40	↑	PFI 13/P2.5	
19	P1-C5	610138216	D GND	30 T/P	↑	YELLOW/RED	10	7	↑	D GND	
20	P1-D5	610138216	PFI 4/P1.4	↑	↑	RED/YELLOW	↑	41	↑	PFI 4/P1.4	
21	P1-A6	610138216	D GND	30 T/P	↑	BLUE/BROWN	11	9	↑	D GND	
22	P1-B6	610138216	PFI 3/P1.3	↑	↑	BROWN/BLUE	↑	42	↑	PFI 3/P1.3	
23	P1-C6	610138216	D GND	30 T/P	↑	VIOLET/BROWN	12	9	↑	D GND	
24	P1-D6	610138216	PFI 2/P1.2	↑	↑	BROWN/VIOLET	↑	43	↑	PFI 2/P1.2	
25	P1-A7	610138216	PFI 1/P1.1	30 T/P	↑	BLACK/PINK	13	10	↑	PFI 1/P1.1	
26	P1-B7	610138216	D GND	↑	↑	PINK/BLACK	↑	44	↑	D GND	
27	P1-C7	610138216	PFI 0/P1.0	30 T/P	↑	ORANGE/RED	14	11	↑	PFI 0/P1.0	
28	P1-D7	610138216	D GND	↑	↑	RED/ORANGE	↑	44	↑	D GND	
29	P1-A8	610138216	D GND	30 T/P	↑	GRAY/BROWN	15	12	↑	D GND	
30	P1-B8	610138216	PFI 10/P2.2	↑	↑	BROWN/GRAY	↑	45	↑	PFI 10/P2.2	
31	P1-C8	610138216	D GND	30 T/P	↑	ORANGE/BLACK	16	13	↑	D GND	
32	P1-D8	610138216	PFI 11/P2.3	↑	↑	BLACK/ORANGE	↑	46	↑	PFI 11/P2.3	
33	P1-A9	610138216	D GND	30 T/P	↑	ORANGE/YELLOW	17	13	↑	D GND	
34	P1-B9	610138216	P0.3	↑	↑	YELLOW/ORANGE	↑	47	↑	P0.3	
35	P1-C9	610138216	D GND	30 T/P	↑	RED/GRAY	18	15	↑	D GND	
36	P1-D9	610138216	P0.7	↑	↑	GRAY/RED	↑	48	↑	P0.7	
37	P1-A10	610138216	D GND	30 T/P	↑	YELLOW/BLACK	19	15	↑	D GND	
38	P1-B10	610138216	P0.2	↑	↑	BLACK/YELLOW	↑	49	↑	P0.2	
39	P1-C10	610138216	P0.6	30 T/P	↑	ORANGE/VIOLET	20	16	↑	P0.6	

Run #	From Location (Conn - Pin)	From Contact	From Signal Desc	Wire AWG	Wire/Patchcord P/N	Wire Color	Wire Group	To Location (Conn-Pin)	To Contact	To Signal Desc	Notes
40	P1-D10	610138216	D GND	↑	↑	VIOLET/ORANGE	↑	50	↑	D GND	
41	P1-A11	610138216	P0.1	30 T/P	↑	GREEN/BLACK	21	17	↑	P0.1	
42	P1-B11	610138216	D GND	↑	↑	BLACK/GREEN	↑	50	↑	D GND	
43	P1-C11	610138216	D GND	30 T/P	↑	GREEN/BLUE	22	18	↑	D GND	
44	P1-D11	610138216	P0.5	↑	↑	BLUE/GREEN	↑	51	↑	P0.5	
45	P1-A12	610138216	D GND	30 T/P	↑	BLUE/BLACK	23	18	↑	D GND	
46	P1-B12	610138216	P0.0	↑	↑	BLACK/BLUE	↑	52	↑	P0.0	
47	P1-C12	610138216	P0.4	30 T/P	↑	VIOLET/BLACK	24	19	↑	P0.4	
48	P1-D12	610138216	D GND	↑	↑	BLACK/VIOLET	↑	53	↑	D GND	
49	P1-A13	610138216	APFI 0	30	↑	RED/BLUE	-	20	↑	APFI 0	
50	P1-B13	610138216	NC	30	↑	WHITE/YELLOW	-	62	↑	NC	
51	P1-C13	610138216	AO 1	30 T/P	↑	RED/BLACK	25	21	↑	AO 1	
52	P1-D13	610138216	AO GND	↑	↑	BLACK/RED	↑	55	↑	AO GND	
53	P1-A14	610138216	AO 0	30 T/P	↑	BROWN/BLACK	26	22	↑	AO 0	
54	P1-B14	610138216	AO GND	↑	↑	BLACK/BROWN	↑	54	↑	AO GND	
55	P1-C14	610138216	AI 4-	30 ST/P	↑	WHITE/GRAY	27	61	↑	AI 4-	
56	P1-D14	610138216	AI 4+	↑	↑	GRAY/WHITE	↑	28	↑	AI 4+	
57	P1-A15	610138216	AI 4 GND	↑	↑	SHIELD	↑	27	↑	AI 4 GND	
58	P1-B15	610138216	PFI 5/P1.5	30 ST/P	↑	WHITE/VIOLET	28	60	↑	PFI 5/P1.5	
59	P1-C15	610138216	AI 5-	↑	↑	VIOLET/WHITE	↑	26	↑	AI 5-	
60	P1-D15	610138216	AI 5 GND	↑	↑	SHIELD	↑	59	↑	AI 5 GND	
61	P1-A16	610138216	AI 6-	30 ST/P	↑	WHITE/BLUE	29	58	↑	AI 6-	
62	P1-B16	610138216	AI 6+	↑	↑	BLUE/WHITE	↑	25	↑	AI 6+	
63	P1-C16	610138216	AI6 GND	↑	↑	SHIELD	↑	24	↑	AI6 GND	
64	P1-D16	610138216	AI 1-	30 ST/P	↑	WHITE/GREEN	30	66	↑	AI 1-	
65	P1-A17	610138216	AI 1 +	↑	↑	GREEN/WHITE	↑	33	↑	AI 1 +	
66	P1-B17	610138216	AI 1 GND	↑	↑	SHIELD	↑	32	↑	AI 1 GND	
67	P1-C17	610138216	AI 0+	30 ST/P	↑	WHITE/ORANGE	31	68	↑	AI 0+	
68	P1-D17	610138216	AI 0-	↑	↑	ORANGE/WHITE	↑	34	↑	AI 0-	
69	P1-A18	610138216	AI 0 GND	↑	↑	SHIELD	↑	67	↑	AI 0 GND	
70	P1-B18	610138216	AI 7 +	30 ST/P	↑	WHITE/RED	32	57	↑	AI 7 +	
71	P1-C18	610138216	AI 7-	↑	↑	RED/WHITE	↑	23	↑	AI 7-	
72	P1-D18	610138216	AI 7 GND	↑	↑	SHIELD	↑	56	↑	AI 7 GND	
73	P1-A19	610138216	AI 3-	30 ST/P	↑	WHITE/BROWN	33	63	↑	AI 3-	
74	P1-B19	610138216	AI 3+	↑	↑	BROWN/WHITE	↑	30	↑	AI 3+	
75	P1-C19	610138216	AI 3 GND	↑	↑	SHIELD	↑	29	↑	AI 3 GND	
76	P1-D19	610138216	AI 2+	30 ST/P	↑	WHITE/BLACK	34	65	↑	AI 2+	
77	P1-A20	610138216	AI 2-	↑	↑	BLACK/WHITE	↑	31	↑	AI 2-	
78	P1-B20	610138216	AI 2 GND	↑	↑	SHIELD	↑	64	↑	AI 2 GND	
79	P1-C20	610138216	+5V	26	↑	ORANGE/GRAY	-	8	↑	+5V	
80	P1-D20	610138216	+5V	26	↑	VIOLET/RED	-	14	↑	+5V	
81	P1-A21	610138216	SHIELD	26	019210	WHITE	-	SHIELD	↑	SHIELD	