

4

3

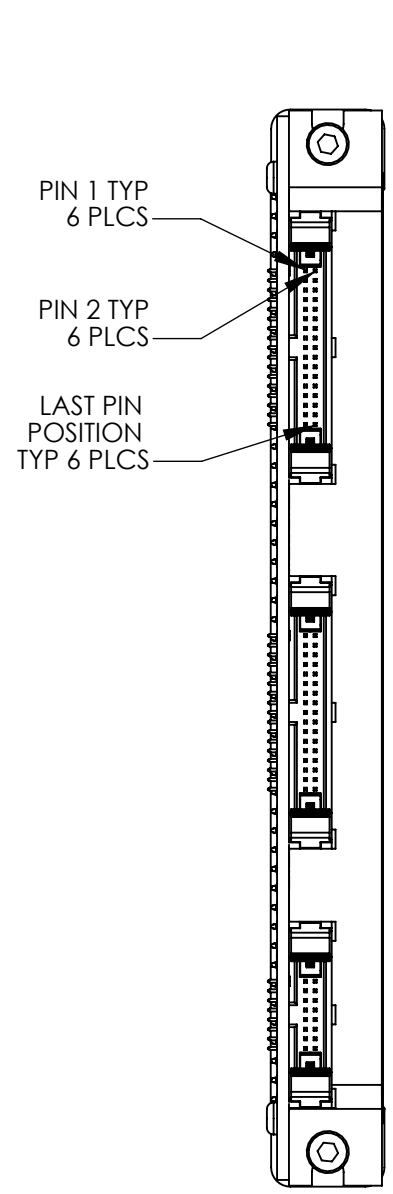
2

1

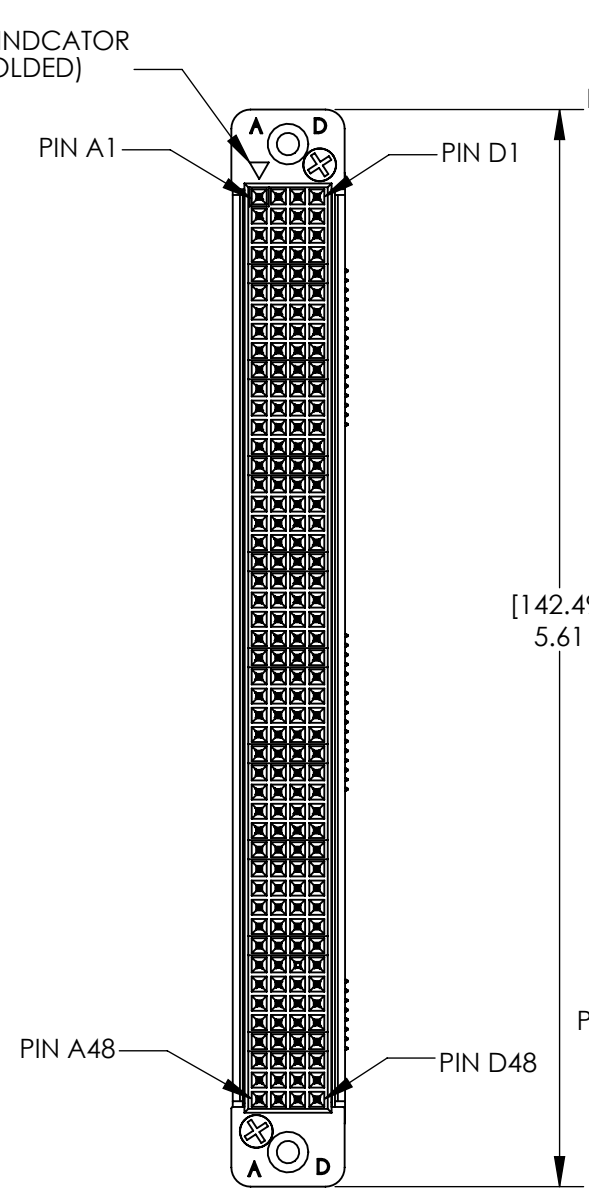
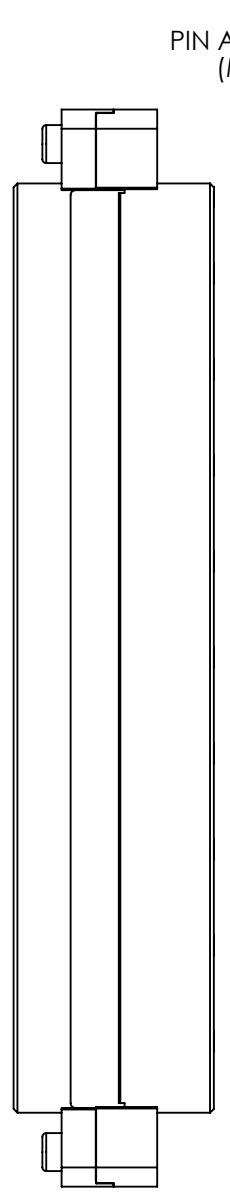
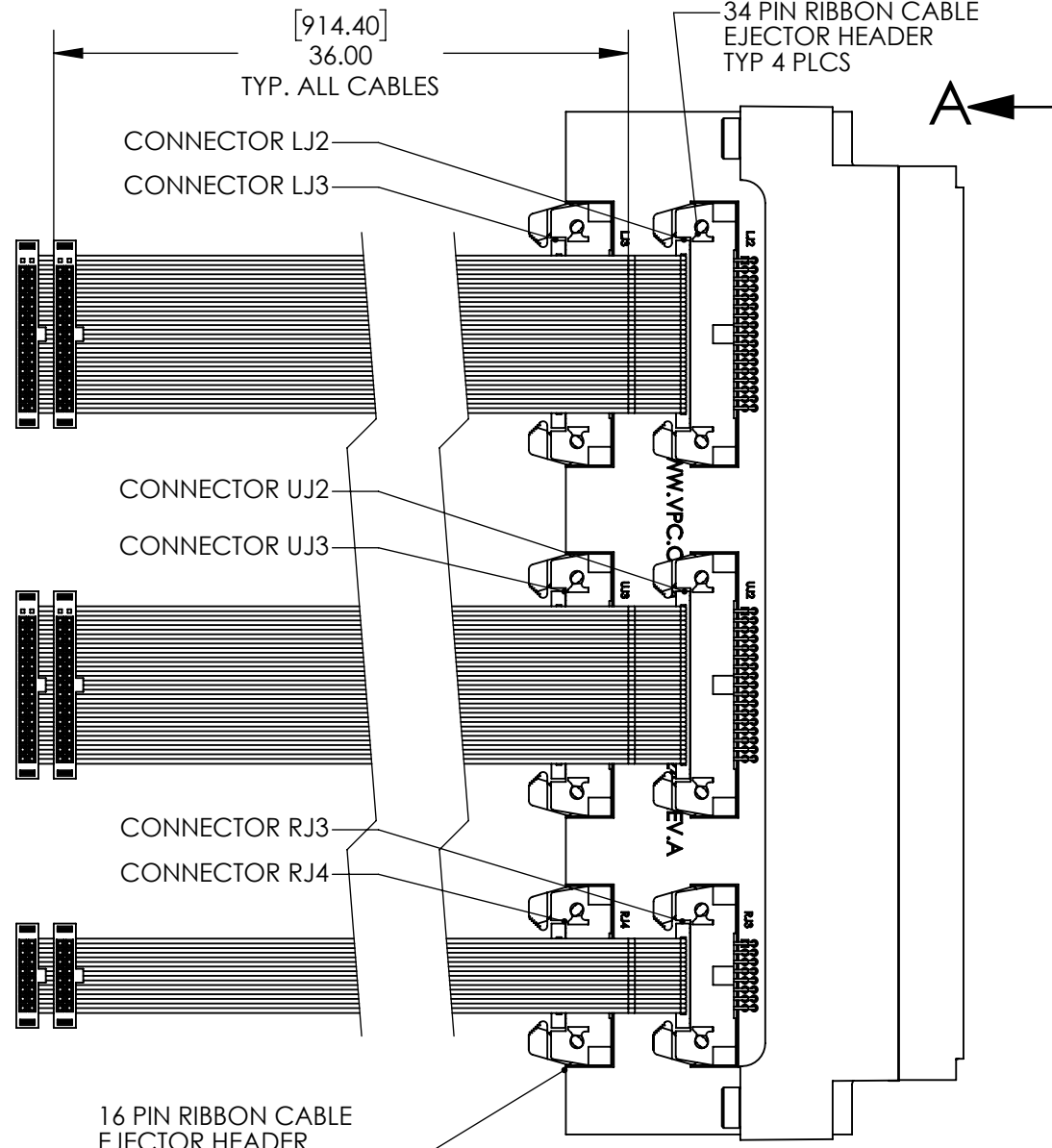
DO NOT SCALE DRAWING

THE INFORMATION CONTAINED HEREIN IS THE EXCLUSIVE PROPERTY OF VPC AND IS PERMITTED FOR USE BY THE CUSTOMER ONLY. THE DATA SHALL NOT BE DUPLICATED, USED, OR DISCLOSED IN WHOLE OR IN PART FOR ANY PURPOSE OTHER THAN TO MAINTAIN THE EQUIPMENT PROVIDED.

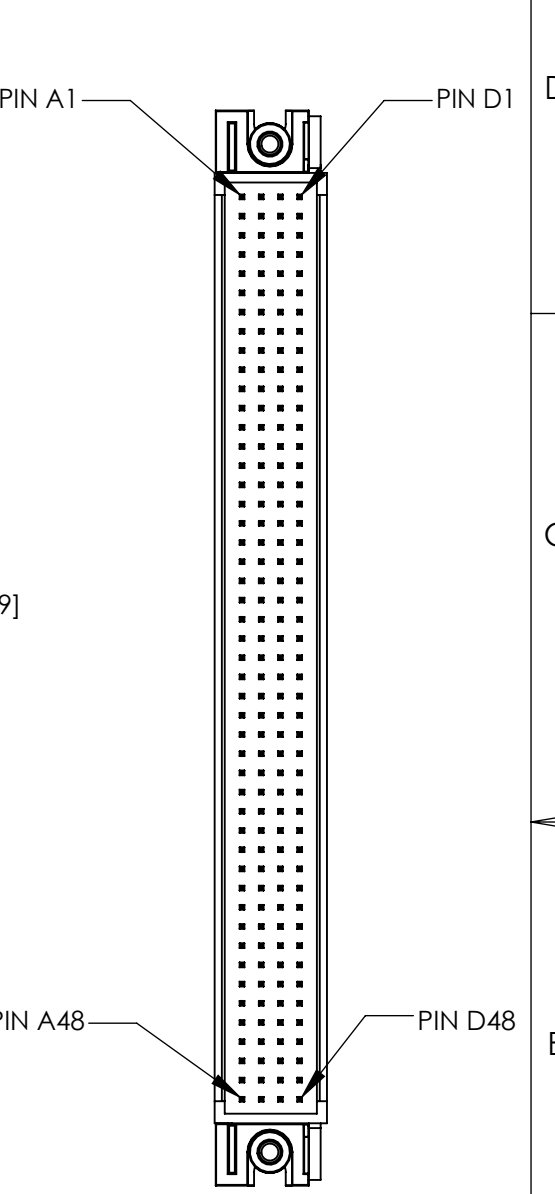
REV	DESCRIPTION	DATE	ENGINEER
R	ECN #15140	10/1/2025	J HARDIGREE



VIEW OF RIBBON CABLE CONNECTOR MATING SIDE



VIEW OF VPC RECEIVER MODULE FRONT MATING (ITA) SIDE P/N 510150130



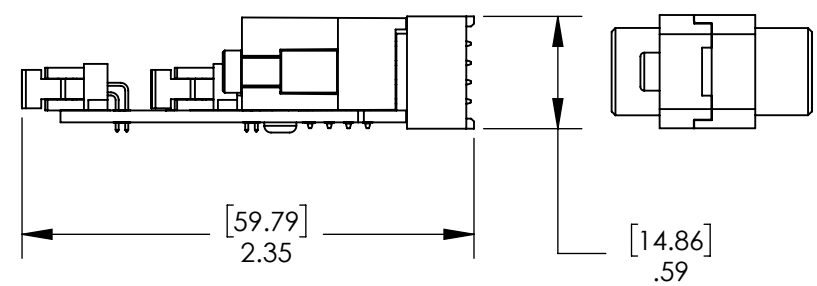
SECTION A-A

VIEW OF BOARD MOUNTED RIGHT ANGLE HEADER MATING SIDE

4. WHEN LOADING PCBs SIDE-BY-SIDE SOLDER TAILS COULD INTERFERE WITH ADJACENT PCBs.

3. TECHNICAL DATA
 CONNECTOR:
 CURRENT: 1.75 AMPS @ 80°C AMBIENT
 OPERATING TEMP: -65°C TO +125°C
 BOARD: .5 AMP CONTINUOUS @ 150 V RMS

MATERIALS:
 CONNECTOR:
 HOUSING = BLACK LCP
 CONTACT = PHOS. BRONZE
 CONTACT PLATING = MATING AREA - LIGHT GOLD
 SOLDER POST - TIN
 OVER ENTIRE Ni UNDERPLATE w/ COPPER FLASH



BOARD:
 FR/4 w/ SOLDERMASK

1. FOR MORE INFORMATION, VISIT VPC.COM.
 NOTES:

RELATIVE CONNECTOR POSITIONS AND WIRE ROUTING ARE GENERIC AND MAY VARY WITH PINOUT

DIMENSIONS ARE SHOWN AS:
 [MILLIMETERS]
 INCHES

CUSTOMER DRAWING

VPC Virginia Panel Corporation

PCB ADPTR, RVCR, QP, 192 POS, TO NI PXI-2532 WITH 36" CBLs

DWG.NO.	510150143	REV	R
SCALE	NONE	SHEET	1 OF 3

4

3

2

1

NI TERMINAL BLOCK 2640 PINOUT							
J1	NI TB 2640	J1	NI TB 2640	J1	NI TB 2640	J1	NI TB 2640
A1	(LCCB) J3-16	B1	(LCCB) J3-1	C1	(LCCB) J2-48	D1	(LCCB) J2-33
A2	" J3-14	B2	" J3-3	C2	" J2-46	D2	" J2-35
A3	" J3-12	B3	" J3-5	C3	" J2-44	D3	" J2-37
A4	" J3-10	B4	" J3-7	C4	" J2-42	D4	" J2-39
A5	" J3-8	B5	" J3-9	C5	" J2-40	D5	" J2-41
A6	" J3-6	B6	" J3-11	C6	" J2-38	D6	" J2-43
A7	" J3-4	B7	" J3-13	C7	" J2-36	D7	" J2-45
A8	" J3-2	B8	" J3-15	C8	" J2-34	D8	" J2-47
A9	" J3-0	B9	" J3-17	C9	" J2-32	D9	" J2-49
A10	" J3-32	B10	" J3-19	C10	" J2-64	D10	" J2-51
A11	" J3-30	B11	" J3-21	C11	" J2-62	D11	" J2-53
A12	" J3-28	B12	" J3-23	C12	" J2-60	D12	" J2-55
A13	" J3-26	B13	" J3-25	C13	" J2-58	D13	" J2-57
A14	" J3-24	B14	" J3-27	C14	" J2-56	D14	" J2-59
A15	" J3-22	B15	" J3-29	C15	" J2-54	D15	" J2-61
A16	" J3-20	B16	" J3-31	C16	" J2-52	D16	" J2-63
A17	" J3-18	B17	" J3-33	C17	" J2-50	D17	" J2-65
A18	(UCCB) J3-111	B18	(UCCB) J3-126	C18	(UCCB) J2-79	D18	(UCCB) J2-94
A19	" J3-113	B19	" J3-124	C19	" J2-81	D19	" J2-92
A20	" J3-115	B20	" J3-122	C20	" J2-83	D20	" J2-90
A21	" J3-117	B21	" J3-120	C21	" J2-85	D21	" J2-88
A22	" J3-119	B22	" J3-118	C22	" J2-87	D22	" J2-86
A23	" J3-121	B23	" J3-116	C23	" J2-89	D23	" J2-84
A24	" J3-123	B24	" J3-114	C24	" J2-91	D24	" J2-82
A25	" J3-125	B25	" J3-112	C25	" J2-93	D25	" J2-80
A26	" J3-127	B26	" J3-110	C26	" J2-95	D26	" J2-78
A27	" J3-95	B27	" J3-108	C27	" J2-63	D27	" J2-76
A28	" J3-97	B28	" J3-106	C28	" J2-65	D28	" J2-74
A29	" J3-99	B29	" J3-104	C29	" J2-67	D29	" J2-72
A30	" J3-101	B30	" J3-102	C30	" J2-69	D30	" J2-70
A31	" J3-103	B31	" J3-100	C31	" J2-71	D31	" J2-68
A32	" J3-105	B32	" J3-98	C32	" J2-73	D32	" J2-66
A33	" J3-107	B33	" J3-96	C33	" J2-75	D33	" J2-64
A34	" J3-109	B34	" J3-94	C34	" J2-77	D34	" J2-62
A35	(RH) J3-6	B35	(RH) J3-1	C35	-----	D35	-----
A36	" J3-4	B36	" J3-3	C36	-----	D36	-----
A37	" J3-2	B37	" J3-5	C37	-----	D37	-----
A38	" J3-0	B38	" J3-7	C38	-----	D38	-----
A39	" J3-14	B39	" J3-9	C39	-----	D39	-----
A40	" J3-12	B40	" J3-11	C40	-----	D40	-----
A41	" J3-10	B41	" J3-13	C41	-----	D41	-----
A42	" J3-8	B42	" J3-15	C42	-----	D42	-----
A43	" J4-4	B43	" J4-1	C43	-----	D43	-----
A44	" J4-2	B44	" J4-3	C44	-----	D44	-----
A45	" J4-0	B45	" J4-5	C45	-----	D45	-----
A46	" J4-14	B46	" J4-7	C46	-----	D46	-----
A47	" J4-12	B47	" J4-9	C47	(RH) J4-8	D47	(RH) J4-13
A48	" J4-10	B48	" J4-11	C48	" J4-6	D48	" J4-15

NI TERMINAL BLOCK 2643											
J1	(4x64 / 2-WIRE) (DUAL 4x64 / 1-WIRE)	J1	(4x64 / 2-WIRE) (DUAL 4x64 / 1-WIRE)	J1	(4x64 / 2-WIRE) (DUAL 4x64 / 1-WIRE)	J1	(4x64 / 2-WIRE) (DUAL 4x64 / 1-WIRE)	J1	(4x64 / 2-WIRE) (DUAL 4x64 / 1-WIRE)		
A1	(LCCB) J3-C8+	(LCCB) J3-B0C8	B1	(LCCB) J3-C0-	(LCCB) J3-B1C0	C1	(LCCB) J2-C24+	(LCCB) J2-B0C24	D1	(LCCB) J2-C16-	(LCCB) J2-B1C16
A2	" J3-C7+	" J3-B0C7	B2	" J3-C1-	" J3-B1C1	C2	" J2-C23+	" J2-B0C23	D2	" J2-C17-	" J2-B1C17
A3	" J3-C6+	" J3-B0C6	B3	" J3-C2-	" J3-B1C2	C3	" J2-C22+	" J2-B0C22	D3	" J2-C18-	" J2-B1C18
A4	" J3-C5+	" J3-B0C5	B4	" J3-C3-	" J3-B1C3	C4	" J2-C21+	" J2-B0C21	D4	" J2-C19-	" J2-B1C19
A5	" J3-C4+	" J3-B0C4	B5	" J3-C4-	" J3-B1C4	C5	" J2-C20+	" J2-B0C20	D5	" J2-C20-	" J2-B1C20
A6	" J3-C3+	" J3-B0C3	B6	" J3-C5-	" J3-B1C5	C6	" J2-C19+	" J2-B0C19	D6	" J2-C21-	" J2-B1C21
A7	" J3-C2+	" J3-B0C2	B7	" J3-C6-	" J3-B1C6	C7	" J2-C18+	" J2-B0C18	D7	" J2-C22-	" J2-B1C22
A8	" J3-C1+	" J3-B0C1	B8	" J3-C7-	" J3-B1C7	C8	" J2-C17+	" J2-B0C17	D8	" J2-C23-	" J2-B1C23
A9	" J3-C0+	" J3-B0C0	B9	" J3-C8-	" J3-B1C8	C9	" J2-C16+	" J2-B0C16	D9	" J2-C24-	" J2-B1C24
A10	" J3-C16+	" J3-B0C16	B10	" J3-C9-	" J3-B1C9	C10	" J2-C32+	" J2-B0C32	D10	" J2-C25-	" J2-B1C25
A11	" J3-C15+	" J3-B0C15	B11	" J3-C10-	" J3-B1C10	C11	" J2-C31+	" J2-B0C31	D11	" J2-C26-	" J2-B1C26
A12	" J3-C14+	" J3-B0C14	B12	" J3-C11-	" J3-B1C11	C12	" J2-C30+	" J2-B0C30	D12	" J2-C27-	" J2-B1C27
A13	" J3-C13+	" J3-B0C13	B13	" J3-C12-	" J3-B1C12	C13	" J2-C29+	" J2-B0C29	D13	" J2-C28-	" J2-B1C28
A14	" J3-C12+	" J3-B0C12	B14	" J3-C13-	" J3-B1C13	C14	" J2-C28+	" J2-B0C28	D14	" J2-C29-	" J2-B1C29
A15	" J3-C11+	" J3-B0C11	B15	" J3-C14-	" J3-B1C14	C15	" J2-C27+	" J2-B0C27	D15	" J2-C30-	" J2-B1C30
A16	" J3-C10+	" J3-B0C10	B16	" J3-C15-	" J3-B1C15	C16	" J2-C26+	" J2-B0C26	D16	" J2-C31-	" J2-B1C31
A17	" J3-C9+	" J3-B0C9	B17	" J3-C16-	" J3-B1C16	C17	" J2-C25+	" J2-B0C25	D17	" J2-C32-	" J2-B1C32
A18	(UCCB) J3-C55-	(UCCB) J3-B1C55	B18	(UCCB) J3-C63+	(UCCB) J3-B0C63	C18	(UCCB) J2-C39-	(UCCB) J2-B1C39	D18	(UCCB) J2-C47+	(UCCB) J2-B0C47
A19	" J3-C56-	" J3-B1C56	B19	" J3-C62+	" J3-B0C62	C19	" J2-C40-	" J2-B1C40	D19	" J2-C46+	" J2-B0C46
A20	" J3-C57-	" J3-B1C57	B20	" J3-C61+	" J3-B0C61	C20	" J2-C41-	" J2-B1C41	D20	" J2-C45+	" J2-B0C45
A21	" J3-C58-	" J3-B1C58	B21	" J3-C60+	" J3-B0C60	C21	" J2-C42-	" J2-B1C42	D21	" J2-C44+	" J2-B0C44
A22	" J3-C59-	" J3-B1C59	B22	" J3-C59+	" J3-B0C59	C22	" J2-C43-	" J2-B1C43	D22	" J2-C43+	" J2-B0C43
A23	" J3-C60-	" J3-B1C60	B23	" J3-C58+	" J3-B0C58	C23	" J2-C44-	" J2-B1C44	D23	" J2-C42+	" J2-B0C42
A24	" J3-C61-	" J3-B1C61	B24	" J3-C57+	" J3-B0C57	C24	" J2-C45-	" J2-B1C45	D24	" J2-C41+	" J2-B0C41
A25	" J3-C62-	" J3-B1C62	B25	" J3-C56+	" J3-B0C56	C25	" J2-C46-	" J2-B1C46	D25	" J2-C40+	" J2-B0C40
A26	" J3-C63-	" J3-B1C63	B26	" J3-C55+	" J3-B0C55	C26	" J2-C47-	" J2-B1C47	D26	" J2-C39+	" J2-B0C39
A27	" J3-C47-	" J3-B1C47	B27	" J3-C54+	" J3-B0C54	C27	" J2-C31-	" J2-B1C31	D27	" J2-C38+	" J2-B0C38
A28	" J3-C48-	" J3-B1C48	B28	" J3-C53+	" J3-B0C53	C28	" J2-C32-	" J2-B1C32	D28	" J2-C37+	" J2-B0C37
A29	" J3-C49-	" J3-B1C49	B29	" J3-C52+	" J3-B0C52	C29	" J2-C33-	" J2-B1C33	D29	" J2-C36+	" J2-B0C36
A30	" J3-C50-	" J3-B1C50	B30	" J3-C51+	" J3-B0C51	C30	" J2-C34-	" J2-B1C34	D30	" J2-C35+	" J2-B0C35
A31	" J3-C51-	" J3-B1C51	B31	" J3-C50+	" J3-B0C50	C31	" J2-C35-	" J2-B1C35	D31	" J2-C34+	" J2-B0C34
A32	" J3-C52-	" J3-B1C52	B32	" J3-C49+	" J3-B0C49	C32	" J2-C36-	" J2-B1C36	D32	" J2-C33+	" J2-B0C33
A33	" J3-C53-	" J3-B1C53	B33	" J3-C48+	" J3-B0C48	C33	" J2-C37-	" J2-B1C37	D33	" J2-C32+	" J2-B0C32
A34	" J3-C54-	" J3-B1C54	B34	" J3-C47+	" J3-B0C47	C34	" J2-C38-	" J2-B1C38	D34	" J2-C31+	" J2-B0C31
A35	(RH) J3-3+	(RH) J3-B0R3	B35	(RH) J3-0-	(RH) J3-B1R0	C35	-----	-----	D35	-----	-----
A36	" J3-2+	" J3-B0R2	B36	" J3-1-	" J3-B1R1	C36	-----	-----	D36	-----	-----
A37	" J3-1+	" J3-B0R1	B37	" J3-2-	" J3-B1R2	C37	-----	-----	D37	-----	-----
A38	" J3-0+	" J3-B0R0	B38	" J3-3-	" J3-B1R3	C38	-----	-----	D38	-----	-----
A39	" J3-7+	" J3-B0R7	B39	" J3-4-	" J3-B1R4	C39	-----	-----	D39	-----	-----
A40	" J3-6+	" J3-B0R6	B40	" J3-5-	" J3-B1R5	C40	-----	-----	D40	-----	-----
A41	" J3-5+	" J3-B0R5	B41	" J3-6-	" J3-B1R6	C41	-----	-----	D41	-----	-----
A42	" J3-4+	" J3-B0R4	B42	" J3-7-	" J3-B1R7	C42	-----	-----	D42	-----	-----
A43	" J4-2+	" J4-B0R2	B43	" J4-0-	" J4-B1R0	C43	-----	-----	D43	-----	-----
A44	" J4-1+	" J4-B0R1	B44	" J4-1-	" J4-B1R1	C44	-----	-----	D44	-----	-----
A45	" J4-0+	" J4-B0R0	B45	" J4-2-	" J4-B1R2	C45	-----	-----	D45	-----	-----
A46	" J4-7+	" J4-B0R7	B46	" J4-3-	" J4-B1R3	C46	-----	-----	D46	-----	-----
A47	" J4-6+	" J4-B0R6	B47	" J4-4-	" J4-B1R4	C47	(RH) J4-4+	(RH) J4-B0R4	D47	(RH) J4-6-	(RH) J4-B1R6
A48	" J4-5+	" J4-B0R5	B48	" J4-5-	" J4-B1R5	C48	" J4-3+	" J4-B0R3	D48	" J4-7-	" J4-B1R7

RIBBON CABLE CONNECTIONS:

VPC BOARD	NI TB 2640	NI TB 2640B	NI TB 2641	NI TB 2641B	NI TB 2643	NI TB 2643B	NI TB 2644	NI TB 2644B
LJ2	LCCB J2	J2	CCB J2	CCB J2	LCCB J2	LCCB J2	CCB J2	CCB J2
LJ3	LCCB J3	J3	CCB J3	CCB J3	LCCB J3	LCCB J3	CCB J3	CCB J3
UJ2	UCCB J2	J12	N/A	N/A	UCCB J2	UCCB J12	N/A	N/A
UJ3	UCCB J3	J13	N/A	N/A	UCCB J3	UCCB J13	N/A	N/A
RJ3	RH J3	RH J4	RH J2	RH J4	RH J3	RH J4	RH J3	RH J4
RJ4	RH J4	RH J5	RH J3	RH J5	RH J4	RH J5	RH J4	RH J5

**B" Configurations shown for reference only

DO NOT SCALE DRAWING

LEGEND

- LCCB = LOWER COLUMN CONNECTION BOARD
- UCCB = UPPER COLUMN CONNECTION BOARD
- CCB = COLUMN CONNECTION BOARD
- RH = ROW HEADER
- J (-) = (CONNECTOR LOCATION) - (PIN LOCATION)

CUSTOMER DRAWING - CUSTOMER DRAWING - CUSTOMER DRAWING

THE INFORMATION CONTAINED HEREIN IS THE EXCLUSIVE PROPERTY OF VPC AND IS PERMITTED FOR USE BY THE CUSTOMER ONLY. THE DATA SHALL NOT BE DUPLICATED, USED, OR DISCLOSED IN WHOLE OR IN PART FOR ANY PURPOSE OTHER THAN TO MAINTAIN THE EQUIPMENT PROVIDED.	DWG.NO.	REV
	510150143	R
SCALE	CAGE CODE	SHEET
NONE	18117	2 OF 3

NI TERMINAL BLOCK 2641							
J1	NI TB 2641	J1	NI TB 2641	J1	NI TB 2641	J1	NI TB 2641
A1	(CCB) J3-16	B1	(CCB) J3-1	C1	(CCB) J2-48	D1	(CCB) J2-33
A2	" J3-14	B2	" J3-3	C2	" J2-46	D2	" J2-35
A3	" J3-12	B3	" J3-5	C3	" J2-44	D3	" J2-37
A4	" J3-10	B4	" J3-7	C4	" J2-42	D4	" J2-39
A5	" J3-8	B5	" J3-9	C5	" J2-40	D5	" J2-41
A6	" J3-6	B6	" J3-11	C6	" J2-38	D6	" J2-43
A7	" J3-4	B7	" J3-13	C7	" J2-36	D7	" J2-45
A8	" J3-2	B8	" J3-15	C8	" J2-34	D8	" J2-47
A9	" J3-0	B9	" J3-17	C9	" J2-32	D9	" J2-49
A10	" J3-32	B10	" J3-19	C10	" J2-64	D10	" J2-51
A11	" J3-30	B11	" J3-21	C11	" J2-62	D11	" J2-53
A12	" J3-28	B12	" J3-23	C12	" J2-60	D12	" J2-55
A13	" J3-26	B13	" J3-25	C13	" J2-58	D13	" J2-57
A14	" J3-24	B14	" J3-27	C14	" J2-56	D14	" J2-59
A15	" J3-22	B15	" J3-29	C15	" J2-54	D15	" J2-61
A16	" J3-20	B16	" J3-31	C16	" J2-52	D16	" J2-63
A17	" J3-18	B17	" J3-33	C17	" J2-50	D17	" J2-65
A18	-----	B18	-----	C18	-----	D18	-----
A19	-----	B19	-----	C19	-----	D19	-----
A20	-----	B20	-----	C20	-----	D20	-----
A21	-----	B21	-----	C21	-----	D21	-----
A22	-----	B22	-----	C22	-----	D22	-----
A23	-----	B23	-----	C23	-----	D23	-----
A24	-----	B24	-----	C24	-----	D24	-----
A25	-----	B25	-----	C25	-----	D25	-----
A26	-----	B26	-----	C26	-----	D26	-----
A27	-----	B27	-----	C27	-----	D27	-----
A28	-----	B28	-----	C28	-----	D28	-----
A29	-----	B29	-----	C29	-----	D29	-----
A30	-----	B30	-----	C30	-----	D30	-----
A31	-----	B31	-----	C31	-----	D31	-----
A32	-----	B32	-----	C32	-----	D32	-----
A33	-----	B33	-----	C33	-----	D33	-----
A34	-----	B34	-----	C34	-----	D34	-----
A35	(RH) J2-6	B35	(RH) J2-1	C35	-----	D35	-----
A36	" J2-4	B36	" J2-3	C36	-----	D36	-----
A37	" J2-2	B37	" J2-5	C37	-----	D37	-----
A38	" J2-0	B38	" J2-7	C38	-----	D38	-----
A39	" J2-14	B39	" J2-9	C39	-----	D39	-----
A40	" J2-12	B40	" J2-11	C40	-----	D40	-----
A41	" J2-10	B41	" J2-13	C41	-----	D41	-----
A42	" J2-8	B42	" J2-15	C42	-----	D42	-----
A43	" J3-4	B43	" J3-1	C43	-----	D43	-----
A44	" J3-2	B44	" J3-3	C44	-----	D44	-----
A45	" J3-0	B45	" J3-5	C45	-----	D45	-----
A46	" J3-14	B46	" J3-7	C46	-----	D46	-----
A47	" J3-12	B47	" J3-9	C47	(RH) J3-8	D47	(RH) J3-13
A48	" J3-10	B48	" J3-11	C48	" J3-6	D48	" J3-15

NI TERMINAL BLOCK 2644											
J1	(8x32 / 2-WIRE)	(DUAL 8x32 / 1-WIRE)	J1	(8x32 / 2-WIRE)	(DUAL 8x32 / 1-WIRE)	J1	(8x32 / 2-WIRE)	(DUAL 8x32 / 1-WIRE)	J1	(8x32 / 2-WIRE)	(DUAL 8x32 / 1-WIRE)
A1	(CCB) J3-C8+	(CCB) J3-B0C8	B1	(CCB) J3-C0-	(CCB) J3-B1C0	C1	(CCB) J2-C24+	(CCB) J2-B0C24	D1	(CCB) J2-C16-	(CCB) J2-B1C16
A2	" J3-C7+	" J3-B0C7	B2	" J3-C1-	" J3-B1C1	C2	" J2-C23+	" J2-B0C23	D2	" J2-C17-	" J2-B1C17
A3	" J3-C6+	" J3-B0C6	B3	" J3-C2-	" J3-B1C2	C3	" J2-C22+	" J2-B0C22	D3	" J2-C18-	" J2-B1C18
A4	" J3-C5+	" J3-B0C5	B4	" J3-C3-	" J3-B1C3	C4	" J2-C21+	" J2-B0C21	D4	" J2-C19-	" J2-B1C19
A5	" J3-C4+	" J3-B0C4	B5	" J3-C4-	" J3-B1C4	C5	" J2-C20+	" J2-B0C20	D5	" J2-C20-	" J2-B1C20
A6	" J3-C3+	" J3-B0C3	B6	" J3-C5-	" J3-B1C5	C6	" J2-C19+	" J2-B0C19	D6	" J2-C21-	" J2-B1C21
A7	" J3-C2+	" J3-B0C2	B7	" J3-C6-	" J3-B1C6	C7	" J2-C18+	" J2-B0C18	D7	" J2-C22-	" J2-B1C22
A8	" J3-C1+	" J3-B0C1	B8	" J3-C7-	" J3-B1C7	C8	" J2-C17+	" J2-B0C17	D8	" J2-C23-	" J2-B1C23
A9	" J3-C0+	" J3-B0C0	B9	" J3-C8-	" J3-B1C8	C9	" J2-C16+	" J2-B0C16	D9	" J2-C24-	" J2-B1C24
A10	" J3-C16+	" J3-B0C16	B10	" J3-C9-	" J3-B1C9	C10	" J2-C32+	" J2-B0C32	D10	" J2-C25-	" J2-B1C25
A11	" J3-C15+	" J3-B0C15	B11	" J3-C10-	" J3-B1C10	C11	" J2-C31+	" J2-B0C31	D11	" J2-C26-	" J2-B1C26
A12	" J3-C14+	" J3-B0C14	B12	" J3-C11-	" J3-B1C11	C12	" J2-C30+	" J2-B0C30	D12	" J2-C27-	" J2-B1C27
A13	" J3-C13+	" J3-B0C13	B13	" J3-C12-	" J3-B1C12	C13	" J2-C29+	" J2-B0C29	D13	" J2-C28-	" J2-B1C28
A14	" J3-C12+	" J3-B0C12	B14	" J3-C13-	" J3-B1C13	C14	" J2-C28+	" J2-B0C28	D14	" J2-C29-	" J2-B1C29
A15	" J3-C11+	" J3-B0C11	B15	" J3-C14-	" J3-B1C14	C15	" J2-C27+	" J2-B0C27	D15	" J2-C30-	" J2-B1C30
A16	" J3-C10+	" J3-B0C10	B16	" J3-C15-	" J3-B1C15	C16	" J2-C26+	" J2-B0C26	D16	" J2-C31-	" J2-B1C31
A17	" J3-C9+	" J3-B0C9	B17	" J3-C16-	" J3-B1C16	C17	" J2-C25+	" J2-B0C25	D17	" J2-C32-	" J2-B1C32
A18	-----	-----	B18	-----	-----	C18	-----	-----	D18	-----	-----
A19	-----	-----	B19	-----	-----	C19	-----	-----	D19	-----	-----
A20	-----	-----	B20	-----	-----	C20	-----	-----	D20	-----	-----
A21	-----	-----	B21	-----	-----	C21	-----	-----	D21	-----	-----
A22	-----	-----	B22	-----	-----	C22	-----	-----	D22	-----	-----
A23	-----	-----	B23	-----	-----	C23	-----	-----	D23	-----	-----
A24	-----	-----	B24	-----	-----	C24	-----	-----	D24	-----	-----
A25	-----	-----	B25	-----	-----	C25	-----	-----	D25	-----	-----
A26	-----	-----	B26	-----	-----	C26	-----	-----	D26	-----	-----
A27	-----	-----	B27	-----	-----	C27	-----	-----	D27	-----	-----
A28	-----	-----	B28	-----	-----	C28	-----	-----	D28	-----	-----
A29	-----	-----	B29	-----	-----	C29	-----	-----	D29	-----	-----
A30	-----	-----	B30	-----	-----	C30	-----	-----	D30	-----	-----
A31	-----	-----	B31	-----	-----	C31	-----	-----	D31	-----	-----
A32	-----	-----	B32	-----	-----	C32	-----	-----	D32	-----	-----
A33	-----	-----	B33	-----	-----	C33	-----	-----	D33	-----	-----
A34	-----	-----	B34	-----	-----	C34	-----	-----	D34	-----	-----
A35	(RH) J3-3+	(RH) J3-B0R3	B35	(RH) J3-0-	(RH) J3-B1R0	C35	-----	-----	D35	-----	-----
A36	" J3-2+	" J3-B0R2	B36	" J3-1-	" J3-B1R1	C36	-----	-----	D36	-----	-----
A37	" J3-1+	" J3-B0R1	B37	" J3-2-	" J3-B1R2	C37	-----	-----	D37	-----	-----
A38	" J3-0+	" J3-B0R0	B38	" J3-3-	" J3-B1R3	C38	-----	-----	D38	-----	-----
A39	" J3-7+	" J3-B0R7	B39	" J3-4-	" J3-B1R4	C39	-----	-----	D39	-----	-----
A40	" J3-6+	" J3-B0R6	B40	" J3-5-	" J3-B1R5	C40	-----	-----	D40	-----	-----
A41	" J3-5+	" J3-B0R5	B41	" J3-6-	" J3-B1R6	C41	-----	-----	D41	-----	-----
A42	" J3-4+	" J3-B0R4	B42	" J3-7-	" J3-B1R7	C42	-----	-----	D42	-----	-----
A43	" J4-2+	" J4-B0R2	B43	" J4-0-	" J4-B1R0	C43	-----	-----	D43	-----	-----
A44	" J4-1+	" J4-B0R1	B44	" J4-1-	" J4-B1R1	C44	-----	-----	D44	-----	-----
A45	" J4-0+	" J4-B0R0	B45	" J4-2-	" J4-B1R2	C45	-----	-----	D45	-----	-----
A46	" J4-7+	" J4-B0R7	B46	" J4-3-	" J4-B1R3	C46	-----	-----	D46	-----	-----
A47	" J4-6+	" J4-B0R6	B47	" J4-4-	" J4-B1R4	C47	(RH) J4-4+	(RH) J4-B0R4	D47	(RH) J4-6-	(RH) J4-B1R6
A48	" J4-5+	" J4-B0R5	B48	" J4-5-	" J4-B1R5	C48	" J4-3+	" J4-B0R3	D48	" J4-7-	" J4-B1R7

RIBBON CABLE CONNECTIONS:

VPC BOARD	NI TB 2640	NI TB 2640B	NI TB 2641	NI TB 2641B	NI TB 2643	NI TB 2643B	NI TB 2644	NI TB 2644B
LJ2	LCCB J2	J2	CCB J2	CCB J2	LCCB J2	LCCB J2	CCB J2	CCB J2
LJ3	LCCB J3	J3	CCB J3	CCB J3	LCCB J3	LCCB J3	CCB J3	CCB J3
UJ2	UCCB J2	J12	N/A	N/A	UCCB J2	UCCB J12	N/A	N/A
UJ3	UCCB J3	J13	N/A	N/A	UCCB J3	UCCB J13	N/A	N/A
RJ3	RH J3	RH J4	RH J2	RH J4	RH J3	RH J4	RH J3	RH J4
RJ4	RH J4	RH J5	RH J3	RH J5	RH J4	RH J5	RH J4	RH J5

*"B" Configurations shown for reference only

DO NOT SCALE DRAWING

LEGEND

- LCCB = LOWER COLUMN CONNECTION BOARD
- UCCB = UPPER COLUMN CONNECTION BOARD
- CCB = COLUMN CONNECTION BOARD
- RH = ROW HEADER
- J() = (CONNECTOR LOCATION) - (PIN LOCATION)

CUSTOMER DRAWING - CUSTOMER DRAWING - CUSTOMER DRAWING		
THE INFORMATION CONTAINED HEREIN IS THE EXCLUSIVE PROPERTY OF VPC AND IS PERMITTED FOR USE BY THE CUSTOMER ONLY. THE DATA SHALL NOT BE DUPLICATED, USED, OR DISCLOSED IN WHOLE OR IN PART FOR ANY PURPOSE OTHER THAN TO MAINTAIN THE EQUIPMENT PROVIDED.	DWG.NO. 510150143	REV R
SCALE NONE	CAGE CODE 18117	SHEET 3 OF 3