

4

3

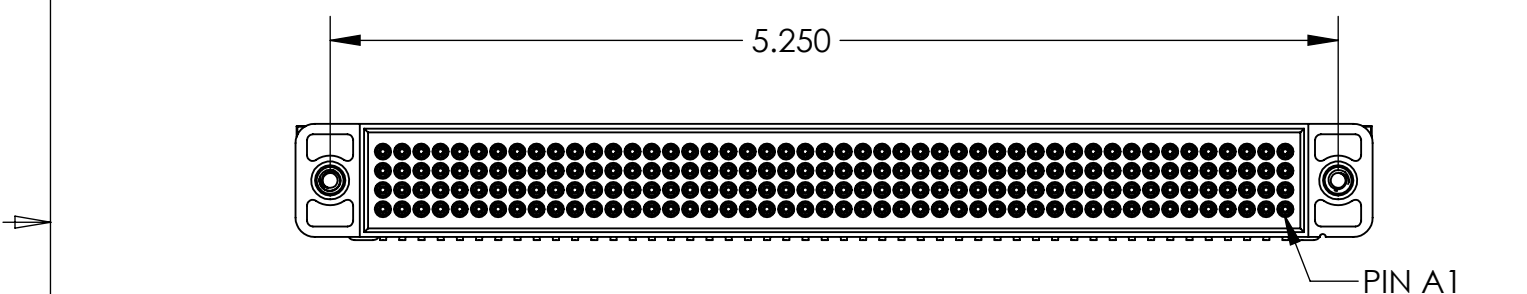
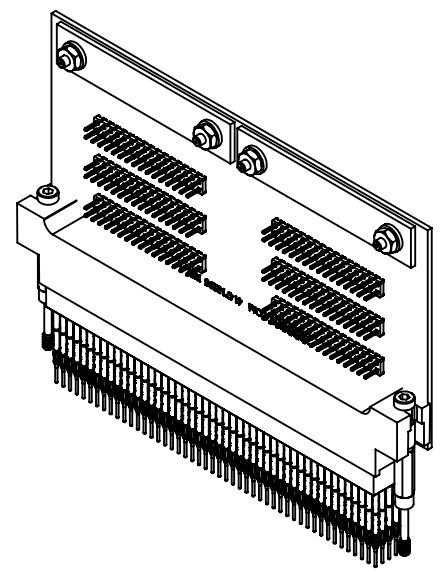
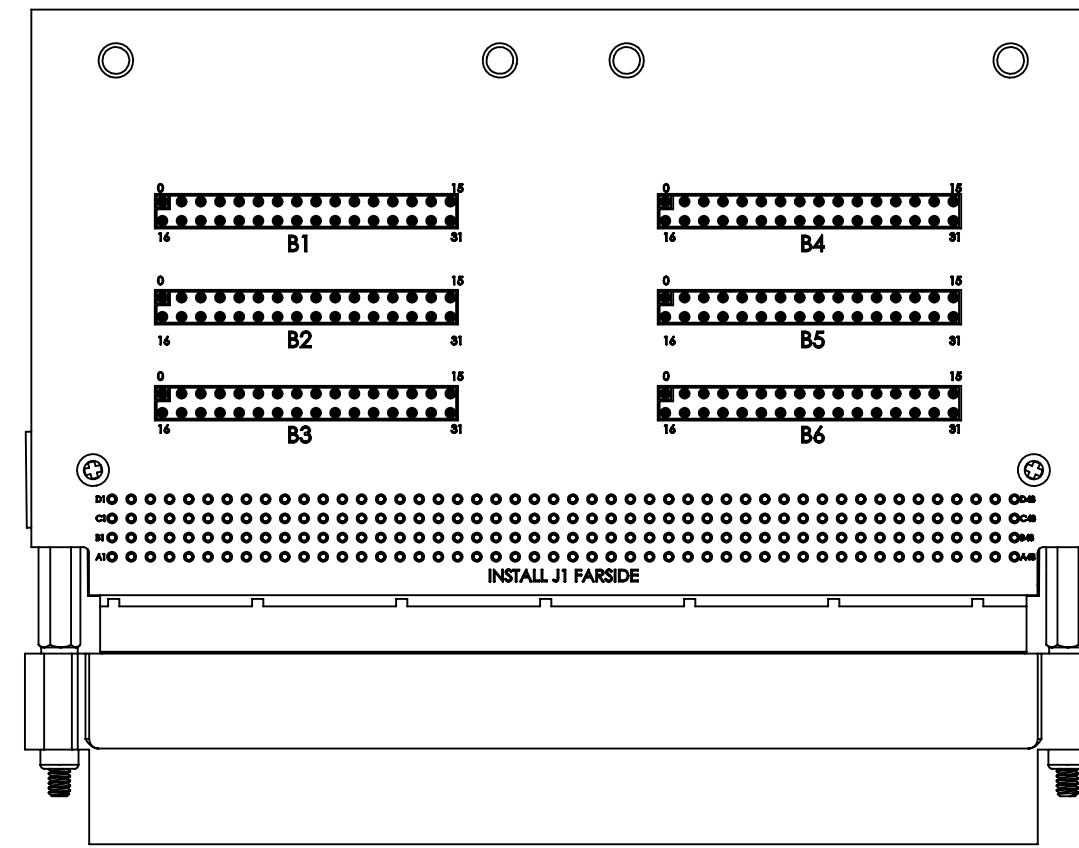
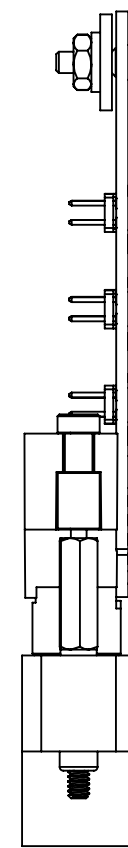
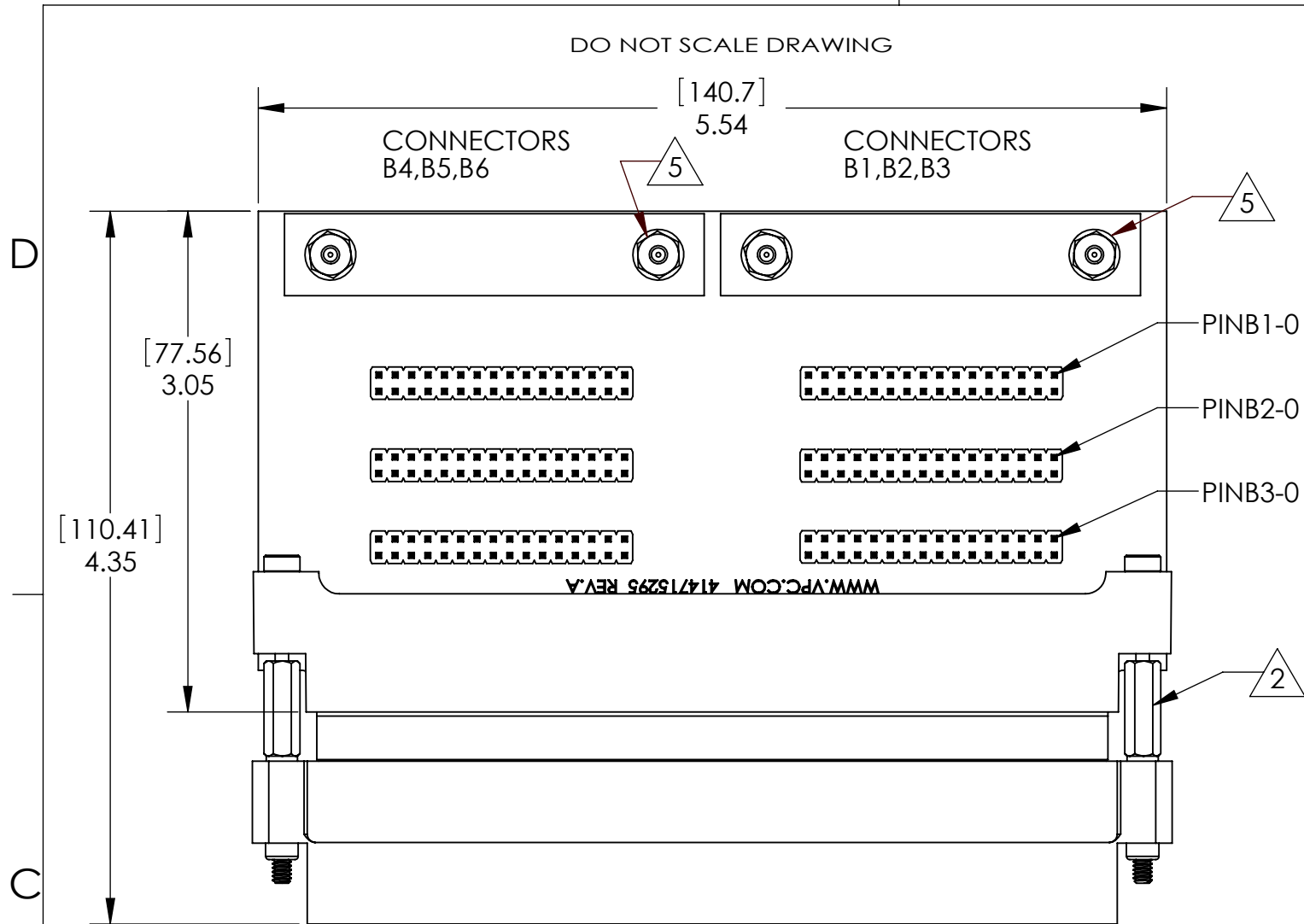
2

1

DO NOT SCALE DRAWING

THE INFORMATION CONTAINED HEREIN IS THE EXCLUSIVE PROPERTY OF VIRGINIA PANEL CORPORATION AND IS SUBMITTED FOR USE BY THE CUSTOMER ONLY. THE DATA SHALL NOT BE DUPLICATED, USED, OR DISCLOSED IN WHOLE OR IN PART FOR ANY PURPOSE OTHER THAN TO MAINTAIN THE EQUIPMENT PROVIDED. CONSULT WITH VIRGINIA PANEL CORPORATION ENGINEERING IF MORE DETAIL IS REQUIRED.

REVISIONS			
REV	DESCRIPTION	DATE	ENGR
G	ECN#15837	5/20/26	J SILER



D48	PINNED HEADER (0-31) B4	PINNED HEADER (0-31) B6	PINNED HEADER (0-31) B1	D1
C48				C1
B48	PINNED HEADER (0-31) B5	PINNED HEADER (0-31) B3	PINNED HEADER (0-31) B2	B1
A48				A1

SIGNAL TRACES															
A1 >	B2-16	A25 >	B3-24	B1 >	B2-0	B25 >	B3-8	C1 >	B1-16	C25 >	B6-24	D1 >	B1-0	D25 >	B6-8
A2 >	B2-17	A26 >	B3-25	B2 >	B2-1	B26 >	B3-9	C2 >	B1-17	C26 >	B6-25	D2 >	B1-1	D26 >	B6-9
A3 >	B2-18	A27 >	B3-26	B3 >	B2-2	B27 >	B3-10	C3 >	B1-18	C27 >	B6-26	D3 >	B1-2	D27 >	B6-10
A4 >	B2-19	A28 >	B3-27	B4 >	B2-3	B28 >	B3-11	C4 >	B1-19	C28 >	B6-27	D4 >	B1-3	D28 >	B6-11
A5 >	B2-20	A29 >	B3-28	B5 >	B2-4	B29 >	B3-12	C5 >	B1-20	C29 >	B6-28	D5 >	B1-4	D29 >	B6-12
A6 >	B2-21	A30 >	B3-29	B6 >	B2-5	B30 >	B3-13	C6 >	B1-21	C30 >	B6-29	D6 >	B1-5	D30 >	B6-13
A7 >	B2-22	A31 >	B3-30	B7 >	B2-6	B31 >	B3-14	C7 >	B1-22	C31 >	B6-30	D7 >	B1-6	D31 >	B6-14
A8 >	B2-23	A32 >	B3-31	B8 >	B2-7	B32 >	B3-15	C8 >	B1-23	C32 >	B6-31	D8 >	B1-7	D32 >	B6-15
A9 >	B2-24	A33 >	B5-16	B9 >	B2-8	B33 >	B5-0	C9 >	B1-24	C33 >	B4-16	D9 >	B1-8	D33 >	B4-0
A10 >	B2-25	A34 >	B5-17	B10 >	B2-9	B34 >	B5-1	C10 >	B1-25	C34 >	B4-17	D10 >	B1-9	D34 >	B4-1
A11 >	B2-26	A35 >	B5-18	B11 >	B2-10	B35 >	B5-2	C11 >	B1-26	C35 >	B4-18	D11 >	B1-10	D35 >	B4-2
A12 >	B2-27	A36 >	B5-19	B12 >	B2-11	B36 >	B5-3	C12 >	B1-27	C36 >	B4-19	D12 >	B1-11	D36 >	B4-3
A13 >	B2-28	A37 >	B5-20	B13 >	B2-12	B37 >	B5-4	C13 >	B1-28	C37 >	B4-20	D13 >	B1-12	D37 >	B4-4
A14 >	B2-29	A38 >	B5-21	B14 >	B2-13	B38 >	B5-5	C14 >	B1-29	C38 >	B4-21	D14 >	B1-13	D38 >	B4-5
A15 >	B2-30	A39 >	B5-22	B15 >	B2-14	B39 >	B5-6	C15 >	B1-30	C39 >	B4-22	D15 >	B1-14	D39 >	B4-6
A16 >	B2-31	A40 >	B5-23	B16 >	B2-15	B40 >	B5-7	C16 >	B1-31	C40 >	B4-23	D16 >	B1-15	D40 >	B4-7
A17 >	B3-16	A41 >	B5-24	B17 >	B3-0	B41 >	B5-8	C17 >	B6-16	C41 >	B4-24	D17 >	B6-0	D41 >	B4-8
A18 >	B3-17	A42 >	B5-25	B18 >	B3-1	B42 >	B5-9	C18 >	B6-17	C42 >	B4-25	D18 >	B6-1	D42 >	B4-9
A19 >	B3-18	A43 >	B5-26	B19 >	B3-2	B43 >	B5-10	C19 >	B6-18	C43 >	B4-26	D19 >	B6-2	D43 >	B4-10
A20 >	B3-19	A44 >	B5-27	B20 >	B3-3	B44 >	B5-11	C20 >	B6-19	C44 >	B4-27	D20 >	B6-3	D44 >	B4-11
A21 >	B3-20	A45 >	B5-28	B21 >	B3-4	B45 >	B5-12	C21 >	B6-20	C45 >	B4-28	D21 >	B6-4	D45 >	B4-12
A22 >	B3-21	A46 >	B5-29	B22 >	B3-5	B46 >	B5-13	C22 >	B6-21	C46 >	B4-29	D22 >	B6-5	D46 >	B4-13
A23 >	B3-22	A47 >	B5-30	B23 >	B3-6	B47 >	B5-14	C23 >	B6-22	C47 >	B4-30	D23 >	B6-6	D47 >	B4-14
A24 >	B3-23	A48 >	B5-31	B24 >	B3-7	B48 >	B5-15	C24 >	B6-23	C48 >	B4-31	D24 >	B6-7	D48 >	B4-15

6. WHEN LOADING PCBs SIDE-BY-SIDE SOLDER TAILS COULD INTERFERE WITH ADJACENT PCBs.

5. LIMIT TORQUE TO 4 IN-LBS MAXIMUM ON NUTS

4. LEAD NUMBERS ON BOARD DO NOT REFLECT THE CONNECTOR PINOUT

3. TECHNICAL DATA:
 MATERIAL : BOARD FR4 w/SOLDERMASK
 VPC CONNECTOR BLACK LCP w/GOLD PLATED BERYLIUM
 COPPER CONTACTS BOARD CONNECTOR BLACK LCP w/GOLD
 PLATED PHOSPHOR BRONZE POSTS
 CURRENT: 3 AMPERE CONTINUOUS PER TRACE

2. ITEMS SHIPPED LOOSE
(QTY 2) 4-40 DOUBLE END HEX STUD

1. FOR APPLICATION USE & CARE INFORMATION CONSULT VPC USERS GUIDE @WWW.VPC.COM

NOTES:

CUSTOMER DRAWING

VIRGINIA PANEL CORPORATION
WWW.VPC.COM

PCB Adapter, ITA, 192 POS. QUAD-PADDLE
W/ PCB 6X32 PIN RIBBON CABLE HEADER

DIMENSIONS ARE SHOWN AS:	SIZE	CAGE CODE	DWG. NO.	REV
[MILLIMETERS]	C	18117	510151125	G
INCHES	SCALE: 1:1	510151125	7/3/08	SHEET 1 OF 1

4

3

2

1