

4

3

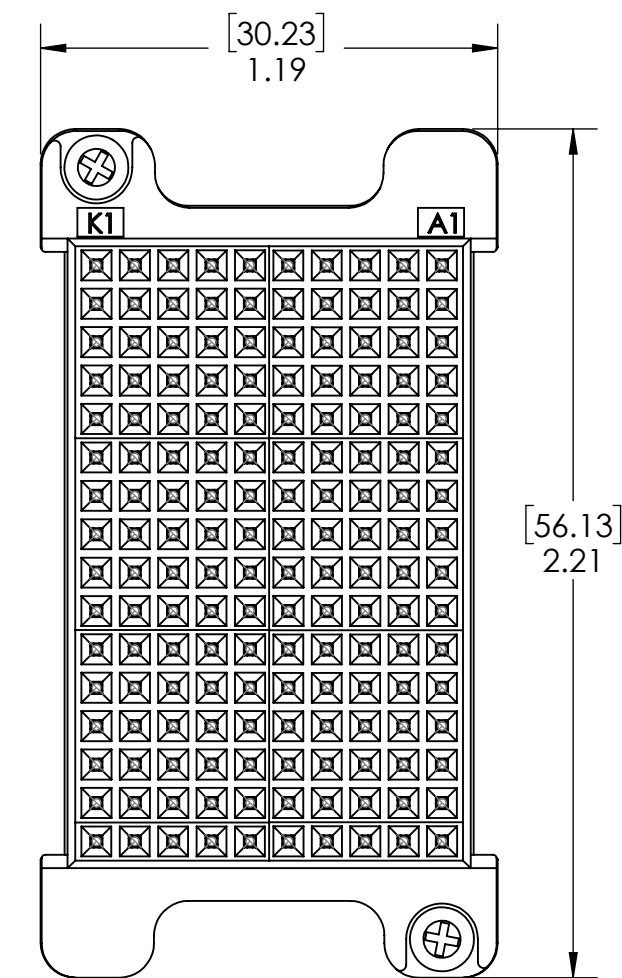
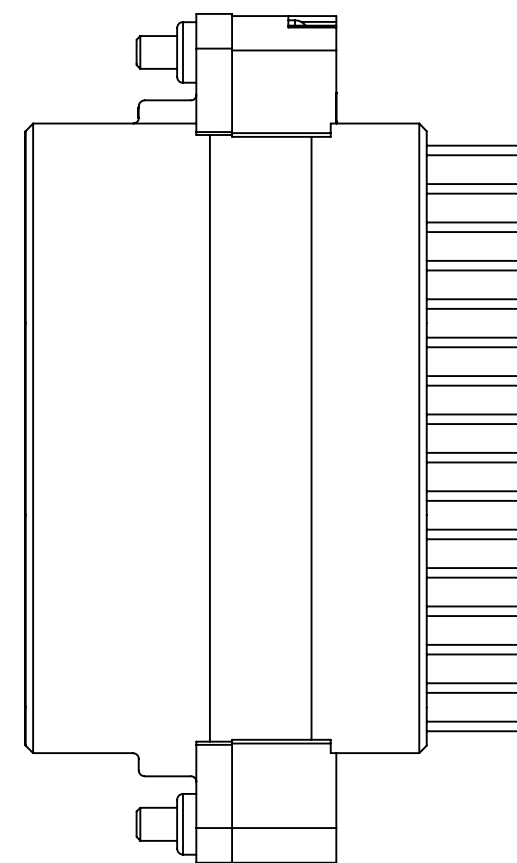
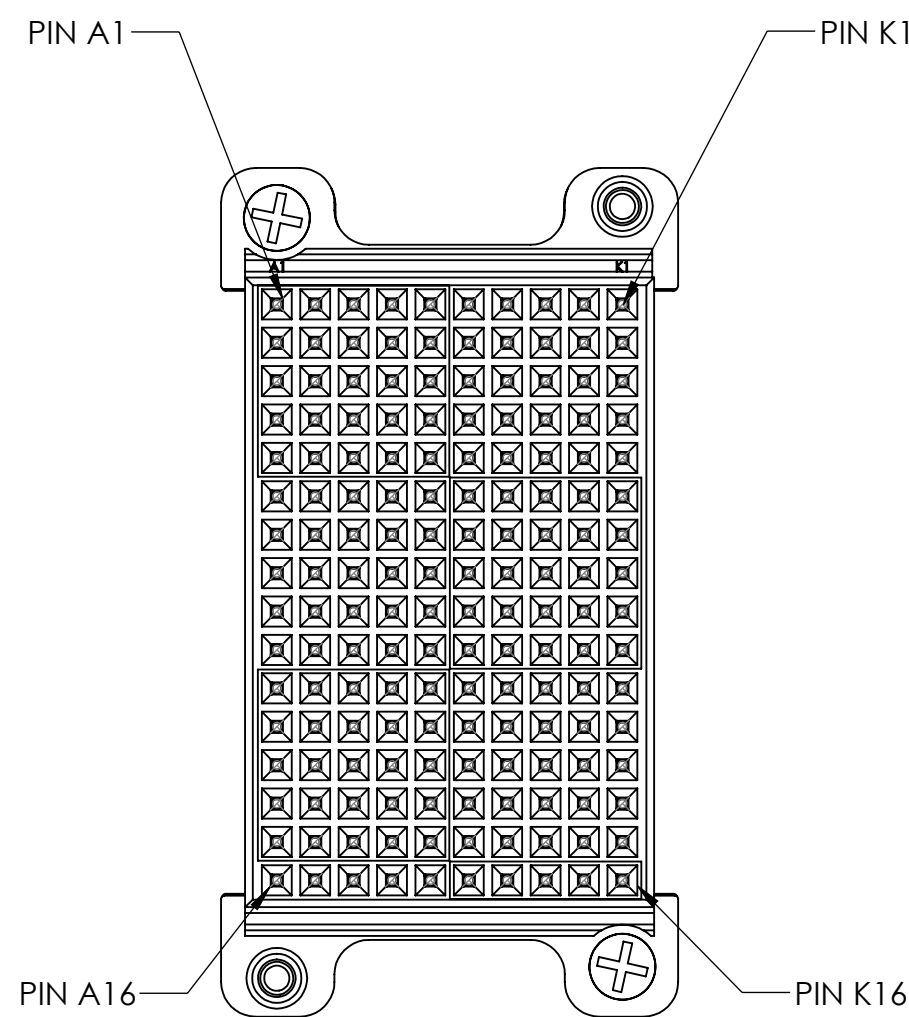
2

1

DO NOT SCALE DRAWING

THE INFORMATION CONTAINED HEREIN IS THE EXCLUSIVE PROPERTY OF VPC AND IS PERMITTED FOR USE BY THE CUSTOMER ONLY. THE DATA SHALL NOT BE DUPLICATED, USED, OR DISCLOSED IN WHOLE OR IN PART FOR ANY PURPOSE OTHER THAN TO MAINTAIN THE EQUIPMENT PROVIDED. CONSULT WITH VPC ENGINEERING IF MORE DETAIL IS REQUIRED.

REVISIONS			
REV	DESCRIPTION	DATE	ENGR
F	ECN #15026	5/30/2025	Z FRENGER



- 3. MATING MODULE: 510161101
- 2. MATERIALS:
 - HOUSING: BLACK LCP
 - MOUNTING HARDWARE: STAINLESS STEEL
 - CONTACT: BERYLLIUM COPPER
 - CONTACT PLATING: 30 μ in. Au OVER 100 μ in. Ni
- 1. FOR MORE INFORMATION, VISIT VPC.COM.

NOTES:

CUSTOMER DRAWING			
VIRGINIA PANEL CORPORATION WWW.VPC.COM			
MODULE, RECEIVER, 160 POS. QP W/ TWIN FEMALE AND ROUND POSTS			
DIMENSIONS ARE SHOWN AS:	SIZE	CAGE CODE	DWG. NO.
[MILLIMETERS] INCHES	C	18117	510160122
SCALE: NONE	510160122	10/28/2013	SHEET 1 OF 1

4

3

2

1

D

C

B

A

D

C

B

A