

4

3

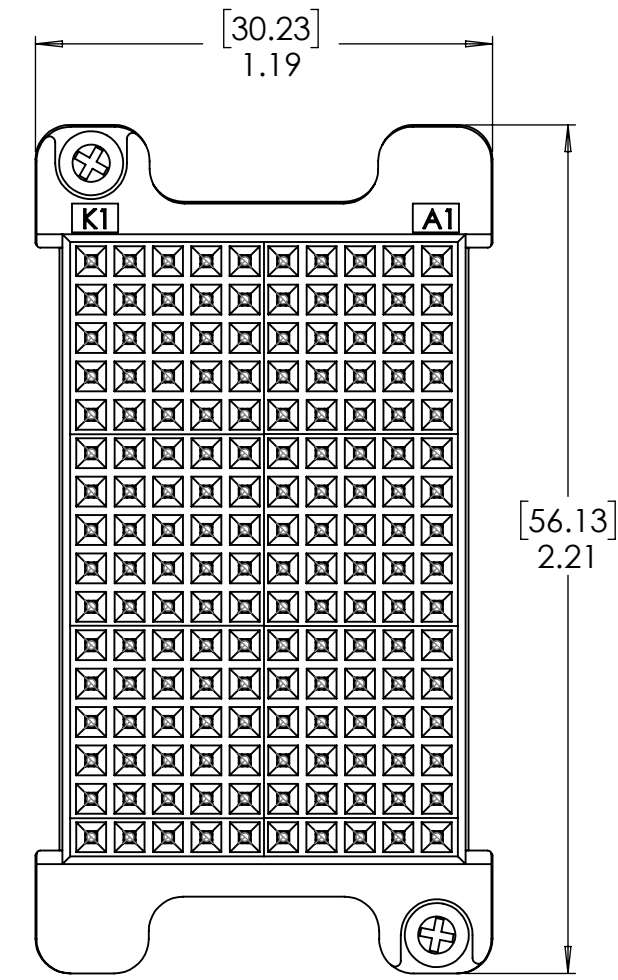
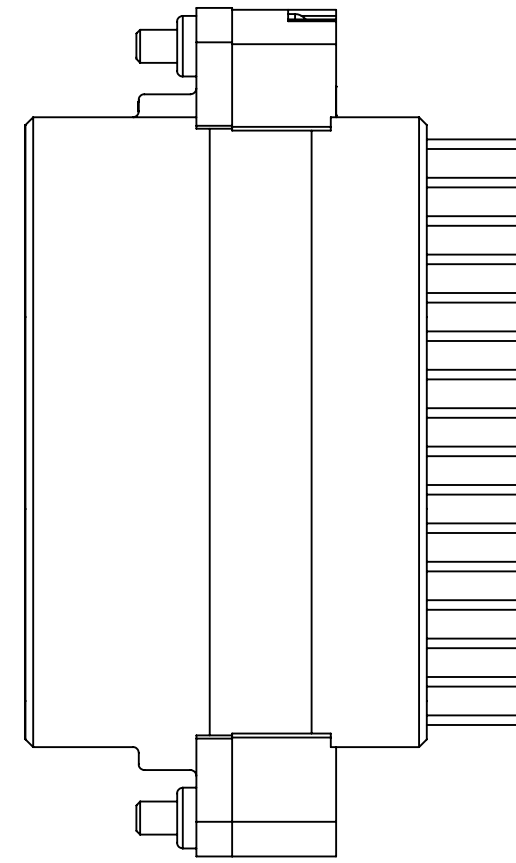
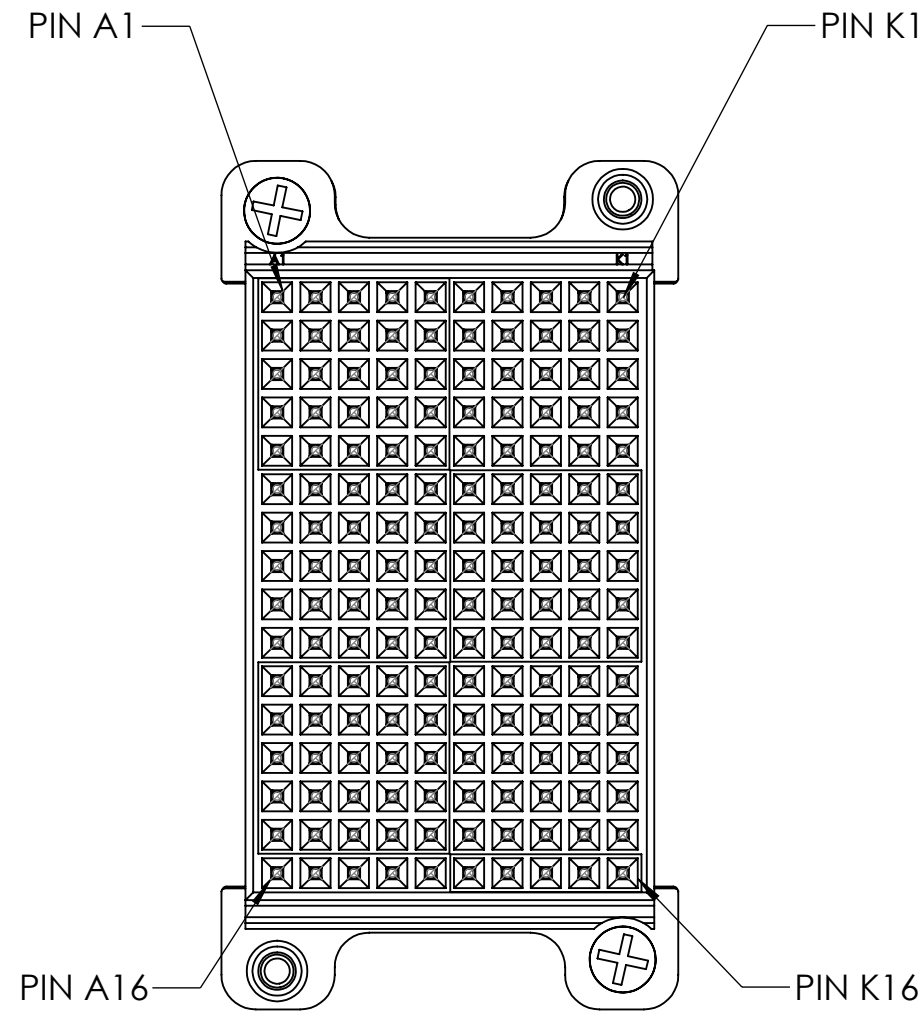
2

1

DO NOT SCALE DRAWING

THE INFORMATION CONTAINED HEREIN IS THE EXCLUSIVE PROPERTY OF VIRGINIA PANEL CORPORATION AND IS SUBMITTED FOR USE BY THE CUSTOMER ONLY. THE DATA SHALL NOT BE DUPLICATED, USED, OR DISCLOSED IN WHOLE OR IN PART FOR ANY PURPOSE OTHER THAN TO MAINTAIN THE EQUIPMENT PROVIDED. CONSULT WITH VIRGINIA PANEL CORPORATION ENGINEERING IF MORE DETAIL IS REQUIRED.

REVISIONS			
REV	DESCRIPTION	DATE	ENGR
A	DRAWING ORIGATION - ECN # 15730	4/7/26	T DODD



3. MATING MODULE: 510161101

2. MATERIALS:
 HOUSING: BLACK LCP
 MOUNTING HARDWARE: STAINLESS STEEL
 CONTACT: BERYLLIUM COPPER
 CONTACT PLATING: 30 μ in. Au OVER 100 μ in. Ni

1. FOR MORE INFORMATION VISIT WWW.VPC.COM

NOTES:

CUSTOMER DRAWING			
VIRGINIA PANEL CORPORATION WWW.VPC.COM			
MODULE, RECEIVER, 160 POS. QP W/ TWIN FEMALE AND SQUARE POSTS			
DIMENSIONS ARE SHOWN AS:	SIZE	CAGE CODE	DWG. NO.
[MILLIMETERS]	C	18117	510160134
INCHES	SCALE: 2:1		REV A
			SHEET 1 OF 1

4

3

2

1