

4

3

2

1

DO NOT SCALE DRAWING

THE INFORMATION CONTAINED HEREIN IS THE EXCLUSIVE PROPERTY OF VPC AND IS PERMITTED FOR USE BY THE CUSTOMER ONLY. THE DATA SHALL NOT BE DUPLICATED, USED, OR DISCLOSED IN WHOLE OR IN PART FOR ANY PURPOSE OTHER THAN TO MAINTAIN THE EQUIPMENT PROVIDED. CONSULT WITH VIRGINIA PANEL CORPORATION ENGINEERING IF MORE DETAIL IS REQUIRED.

| REVISIONS | | | |
|-----------|-------------|------------|----------|
| REV | DESCRIPTION | DATE | ENGR |
| E | ECN #14996 | 05/16/2025 | R GARMAN |

D

D

C

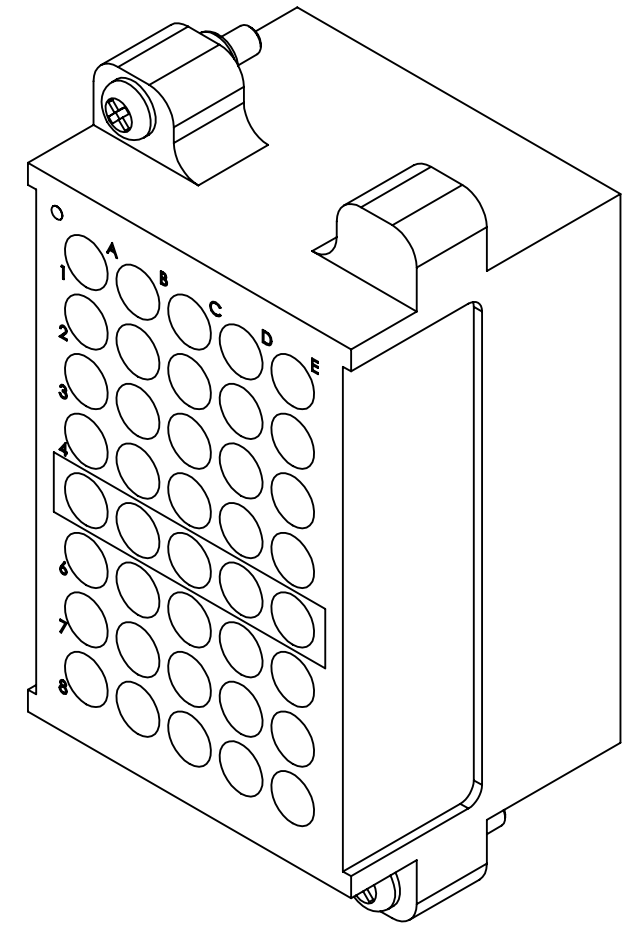
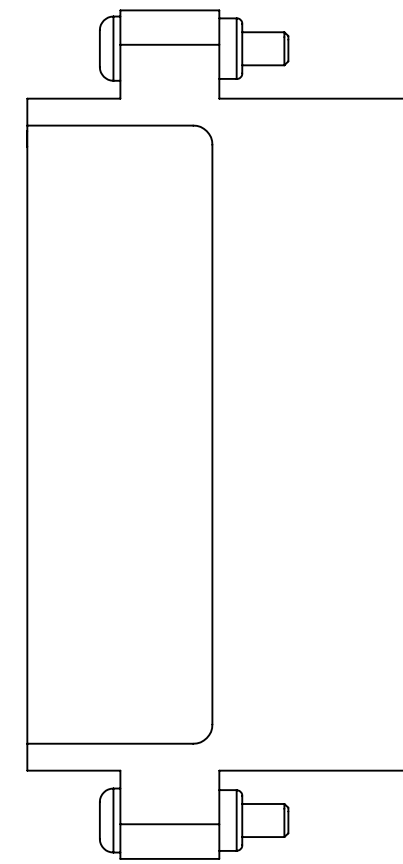
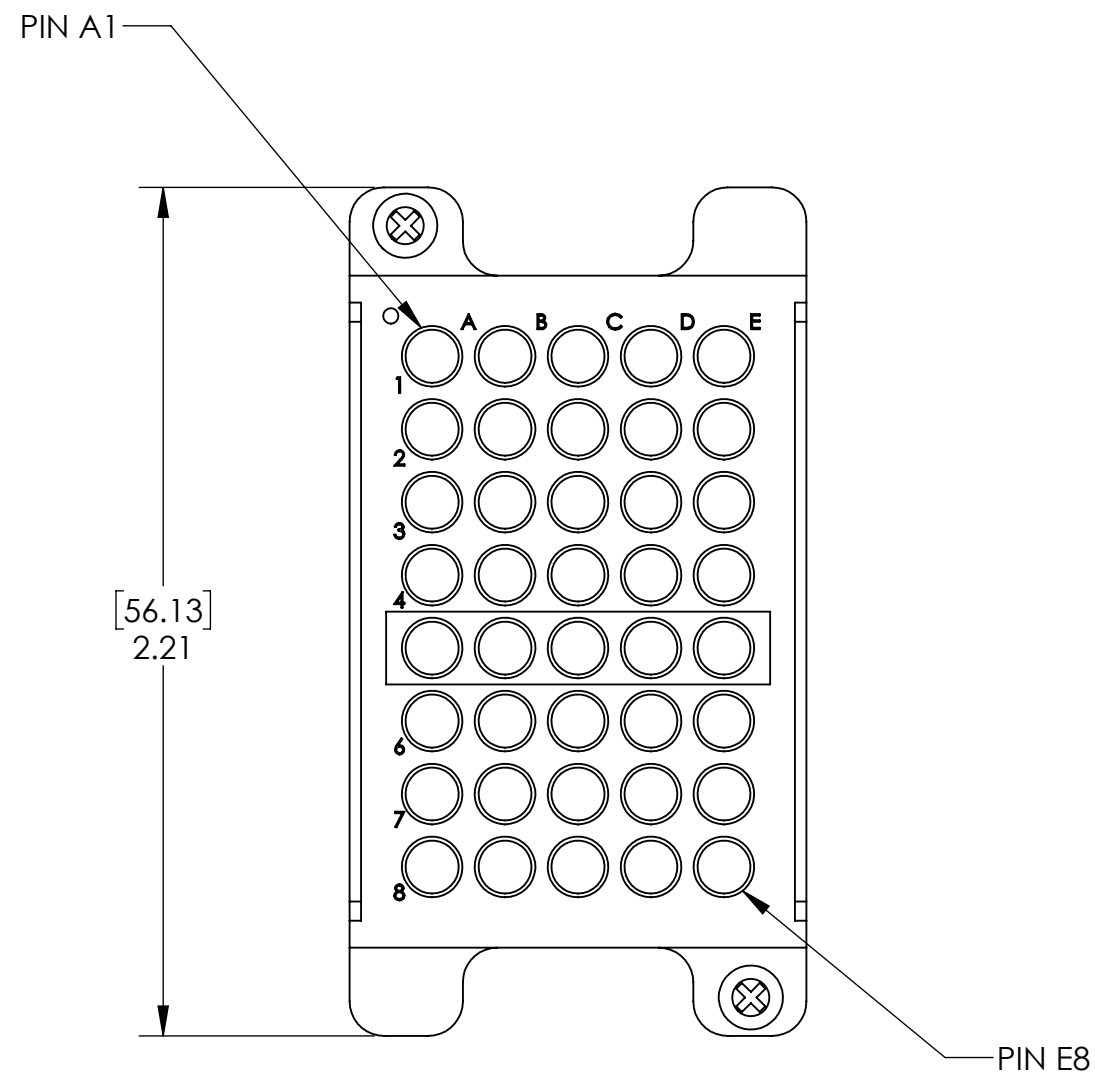
C

B

B

A

A



- NOTES:
- 3. MATING MODULE: 510160106
 - 2. MATERIALS:
HOUSING: GLASS FILLED PPS RESIN
MOUNTING HARDWARE: STAINLESS STEEL
 - 1. FOR MORE INFORMATION, VISIT VPC.COM.

| | | | | | |
|--------------------------|---|-----------|-----------|--------------|-----|
| DIMENSIONS ARE SHOWN AS: | | SIZE | CAGE CODE | DWG. NO. | REV |
| [MILLIMETERS] | C | 18117 | 510161106 | 510161106 | E |
| [INCHES] | | | | | |
| SCALE: NONE | | 510161106 | 2/21/07 | SHEET 1 OF 1 | |

4

3

2

1