

4

3

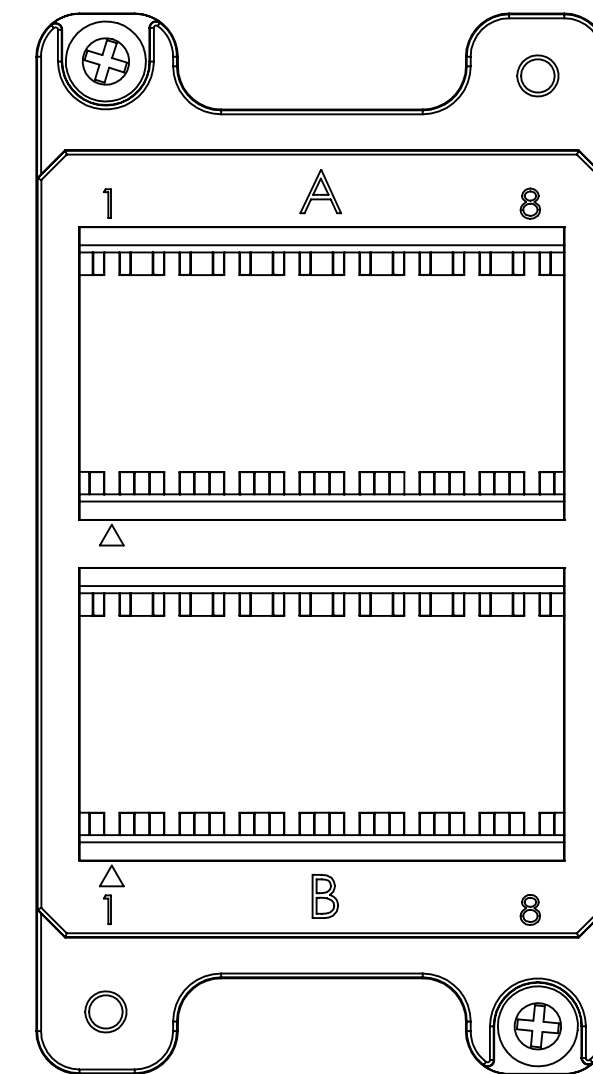
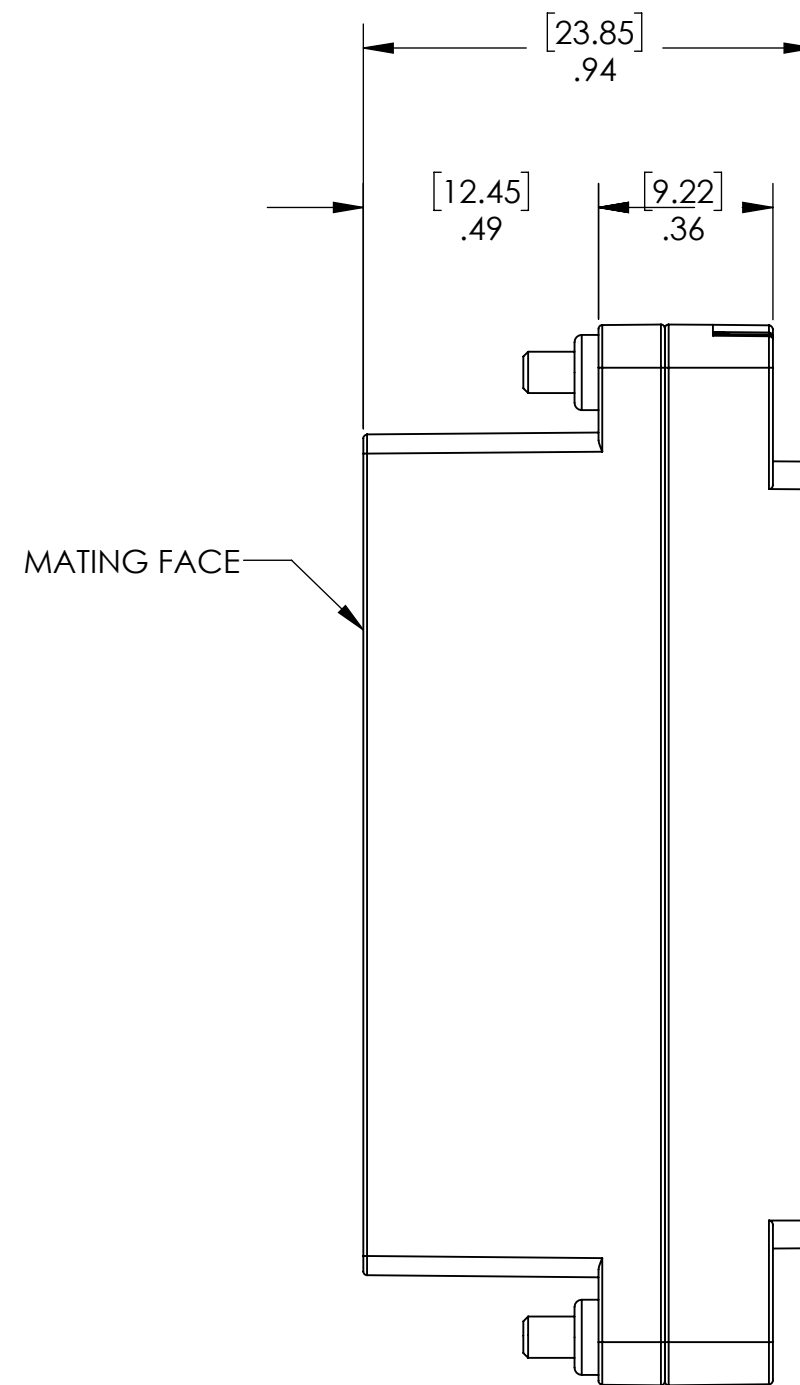
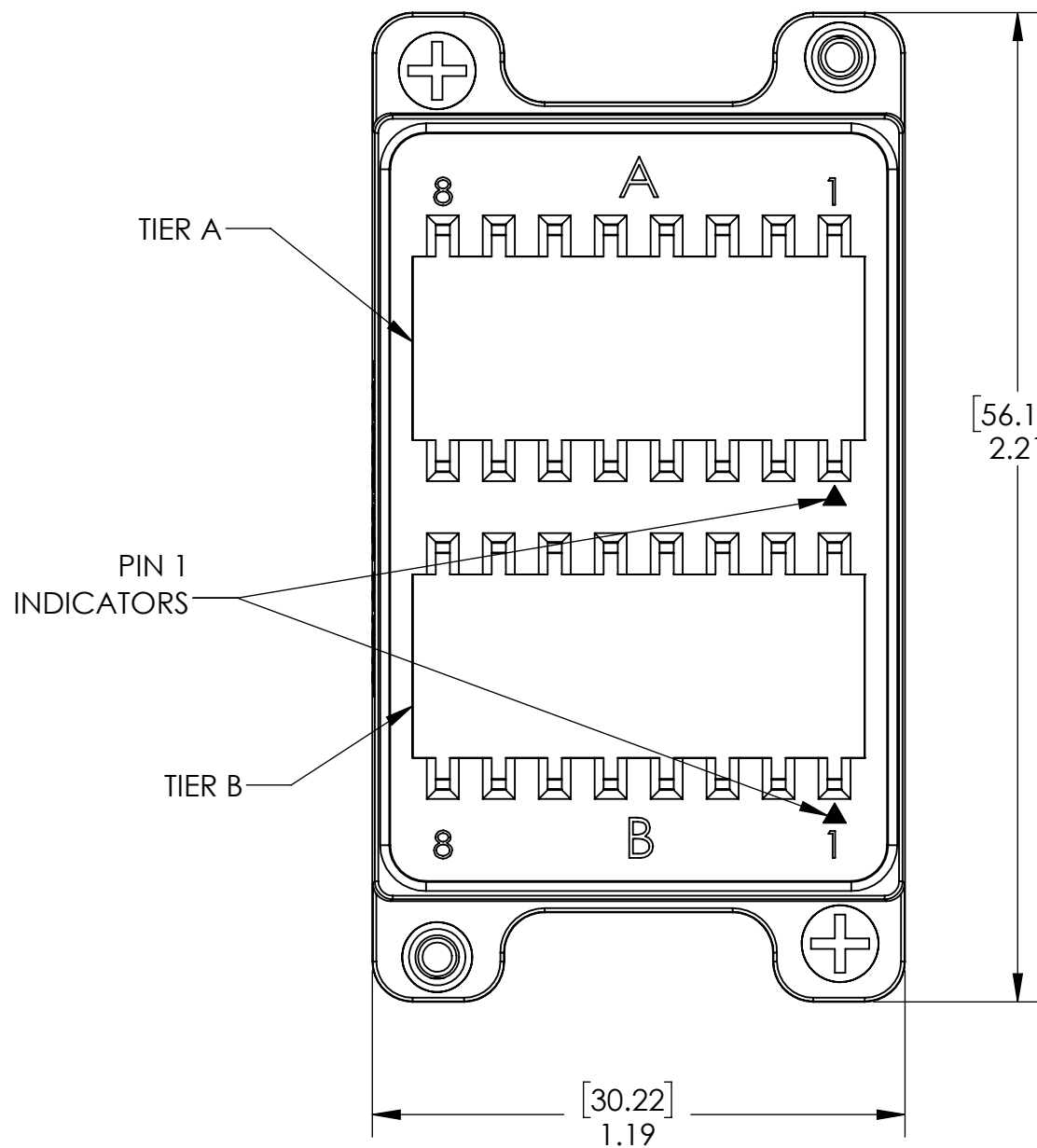
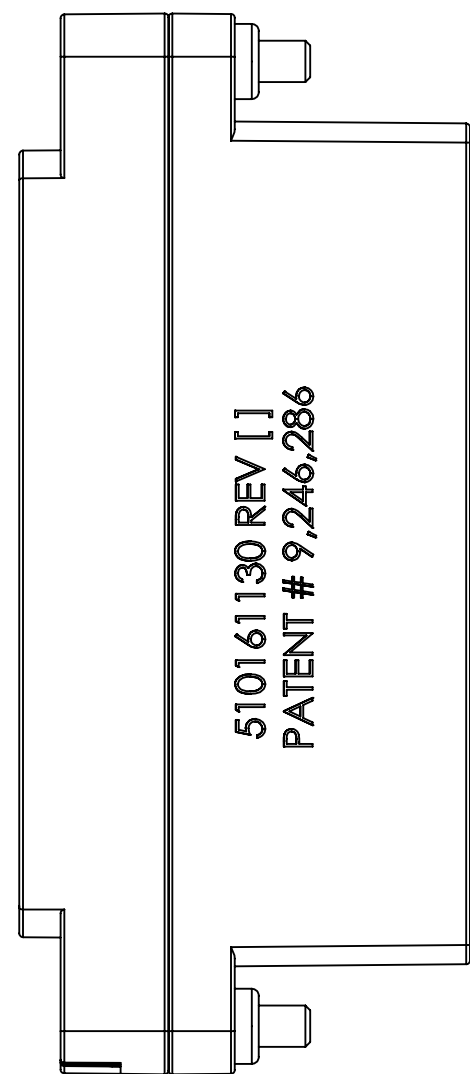
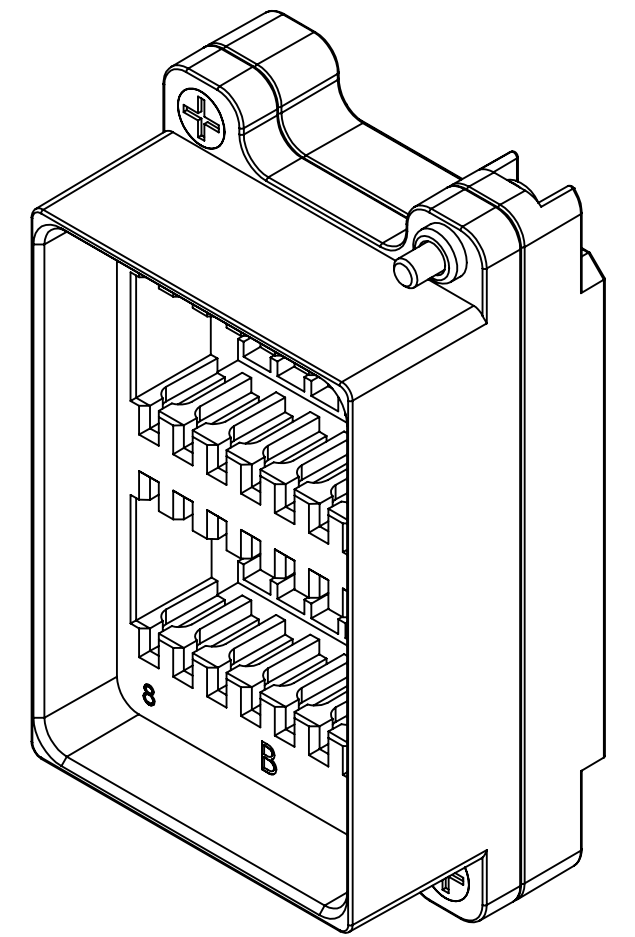
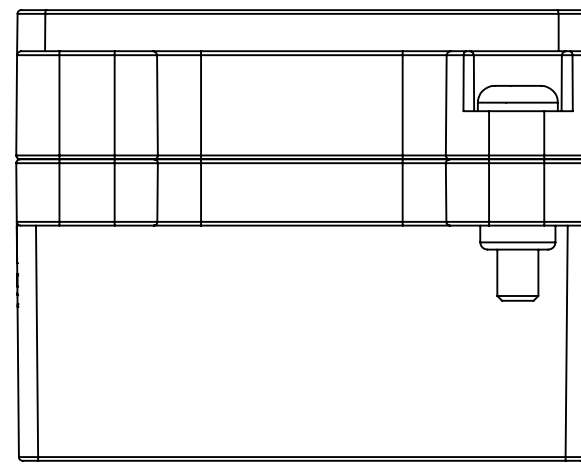
2

1

DO NOT SCALE DRAWING

THE INFORMATION CONTAINED HEREIN IS THE EXCLUSIVE PROPERTY OF VIRGINIA PANEL CORPORATION AND IS SUBMITTED FOR USE BY THE CUSTOMER ONLY. THE DATA SHALL NOT BE DUPLICATED, USED, OR DISCLOSED IN WHOLE OR IN PART FOR ANY PURPOSE OTHER THAN TO MAINTAIN THE EQUIPMENT PROVIDED. CONSULT WITH VIRGINIA PANEL CORPORATION ENGINEERING IF MORE DETAIL IS REQUIRED.

REVISIONS			
REV	DESCRIPTION	DATE	ENGR
A	DRAWING ORIGATION - ECN #11267	3/10/21	R HERRON



2. MATERIALS:
 MODULE SECTIONS - ZINC ALLOY, Ni PLATED
 HARDWARE - STAINLESS STEEL

1. FOR APPLICATION USE & CARE INFORMATION CONSULT VPC USERS GUIDE @WWW.VPC.COM
 NOTES:

RELATIVE CONNECTOR POSITIONS
 AND WIRE ROUTING ARE GENERIC
 AND MAY VARY WITH PINOUT
 DIMENSIONS ARE SHOWN AS:
 [MILLIMETERS]
 INCHES

CUSTOMER DRAWING			
VPC		WWW.VPC.COM	
VTAC, MOD, ITA, ICON, 128POS, 16SL			
SIZE C	CAGE CODE 18117	DWG. NO. 510161130	REV A
SCALE: 2.5:1	510161130	10/14/2020	SHEET 1 OF 1

4

3

2

1