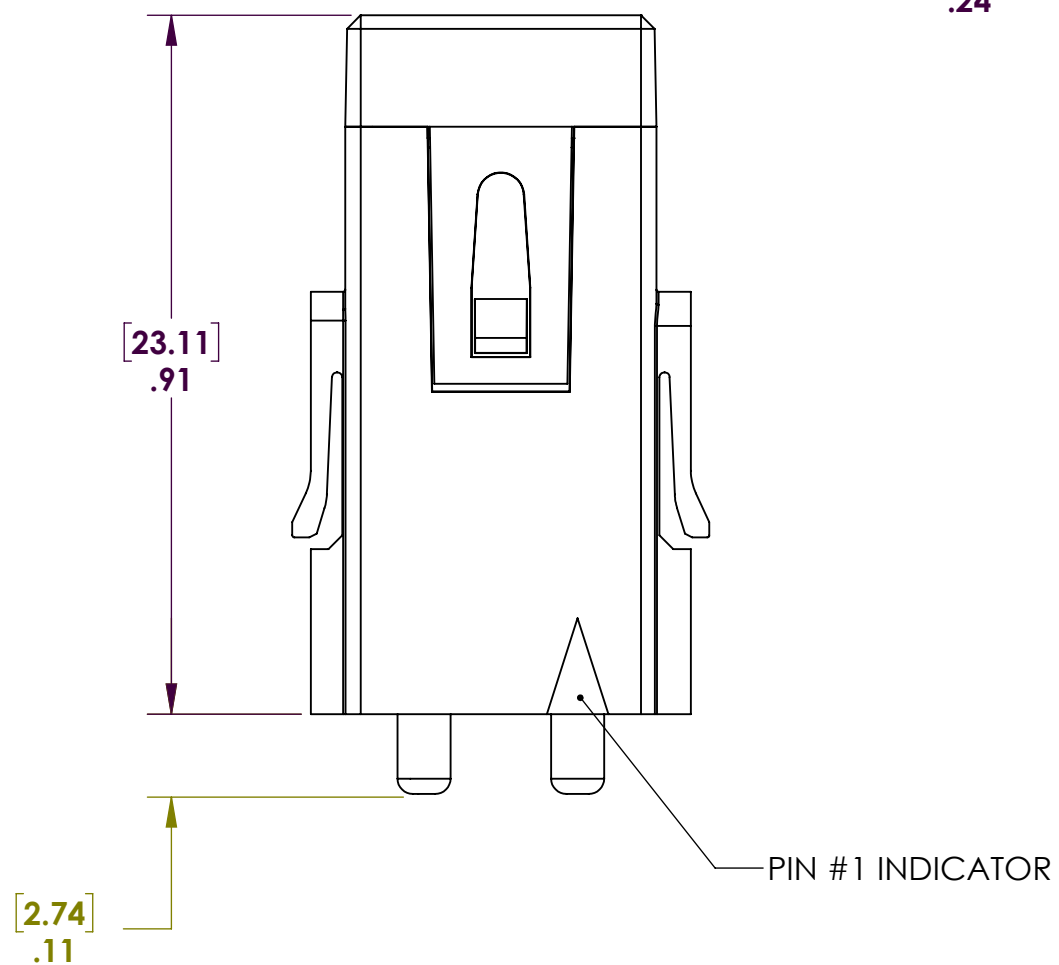
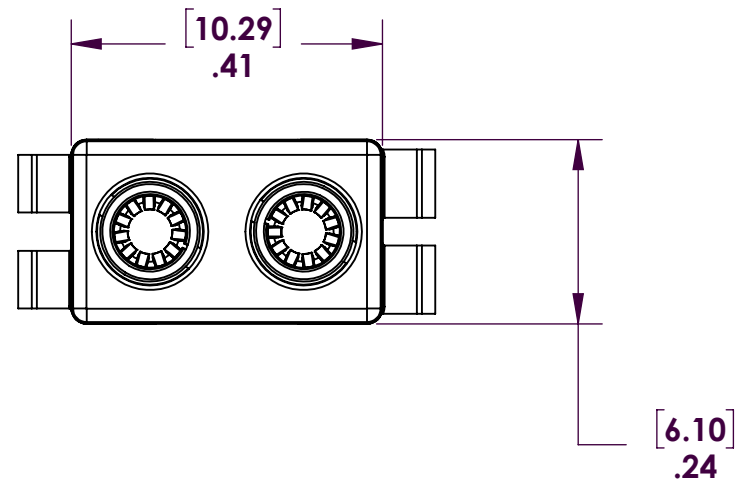


DO NOT SCALE DRAWING

THE INFORMATION CONTAINED HEREIN IS THE EXCLUSIVE PROPERTY OF VPC AND IS INTENDED FOR USE BY THE CUSTOMER ONLY. THE DATA SHALL NOT BE DUPLICATED, USED, OR DISCLOSED IN WHOLE OR IN PART FOR ANY PURPOSE OTHER THAN TO MAINTAIN THE EQUIPMENT PROVIDED. CONSULT WITH VPC ENGINEERING IF MORE DETAIL IS REQUIRED.

REVISIONS

| REV | DESCRIPTION | DATE | ENGR |
|-----|-------------|----------|----------|
| A | ECN #9979 | 10/23/19 | R HERRON |



2. MATERIAL:
 HOUSING - BLACK THERMOPLASTIC CONTACT - Cu
 ALLOW, Au/Ni PLATING
1. EXTRACTION TOOL FOR INSERTS, 910112130, SOLD SEPARATELY.

NOTES:

RELATIVE CONNECTOR POSITIONS
 AND WIRE ROUTING ARE GENERIC
 AND MAY VARY WITH PINOUT

DIMENSIONS ARE SHOWN AS:
**[MILLIMETERS]
 INCHES**

CUSTOMER DRAWING

RCV SIM INSERT 2 POS 2
 SLOT MICRO POWER

DWG.NO. 510180102 REV A

| | | | |
|--------|------------|-----------------|--------------|
| SIZE B | SCALE NONE | CAGE CODE 18117 | SHEET 1 OF 1 |
|--------|------------|-----------------|--------------|