

4

3

2

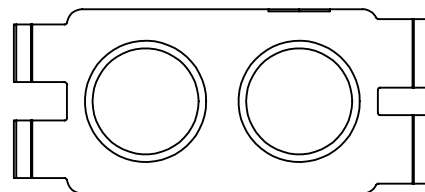
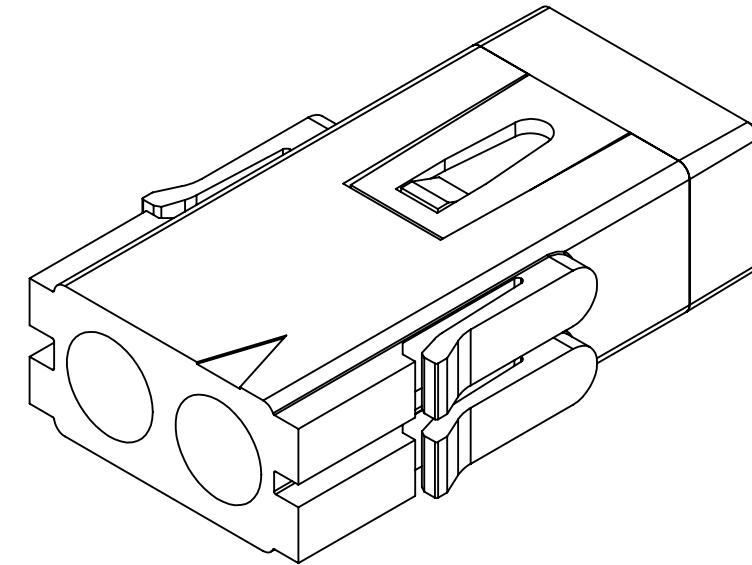
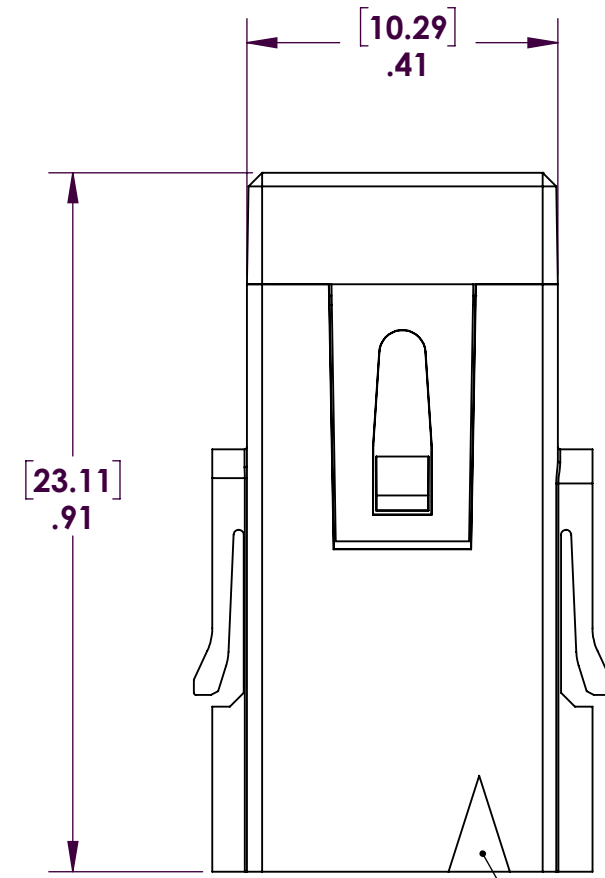
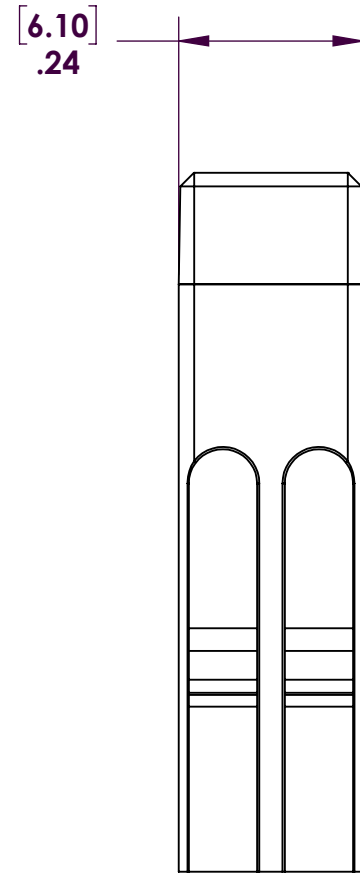
1

DO NOT SCALE DRAWING

THE INFORMATION CONTAINED HEREIN IS THE EXCLUSIVE PROPERTY OF VIRGINIA PANEL CORPORATION AND IS SUBMITTED FOR USE BY THE CUSTOMER ONLY. THE DATA SHALL NOT BE DUPLICATED, USED, OR DISCLOSED IN WHOLE OR IN PART FOR ANY PURPOSE OTHER THAN TO MAINTAIN THE EQUIPMENT PROVIDED. CONSULT WITH VIRGINIA PANEL CORPORATION ENGINEERING IF MORE DETAIL IS REQUIRED.

REVISIONS

REV	DESCRIPTION	DATE	ENGR
A	DRAWING ORIGATION - ECN #9979	10/23/19	R HERRON



PIN #1 INDICATOR

- 3. MATERIAL: BLACK THERMOPLASTIC
- 2. EXTRACTION TOOL FOR INSERTS, 910112130, SOLD SEPARATELY

NOTES:

RELATIVE CONNECTOR POSITIONS
AND WIRE ROUTING ARE GENERIC
AND MAY VARY WITH PINOUT

DIMENSIONS ARE SHOWN AS:
[MILLIMETERS]
INCHES

CUSTOMER DRAWING			
VPC			
SIM RCV INSERT			
2 POS 2 SLOT MICRO			
PWR/ MICRO CX			
DWG.NO.		REV	
510180104		A	
SIZE	SCALE	CAGE CODE	SHEET
B	NONE	18117	1 OF 1

4

3

2

1