

4

3

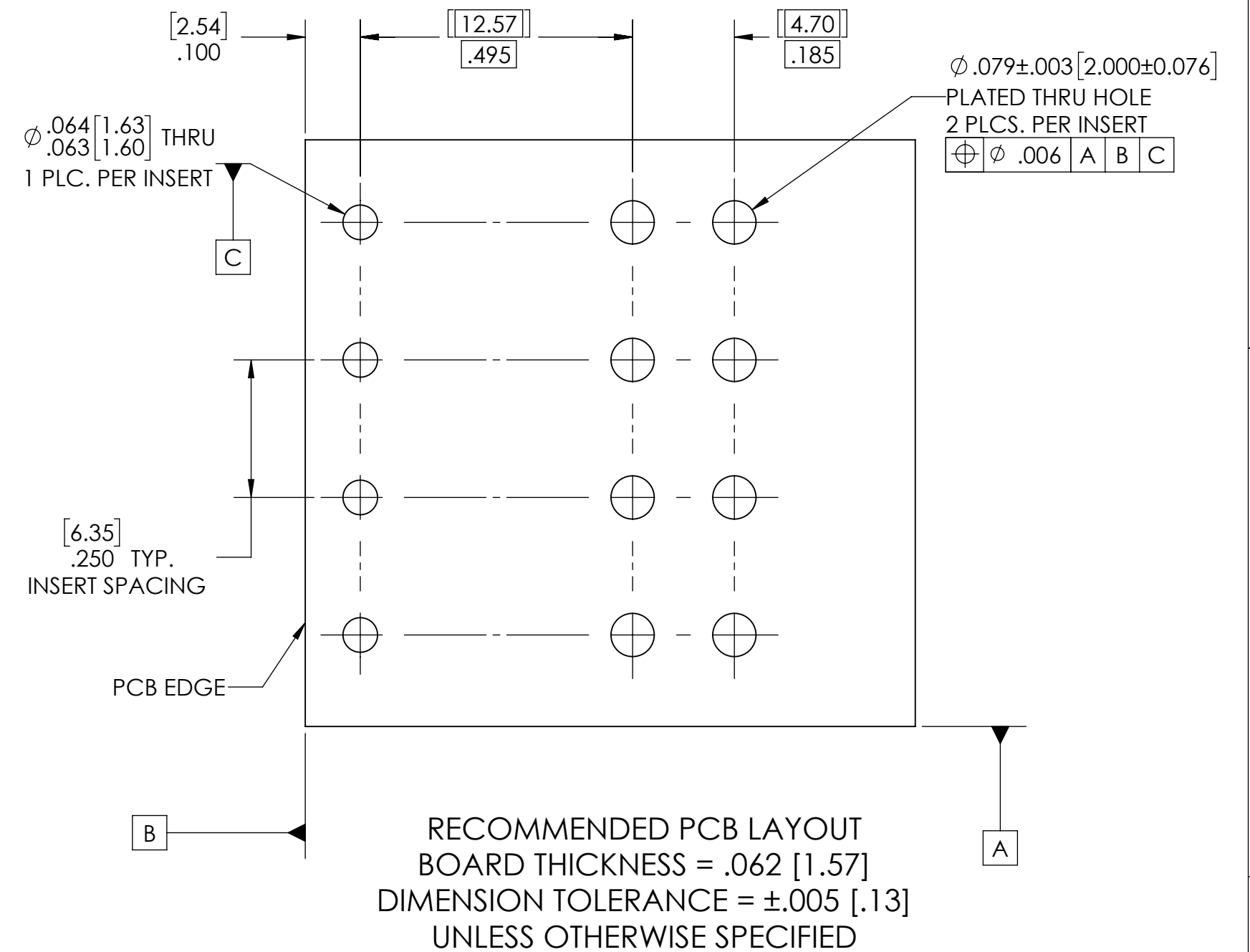
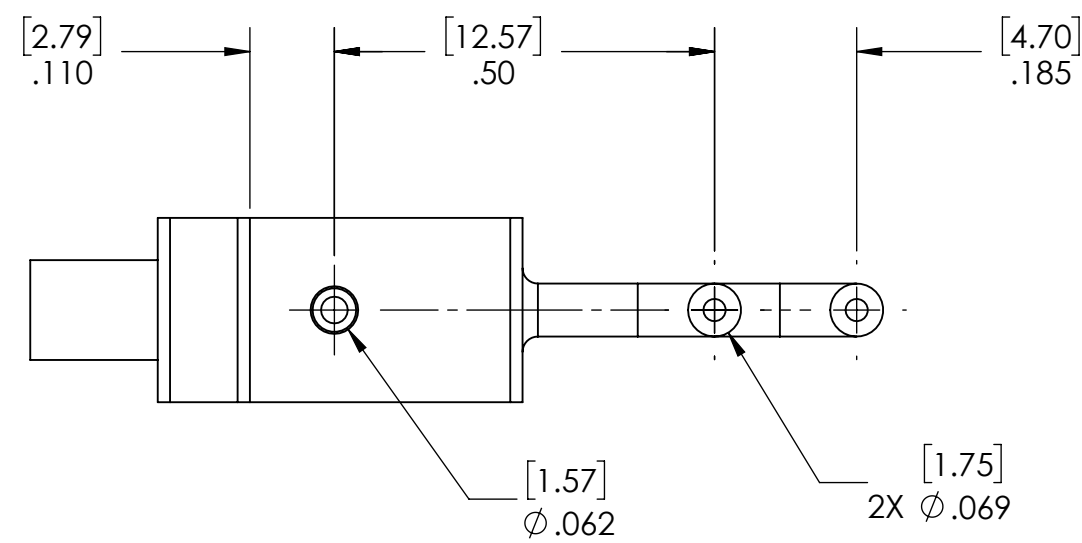
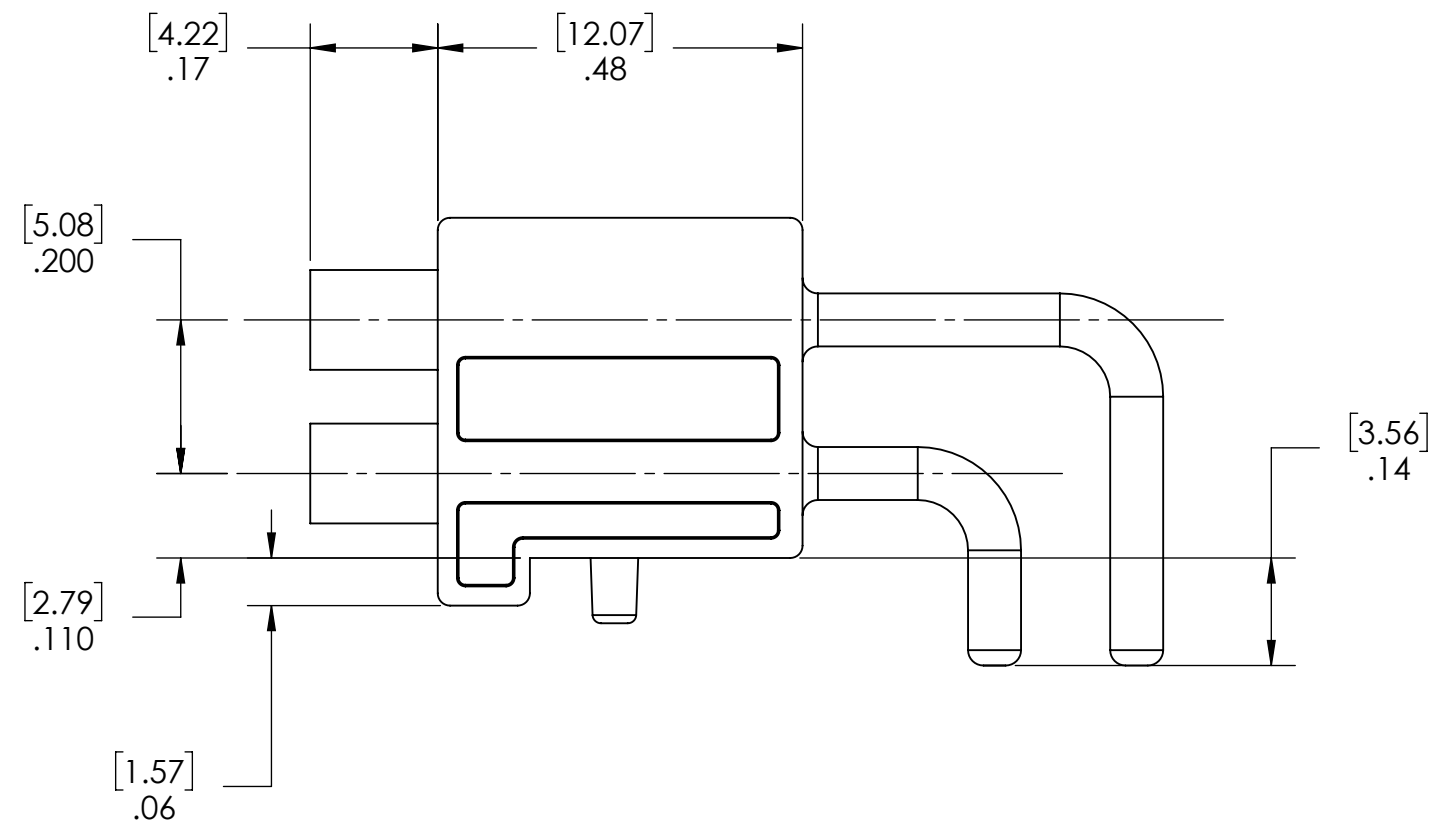
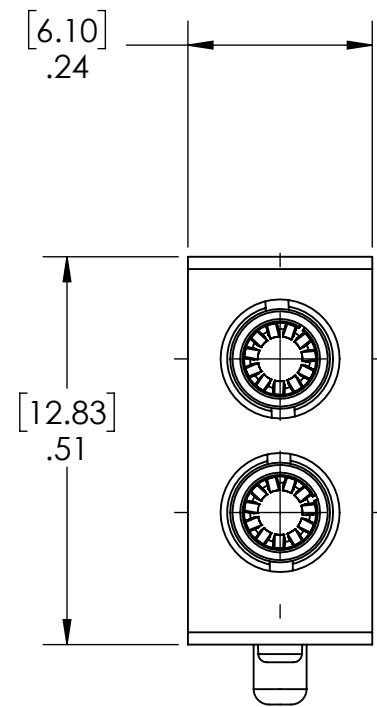
2

1

DO NOT SCALE DRAWING

THE INFORMATION CONTAINED HEREIN IS THE EXCLUSIVE PROPERTY OF VIRGINIA PANEL CORPORATION AND IS SUBMITTED FOR USE BY THE CUSTOMER ONLY. THE DATA SHALL NOT BE DUPLICATED, USED, OR DISCLOSED IN WHOLE OR IN PART FOR ANY PURPOSE OTHER THAN TO MAINTAIN THE EQUIPMENT PROVIDED. CONSULT WITH VIRGINIA PANEL CORPORATION ENGINEERING IF MORE DETAIL IS REQUIRED.

REVISIONS			
REV	DESCRIPTION	DATE	ENGR
A	DRAWING ORIGATION - ECN #10145	4/1/2020	D ASHBY



NOTES:

<b>CUSTOMER DRAWING</b>			
<b>VPC</b>			
RCV/ITA RIGHT ANGLE 2 POS 2 SLOT MICRO POWER			
RELATIVE CONNECTOR POSITIONS AND WIRE ROUTING ARE GENERIC AND MAY VARY WITH PINOUT	SIZE C	CAGE CODE 18117	DWG. NO. 510181103
DIMENSIONS ARE SHOWN AS: [MILLIMETERS] INCHES	SCALE: 4:1	510181103	REV A
Date	SHEET	1 OF 1	

4

3

2

1