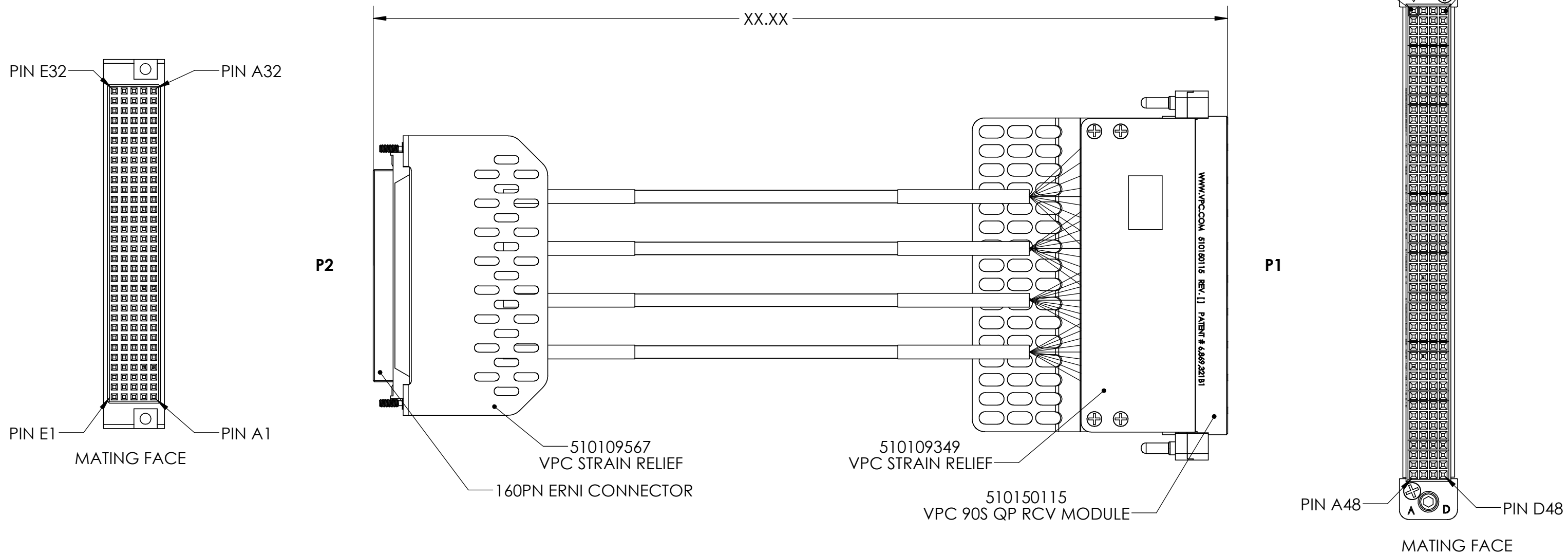


DO NOT SCALE DRAWING

THE INFORMATION CONTAINED HEREIN IS THE EXCLUSIVE PROPERTY OF VIRGINIA PANEL CORPORATION AND IS SUBMITTED FOR USE BY THE CUSTOMER ONLY. THE DATA SHALL NOT BE DUPLICATED, USED, OR DISCLOSED IN WHOLE OR IN PART FOR ANY PURPOSE OTHER THAN TO MAINTAIN THE EQUIPMENT PROVIDED. CONSULT WITH VIRGINIA PANEL CORPORATION ENGINEERING IF MORE DETAIL IS REQUIRED.

REV	DESCRIPTION	DATE	ENGINEER
A	ORIGINAL RELEASE ECN #ECN 10121	3/26/2020	S MULLINS



MATING MODULE: 510151105 (1)
MATING PATCHCORDS: 7-121424000-036 (80)

VPC P/N 540069150X40 WHERE X =	LENGTH XX.XX"
1	20.00" [508]
2	36.00" [914]
6	48.00" [1219]
9	60.00" [1524]
5	72.00" [1829]

RELATIVE CONNECTOR POSITIONS AND WIRE ROUTING ARE GENERIC AND MAY VARY WITH PINOUT

DIMENSIONS ARE SHOWN AS:
[MILLIMETERS]
INCHES

CUSTOMER DRAWING

**CBA QP 20"
160 DIN FML**

DWG.NO. **540069150X40** REV **A**

SIZE B	SCALE NONE	CAGE CODE 18117	SHEET 1 OF 1
-----------	---------------	--------------------	-----------------

1. FOR APPLICATION USE AND CARE INFORMATION CONSULT VPC USERS GUIDE @ WWW.VPC.COM

NOTES:

Run #	From Location (Conn - Pin)	Contact	Wire AWG	Wire/Patchcord P/N	Length (in)	Wire Color	T/P #	To Location (Conn - Pin)	LEG #	Signal Desc	Contact	Notes
1	P1-A1	610138216	24 T/P	7-124424536-XXX	-	WHT	1	P2-D32	1	C1-	270009	
2	P1-B1	610138216			-	BLK		P2-C32		C1+	270009	
3	P1-C1	610138216	24 T/P	7-124424536-XXX	-	WHT	2	P2-B32		C0-	270009	
4	P1-D1	610138216			-	BLK		P2-A32		C0+	270009	
5	P1-A2	610138216	24 T/P	7-124424536-XXX	-	WHT	3	P2-E32		R0+	270009	
6	P1-B2	610138216			-	BLK		P2-E31		R0-	270009	
7	P1-C2	610138216	24 T/P	7-124424536-XXX	-	WHT	4	P2-D31		C3-	270009	
8	P1-D2	610138216			-	BLK		P2-C31		C3+	270009	
9	P1-A3	610138216	24 T/P	7-124424536-XXX	-	WHT	5	P2-B31		C2-	270009	
10	P1-B3	610138216			-	BLK		P2-A31		C2+	270009	
11	P1-C3	610138216	24 T/P	7-124424536-XXX	-	WHT	6	P2-D30		C5-	270009	
12	P1-D3	610138216			-	BLK		P2-C30		C5+	270009	
13	P1-A4	610138216	24 T/P	7-124424536-XXX	-	WHT	7	P2-B30		C4-	270009	
14	P1-B4	610138216			-	BLK		P2-A30		C4+	270009	
15	P1-C4	610138216	24 T/P	7-124424536-XXX	-	WHT	8	P2-E30		R1+	270009	
16	P1-D4	610138216			-	BLK		P2-E29		R1-	270009	
17	P1-A5	610138216	24 T/P	7-124424536-XXX	-	WHT	9	P2-D29		C7-	270009	
18	P1-B5	610138216			-	BLK		P2-C29		C7+	270009	
19	P1-C5	610138216	24 T/P	7-124424536-XXX	-	WHT	10	P2-B29		C6-	270009	
20	P1-D5	610138216			-	BLK		P2-A29		C6+	270009	
21	P1-A6	610138216	24 T/P	7-124424536-XXX	-	WHT	11	P2-D28		C9-	270009	
22	P1-B6	610138216			-	BLK		P2-C28		C9+	270009	
23	P1-C6	610138216	24 T/P	7-124424536-XXX	-	WHT	12	P2-B28		C8-	270009	
24	P1-D6	610138216			-	BLK		P2-A28		C8+	270009	
25	P1-A7	610138216	24 T/P	7-124424536-XXX	-	WHT	13	P2-E28		R2+	270009	
26	P1-B7	610138216			-	BLK		P2-E27		R2-	270009	
27	P1-C7	610138216	24 T/P	7-124424536-XXX	-	WHT	14	P2-D27		C11-	270009	
28	P1-D7	610138216			-	BLK		P2-C27		C11+	270009	
29	P1-A8	610138216	24 T/P	7-124424536-XXX	-	WHT	15	P2-B27		C10-	270009	
30	P1-B8	610138216			-	BLK		P2-A27		C10+	270009	
31	P1-C8	610138216	24 T/P	7-124424536-XXX	-	WHT	16	P2-D26		C13-	270009	
32	P1-D8	610138216			-	BLK		P2-C26		C13+	270009	
33	P1-A9	610138216	24 T/P	7-124424536-XXX	-	WHT	17	P2-B26		C12-	270009	
34	P1-B9	610138216			-	BLK		P2-A26		C12+	270009	
35	P1-C9	610138216	24 T/P	7-124424536-XXX	-	WHT	18	P2-E26		R3+	270009	
36	P1-D9	610138216			-	BLK		P2-E25		R3-	270009	
37	P1-A10	610138216	24 T/P	7-124424536-XXX	-	WHT	19	P2-D25		C15-	270009	
38	P1-B10	610138216			-	BLK		P2-C25		C15+	270009	
39	P1-C10	610138216	24 T/P	7-124424536-XXX	-	WHT	20	P2-B25		C14-	270009	
40	P1-D10	610138216			-	BLK		P2-A25		C14+	270009	

Run #	From Location (Conn - Pin)	Contact	Wire AWG	Wire/Patchcord P/N	Length (in)	Wire Color	T/P #	To Location (Conn - Pin)	LEG #	Signal Desc	Contact	Notes
41	P1-A11	610138216	24 T/P	7-124424536-XXX	-	WHT	21	P2-D24	2	C17-	270009	
42	P1-B11	610138216			-	BLK		P2-C24		C17+	270009	
43	P1-C11	610138216	24 T/P	7-124424536-XXX	-	WHT	22	P2-B24		C16-	270009	
44	P1-D11	610138216			-	BLK		P2-A24		C16+	270009	
45	P1-A12	610138216	24 T/P	7-124424536-XXX	-	WHT	23	P2-E24		R0+	270009	
46	P1-B12	610138216			-	BLK		P2-E23		R0-	270009	
47	P1-C12	610138216	24 T/P	7-124424536-XXX	-	WHT	24	P2-D23		C19-	270009	
48	P1-D12	610138216			-	BLK		P2-C23		C19+	270009	
49	P1-A13	610138216	24 T/P	7-124424536-XXX	-	WHT	25	P2-B23		C18-	270009	
50	P1-B13	610138216			-	BLK		P2-A23		C18+	270009	
51	P1-C13	610138216	24 T/P	7-124424536-XXX	-	WHT	26	P2-D22		C21-	270009	
52	P1-D13	610138216			-	BLK		P2-C22		C21+	270009	
53	P1-A14	610138216	24 T/P	7-124424536-XXX	-	WHT	27	P2-B22		C20-	270009	
54	P1-B14	610138216			-	BLK		P2-A22		C20+	270009	
55	P1-C14	610138216	24 T/P	7-124424536-XXX	-	WHT	28	P2-E22		R1+	270009	
56	P1-D14	610138216			-	BLK		P2-E21		R1-	270009	
57	P1-A15	610138216	24 T/P	7-124424536-XXX	-	WHT	29	P2-D21		C23-	270009	
58	P1-B15	610138216			-	BLK		P2-C21		C23+	270009	
59	P1-C15	610138216	24 T/P	7-124424536-XXX	-	WHT	30	P2-B21		C22-	270009	
60	P1-D15	610138216			-	BLK		P2-A21		C22+	270009	
61	P1-A16	610138216	24 T/P	7-124424536-XXX	-	WHT	31	P2-D20		C25-	270009	
62	P1-B16	610138216			-	BLK		P2-C20		C25+	270009	
63	P1-C16	610138216	24 T/P	7-124424536-XXX	-	WHT	32	P2-B20		C24-	270009	
64	P1-D16	610138216			-	BLK		P2-A20		C24+	270009	
65	P1-A17	610138216	24 T/P	7-124424536-XXX	-	WHT	33	P2-E20		R2+	270009	
66	P1-B17	610138216			-	BLK		P2-E19		R2-	270009	
67	P1-C17	610138216	24 T/P	7-124424536-XXX	-	WHT	34	P2-D19		C27-	270009	
68	P1-D17	610138216			-	BLK		P2-C19		C27+	270009	
69	P1-A18	610138216	24 T/P	7-124424536-XXX	-	WHT	35	P2-B19		C26-	270009	
70	P1-B18	610138216			-	BLK		P2-A19		C26+	270009	
71	P1-C18	610138216	24 T/P	7-124424536-XXX	-	WHT	36	P2-D18		C29-	270009	
72	P1-D18	610138216			-	BLK		P2-C18		C29+	270009	
73	P1-A19	610138216	24 T/P	7-124424536-XXX	-	WHT	37	P2-B18		C28-	270009	
74	P1-B19	610138216			-	BLK		P2-A18		C28+	270009	
75	P1-C19	610138216	24 T/P	7-124424536-XXX	-	WHT	38	P2-E18		R3+	270009	
76	P1-D19	610138216			-	BLK		P2-E17		R3-	270009	
77	P1-A20	610138216	24 T/P	7-124424536-XXX	-	WHT	39	P2-D17		C31-	270009	
78	P1-B20	610138216			-	BLK		P2-C17		C31+	270009	
79	P1-C20	610138216	24 T/P	7-124424536-XXX	-	WHT	40	P2-B17		C30-	270009	
80	P1-D20	610138216			-	BLK		P2-A17		C30+	270009	

Run #	From Location (Conn - Pin)	Contact	Wire AWG	Wire/Patchcord P/N	Length (in)	Wire Color	T/P #	To Location (Conn - Pin)	LEG #	Signal Desc	Contact	Notes
81	P1-A21	610138216	24 T/P	7-124424536-XXX	-	WHT	41	P2-D16	3	C1-	270009	
82	P1-B21	610138216			-	BLK		P2-C16		C1+	270009	
83	P1-C21	610138216	24 T/P	7-124424536-XXX	-	WHT	42	P2-B16		C0-	270009	
84	P1-D21	610138216			-	BLK		P2-A16		C0+	270009	
85	P1-A22	610138216	24 T/P	7-124424536-XXX	-	WHT	43	P2-E16		R4+	270009	
86	P1-B22	610138216			-	BLK		P2-E15		R4-	270009	
87	P1-C22	610138216	24 T/P	7-124424536-XXX	-	WHT	44	P2-D15		C3-	270009	
88	P1-D22	610138216			-	BLK		P2-C15		C3+	270009	
89	P1-A23	610138216	24 T/P	7-124424536-XXX	-	WHT	45	P2-B15		C2-	270009	
90	P1-B23	610138216			-	BLK		P2-A15		C2+	270009	
91	P1-C23	610138216	24 T/P	7-124424536-XXX	-	WHT	46	P2-D14		C5-	270009	
92	P1-D23	610138216			-	BLK		P2-C14		C5+	270009	
93	P1-A24	610138216	24 T/P	7-124424536-XXX	-	WHT	47	P2-B14		C4-	270009	
94	P1-B24	610138216			-	BLK		P2-A14		C4+	270009	
95	P1-C24	610138216	24 T/P	7-124424536-XXX	-	WHT	48	P2-E14		R5+	270009	
96	P1-D24	610138216			-	BLK		P2-E13		R5-	270009	
97	P1-A25	610138216	24 T/P	7-124424536-XXX	-	WHT	49	P2-D13		C7-	270009	
98	P1-B25	610138216			-	BLK		P2-C13		C7+	270009	
99	P1-C25	610138216	24 T/P	7-124424536-XXX	-	WHT	50	P2-B13		C6-	270009	
100	P1-D25	610138216			-	BLK		P2-A13		C6+	270009	
101	P1-A26	610138216	24 T/P	7-124424536-XXX	-	WHT	51	P2-D12		C9-	270009	
102	P1-B26	610138216			-	BLK		P2-C12		C9+	270009	
103	P1-C26	610138216	24 T/P	7-124424536-XXX	-	WHT	52	P2-B12		C8-	270009	
104	P1-D26	610138216			-	BLK		P2-A12		C8+	270009	
105	P1-A27	610138216	24 T/P	7-124424536-XXX	-	WHT	53	P2-E12	R6+	270009		
106	P1-B27	610138216			-	BLK		P2-E11	R6-	270009		
107	P1-C27	610138216	24 T/P	7-124424536-XXX	-	WHT	54	P2-D11	C11-	270009		
108	P1-D27	610138216			-	BLK		P2-C11	C11+	270009		
109	P1-A28	610138216	24 T/P	7-124424536-XXX	-	WHT	55	P2-B11	C10-	270009		
110	P1-B28	610138216			-	BLK		P2-A11	C10+	270009		
111	P1-C28	610138216	24 T/P	7-124424536-XXX	-	WHT	56	P2-D10	C13-	270009		
112	P1-D28	610138216			-	BLK		P2-C10	C13+	270009		
113	P1-A29	610138216	24 T/P	7-124424536-XXX	-	WHT	57	P2-B10	C12-	270009		
114	P1-B29	610138216			-	BLK		P2-A10	C12+	270009		
115	P1-C29	610138216	24 T/P	7-124424536-XXX	-	WHT	58	P2-E10	R7+	270009		
116	P1-D29	610138216			-	BLK		P2-E9	R7-	270009		
117	P1-A30	610138216	24 T/P	7-124424536-XXX	-	WHT	59	P2-D9	C15-	270009		
118	P1-B30	610138216			-	BLK		P2-C9	C15+	270009		
119	P1-C30	610138216	24 T/P	7-124424536-XXX	-	WHT	60	P2-B9	C14-	270009		
120	P1-D30	610138216			-	BLK		P2-A9	C14+	270009		

Run #	From Location (Conn - Pin)	Contact	Wire AWG	Wire/Patchcord P/N	Length (in)	Wire Color	T/P #	To Location (Conn - Pin)	LEG #	Signal Desc	Contact	Notes
121	P1-A31	610138216	24 T/P	7-124424536-XXX	-	WHT	61	P2-D8	4	C17-	270009	
122	P1-B31	610138216			-	BLK		P2-C8		C17+	270009	
123	P1-C31	610138216	24 T/P	7-124424536-XXX	-	WHT	62	P2-B8		C16-	270009	
124	P1-D31	610138216			-	BLK		P2-A8		C16+	270009	
125	P1-A32	610138216	24 T/P	7-124424536-XXX	-	WHT	63	P2-E8		R4+	270009	
126	P1-B32	610138216			-	BLK		P2-E7		R4-	270009	
127	P1-C32	610138216	24 T/P	7-124424536-XXX	-	WHT	64	P2-D7		C19-	270009	
128	P1-D32	610138216			-	BLK		P2-C7		C19+	270009	
129	P1-A33	610138216	24 T/P	7-124424536-XXX	-	WHT	65	P2-B7		C18-	270009	
130	P1-B33	610138216			-	BLK		P2-A7		C18+	270009	
131	P1-C33	610138216	24 T/P	7-124424536-XXX	-	WHT	66	P2-D6		C21-	270009	
132	P1-D33	610138216			-	BLK		P2-C6		C21+	270009	
133	P1-A34	610138216	24 T/P	7-124424536-XXX	-	WHT	67	P2-B6		C20-	270009	
134	P1-B34	610138216			-	BLK		P2-A6		C20+	270009	
135	P1-C34	610138216	24 T/P	7-124424536-XXX	-	WHT	68	P2-E6		R5+	270009	
136	P1-D34	610138216			-	BLK		P2-E5		R5-	270009	
137	P1-A35	610138216	24 T/P	7-124424536-XXX	-	WHT	69	P2-D5		C23-	270009	
138	P1-B35	610138216			-	BLK		P2-C5		C23+	270009	
139	P1-C35	610138216	24 T/P	7-124424536-XXX	-	WHT	70	P2-B5		C22-	270009	
140	P1-D35	610138216			-	BLK		P2-A5		C22+	270009	
141	P1-A36	610138216	24 T/P	7-124424536-XXX	-	WHT	71	P2-D4		C25-	270009	
142	P1-B36	610138216			-	BLK		P2-C4		C25+	270009	
143	P1-C36	610138216	24 T/P	7-124424536-XXX	-	WHT	72	P2-B4		C24-	270009	
144	P1-D36	610138216			-	BLK		P2-A4		C24+	270009	
145	P1-A37	610138216	24 T/P	7-124424536-XXX	-	WHT	73	P2-E4		R6+	270009	
146	P1-B37	610138216			-	BLK		P2-E3		R6-	270009	
147	P1-C37	610138216	24 T/P	7-124424536-XXX	-	WHT	74	P2-D3		C27-	270009	
148	P1-D37	610138216			-	BLK		P2-C3		C27+	270009	
149	P1-A38	610138216	24 T/P	7-124424536-XXX	-	WHT	75	P2-B3		C26-	270009	
150	P1-B38	610138216			-	BLK		P2-A3		C26+	270009	
151	P1-C38	610138216	24 T/P	7-124424536-XXX	-	WHT	76	P2-D2		C29-	270009	
152	P1-D38	610138216			-	BLK		P2-C2		C29+	270009	
153	P1-A39	610138216	24 T/P	7-124424536-XXX	-	WHT	77	P2-B2	C28-	270009		
154	P1-B39	610138216			-	BLK		P2-A2	C28+	270009		
155	P1-C39	610138216	24 T/P	7-124424536-XXX	-	WHT	78	P2-E2	R7+	270009		
156	P1-D39	610138216			-	BLK		P2-E1	R7-	270009		
157	P1-A40	610138216	24 T/P	7-124424536-XXX	-	WHT	79	P2-D1	C31-	270009		
158	P1-B40	610138216			-	BLK		P2-C1	C31+	270009		
159	P1-C40	610138216	24 T/P	7-124424536-XXX	-	WHT	80	P2-B1	C30-	270009		
160	P1-D40	610138216			-	BLK		P2-A1	C30+	270009		