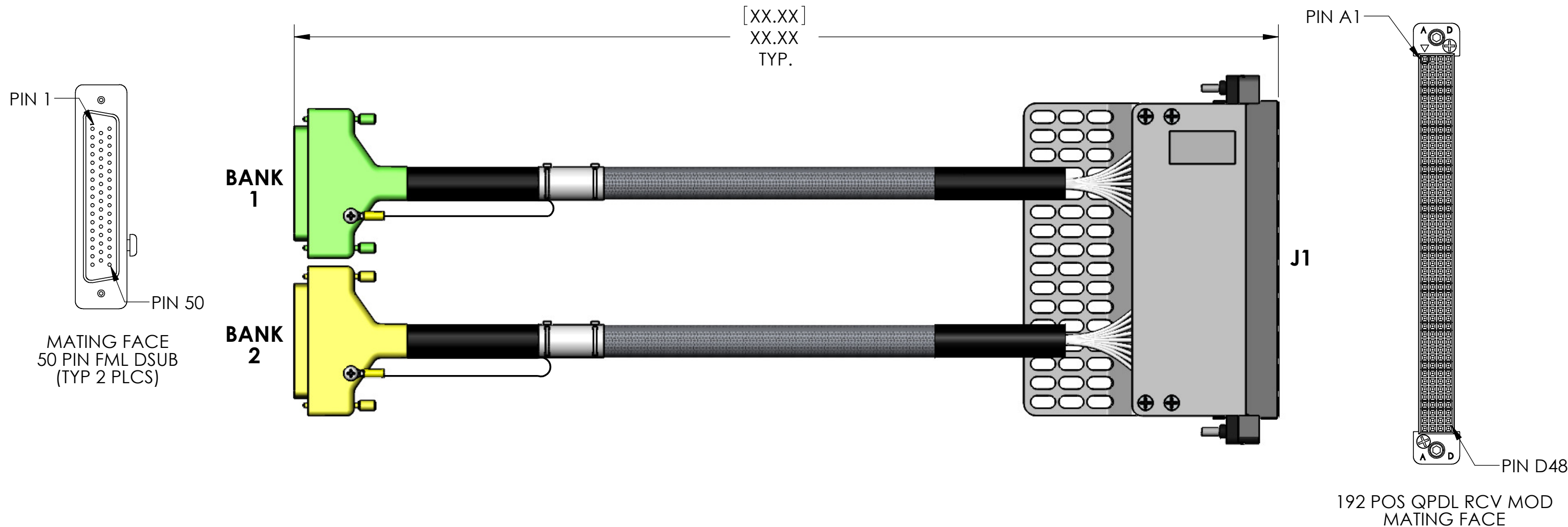


DO NOT SCALE DRAWING

THE INFORMATION CONTAINED HEREIN IS THE EXCLUSIVE PROPERTY OF VIRGINIA PANEL CORPORATION AND IS SUBMITTED FOR USE BY THE CUSTOMER ONLY. THE DATA SHALL NOT BE DUPLICATED, USED, OR DISCLOSED IN WHOLE OR IN PART FOR ANY PURPOSE OTHER THAN TO MAINTAIN THE EQUIPMENT PROVIDED. CONSULT WITH VIRGINIA PANEL CORPORATION ENGINEERING IF MORE DETAIL IS REQUIRED.

REV	DESCRIPTION	DATE	ENGINEER
L	ECN #15198	07/31/25	Z MORRIS



MATING FACE
50 PIN FML DSUB
(TYP 2 PLCS)

192 POS QPDL RCV MOD
MATING FACE

MATING COMPONENTS		QTY.
MODULE	510151105	1
PATCHCORDS	7-121922000-036	6
	7-121422000-036	46

VPC P/N 540111040X40 WHERE X =	LENGTH XX.XX"
1	20.00" [508]
2	36.00" [914]
6	48.00" [1219]
9	60.00" [1524]
5	72.00" [1829]

RELATIVE CONNECTOR POSITIONS
AND WIRE ROUTING ARE GENERIC
AND MAY VARY WITH PINOUT

DIMENSIONS ARE SHOWN AS:
[MILLIMETERS]
INCHES

CUSTOMER DRAWING



QPDL RCV CBA 20" F/
AGLNT 34921A/3A/5A

DWG.NO.	540111040X40	REV	L
SIZE	SCALE	CAGE CODE	SHEET
B	NONE	18117	1 OF 2

1. FOR APPLICATION USE AND CARE INFORMATION CONSULT VPC USERS GUIDE @ WWW.VPC.COM

NOTES:

Run #	From Location (Conn - Pin)	Wire AWG	Wire Color	T/P #	To Location (Conn - Pin)	Signal Desc	Label
1	J1-A1	22 AWG T/P	WHT	1	BANK 1-1	BANK 1- CH1-H	BANK 1
2	J1-A2	22 AWG T/P	BLK	1	BANK 1-2	BANK 1- CH1-L	
3	J1-A3	22 AWG T/P	WHT	2	BANK 1-3	BANK 1- CH2-H	
4	J1-A4	22 AWG T/P	BLK	2	BANK 1-4	BANK 1- CH2-L	
5	J1-A5	22 AWG T/P	WHT	3	BANK 1-5	BANK 1- CH3-H	
6	J1-A6	22 AWG T/P	BLK	3	BANK 1-6	BANK 1- CH3-L	
7	J1-A7	22 AWG T/P	WHT	4	BANK 1-7	BANK 1-COM 1-H	
8	J1-A8	22 AWG T/P	BLK	4	BANK 1-8	BANK 1-COM 1-L	
9	J1-A9	22 AWG T/P	WHT	5	BANK 1-9	BANK 1- CH4-H	
10	J1-A10	22 AWG T/P	BLK	5	BANK 1-10	BANK 1- CH4-L	
11	J1-A11	22 AWG T/P	WHT	6	BANK 1-11	BANK 1- CH14-H	
12	J1-A12	22 AWG T/P	BLK	6	BANK 1-12	BANK 1- CH14-L	
13	J1-B1	22 AWG T/P	WHT	7	BANK 1-13	BANK 1- CH5-H	
14	J1-B2	22 AWG T/P	BLK	7	BANK 1-14	BANK 1- CH5-L	
15	J1-B3	22 AWG T/P	WHT	8	BANK 1-15	BANK 1- CH20-H	
16	J1-B4	22 AWG T/P	BLK	8	BANK 1-16	BANK 1- CH20-L	
17	J1-B5	22 AWG T/P	WHT	9	BANK 1-19	BANK 1- CH11-H	
18	J1-B6	22 AWG T/P	BLK	9	BANK 1-20	BANK 1- CH11-L	
19	J1-B7	22 AWG T/P	WHT	10	BANK 1-21	BANK 1- CH7-H	
20	J1-B8	22 AWG T/P	BLK	10	BANK 1-22	BANK 1- CH7-L	
21	J1-B9	22 AWG T/P	WHT	11	BANK 1-23	BANK 1- CH17-H	
22	J1-B10	22 AWG T/P	BLK	11	BANK 1-24	BANK 1- CH17-L	
23	J1-B11	22 AWG T/P	WHT	12	BANK 1-25	BANK 1- CH13-H	
24	J1-B12	22 AWG T/P	BLK	12	BANK 1-26	BANK 1- CH13-L	
25	J1-C1	22 AWG T/P	WHT	13	BANK 1-27	BANK 1- CH9-H	
26	J1-C2	22 AWG T/P	BLK	13	BANK 1-28	BANK 1- CH9-L	
27	J1-C3	22 AWG T/P	WHT	14	BANK 1-29	BANK 1- CH19-H	
28	J1-C4	22 AWG T/P	BLK	14	BANK 1-30	BANK 1- CH19-L	
29	J1-C5	22 AWG T/P	WHT	15	BANK 1-31	BANK 1- CH15-H	
30	J1-C6	22 AWG T/P	BLK	15	BANK 1-32	BANK 1- CH15-L	
31	J1-C7	22 AWG T/P	WHT	16	BANK 1-35	BANK 1- CH6-H	
32	J1-C8	22 AWG T/P	BLK	16	BANK 1-36	BANK 1- CH6-L	
33	J1-C9	22 AWG T/P	WHT	17	BANK 1-37	BANK 1- CH16-H	
34	J1-C10	22 AWG T/P	BLK	17	BANK 1-38	BANK 1- CH16-L	
35	J1-C11	22 AWG T/P	WHT	18	BANK 1-39	BANK 1- CH12-H	
36	J1-C12	22 AWG T/P	BLK	18	BANK 1-40	BANK 1- CH12-L	
37	J1-D1	22 AWG T/P	WHT	19	BANK 1-41	BANK 1- CH8-H	
38	J1-D2	22 AWG T/P	BLK	19	BANK 1-42	BANK 1- CH8-L	
39	J1-D3	22 AWG T/P	WHT	20	BANK 1-43	BANK 1- CH18-H	
40	J1-D4	22 AWG T/P	BLK	20	BANK 1-44	BANK 1- CH18-L	
41	J1-D5	22 AWG T/P	WHT	21	BANK 1-45	BANK 1- CH10-H	
42	J1-D6	22 AWG T/P	BLK	21	BANK 1-46	BANK 1- CH10-L	
43	J1-D7	22 AWG T/P	WHT	22	BANK 1-47	BANK 1-AMP41-L	
44	J1-D8	22 AWG T/P	BLK	22	BANK 1-48	BANK 1-AMP41-I	
45	J1-D9	22 AWG T/P	WHT	23	BANK 1-49	BANK 1-AMP42-L	
46	J1-D10	22 AWG T/P	BLK	23	BANK 1-50	BANK 1-AMP42-I	
47	J1-D11	22 AWG	WHT	-	BANK 1-18	BANK 1-TSIL-	
48	J1-D12	22 AWG	WHT	-	BANK 1-34	BANK 1-GND-	
49	BANK 1-33	22 AWG	WHT	-	BANK 1-17	BANK 1-INTERLOCK1-H/L	
50	J1-D13	22 AWG	WHT	-	BANK 1-BKSHL	BACKSHELL GND	

Run #	From Location (Conn - Pin)	Wire AWG	Wire Color	T/P #	To Location (Conn - Pin)	Signal Desc	Label P/N
51	J1-A25	22 AWG T/P	WHT	24	BANK 2-1	BANK 2- CH21-H	BANK 2
52	J1-A26	22 AWG T/P	BLK	24	BANK 2-2	BANK 2- CH21-L	
53	J1-A27	22 AWG T/P	WHT	25	BANK 2-3	BANK 2- CH22-H	
54	J1-A28	22 AWG T/P	BLK	25	BANK 2-4	BANK 2- CH22-L	
55	J1-A29	22 AWG T/P	WHT	26	BANK 2-5	BANK 2- CH23-H	
56	J1-A30	22 AWG T/P	BLK	26	BANK 2-6	BANK 2- CH23-L	
57	J1-A31	22 AWG T/P	WHT	27	BANK 2-7	BANK 2-COM 2-H	
58	J1-A32	22 AWG T/P	BLK	27	BANK 2-8	BANK 2-COM 2-L	
59	J1-A33	22 AWG T/P	WHT	28	BANK 2-9	BANK 2- CH24-H	
60	J1-A34	22 AWG T/P	BLK	28	BANK 2-10	BANK 2- CH24-L	
61	J1-A35	22 AWG T/P	WHT	29	BANK 2-11	BANK 2- CH34-H	
62	J1-A36	22 AWG T/P	BLK	29	BANK 2-12	BANK 2- CH34-L	
63	J1-B25	22 AWG T/P	WHT	30	BANK 2-13	BANK 2- CH25-H	
64	J1-B26	22 AWG T/P	BLK	30	BANK 2-14	BANK 2- CH25-L	
65	J1-B27	22 AWG T/P	WHT	31	BANK 2-15	BANK 2- CH40-H	
66	J1-B28	22 AWG T/P	BLK	31	BANK 2-16	BANK 2- CH40-L	
67	J1-B29	22 AWG T/P	WHT	32	BANK 2-19	BANK 2- CH31-H	
68	J1-B30	22 AWG T/P	BLK	32	BANK 2-20	BANK 2- CH31-L	
69	J1-B31	22 AWG T/P	WHT	33	BANK 2-21	BANK 2- CH27-H	
70	J1-B32	22 AWG T/P	BLK	33	BANK 2-22	BANK 2- CH27-L	
71	J1-B33	22 AWG T/P	WHT	34	BANK 2-23	BANK 2- CH37-H	
72	J1-B34	22 AWG T/P	BLK	34	BANK 2-24	BANK 2- CH37-L	
73	J1-B35	22 AWG T/P	WHT	35	BANK 2-25	BANK 2- CH33-H	
74	J1-B36	22 AWG T/P	BLK	35	BANK 2-26	BANK 2- CH33-L	
75	J1-C25	22 AWG T/P	WHT	36	BANK 2-27	BANK 2- CH29-H	
76	J1-C26	22 AWG T/P	BLK	36	BANK 2-28	BANK 2- CH29-L	
77	J1-C27	22 AWG T/P	WHT	37	BANK 2-29	BANK 2- CH39-H	
78	J1-C28	22 AWG T/P	BLK	37	BANK 2-30	BANK 2- CH39-L	
79	J1-C29	22 AWG T/P	WHT	38	BANK 2-31	BANK 2- CH35-H	
80	J1-C30	22 AWG T/P	BLK	38	BANK 2-32	BANK 2- CH35-L	
81	J1-C31	22 AWG T/P	WHT	39	BANK 2-35	BANK 2- CH26-H	
82	J1-C32	22 AWG T/P	BLK	39	BANK 2-36	BANK 2- CH26-L	
83	J1-C33	22 AWG T/P	WHT	40	BANK 2-37	BANK 2- CH36-H	
84	J1-C34	22 AWG T/P	BLK	40	BANK 2-38	BANK 2- CH36-L	
85	J1-C35	22 AWG T/P	WHT	41	BANK 2-39	BANK 2- CH32-H	
86	J1-C36	22 AWG T/P	BLK	41	BANK 2-40	BANK 2- CH32-L	
87	J1-D25	22 AWG T/P	WHT	42	BANK 2-41	BANK 2- CH28-H	
88	J1-D26	22 AWG T/P	BLK	42	BANK 2-42	BANK 2- CH28-L	
89	J1-D27	22 AWG T/P	WHT	43	BANK 2-43	BANK 2- CH38-H	
90	J1-D28	22 AWG T/P	BLK	43	BANK 2-44	BANK 2- CH38-L	
91	J1-D29	22 AWG T/P	WHT	44	BANK 2-45	BANK 2- CH30-H	
92	J1-D30	22 AWG T/P	BLK	44	BANK 2-46	BANK 2- CH30-L	
93	J1-D31	22 AWG T/P	WHT	45	BANK 2-47	BANK 2-AMP43-L	
94	J1-D32	22 AWG T/P	BLK	45	BANK 2-48	BANK 2-AMP43-I	
95	J1-D33	22 AWG T/P	WHT	46	BANK 2-49	BANK 2-AMP44-L	
96	J1-D34	22 AWG T/P	BLK	46	BANK 2-50	BANK 2-AMP44-I	
97	J1-D35	22 AWG	WHT	-	BANK 2-18	BANK 2-TSIL-	
98	J1-D36	22 AWG	WHT	-	BANK 2-34	BANK 2-GND-	
99	BANK 2-33	22 AWG	WHT	-	BANK 2-17	BANK 2-INTERLOCK1-H/I	
100	J1-D37	22 AWG	WHT	-	BANK 2-BKSHL	BACKSHELL GND	

CUSTOMER DRAWING - CUSTOMER DRAWING - CUSTOMER DRAWING

THE INFORMATION CONTAINED HEREIN IS THE EXCLUSIVE PROPERTY OF VIRGINIA PANEL CORPORATION AND IS SUBMITTED FOR USE BY THE CUSTOMER ONLY. THE DATA SHALL NOT BE DUPLICATED, USED, OR DISCLOSED IN WHOLE OR IN PART FOR ANY PURPOSE OTHER THAN TO MAINTAIN THE EQUIPMENT PROVIDED.

DWG.NO.		540111040X40		REV	L
SIZE	SCALE	CAGE CODE	SHEET		
B	NONE	18117	2 OF 2		

DO NOT SCALE DRAWING