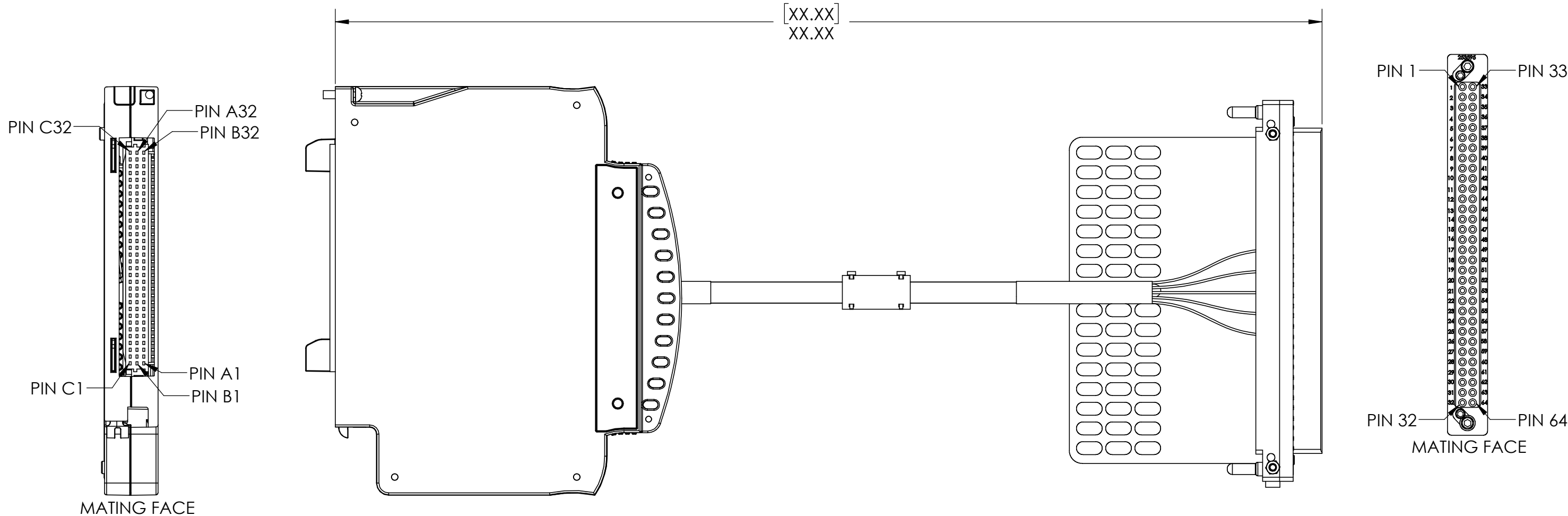


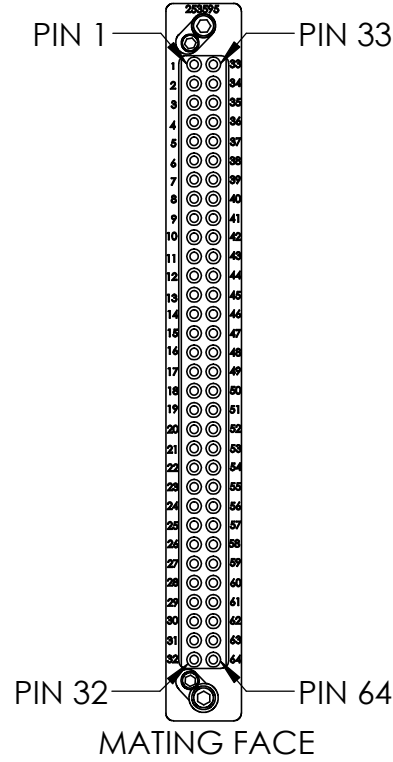
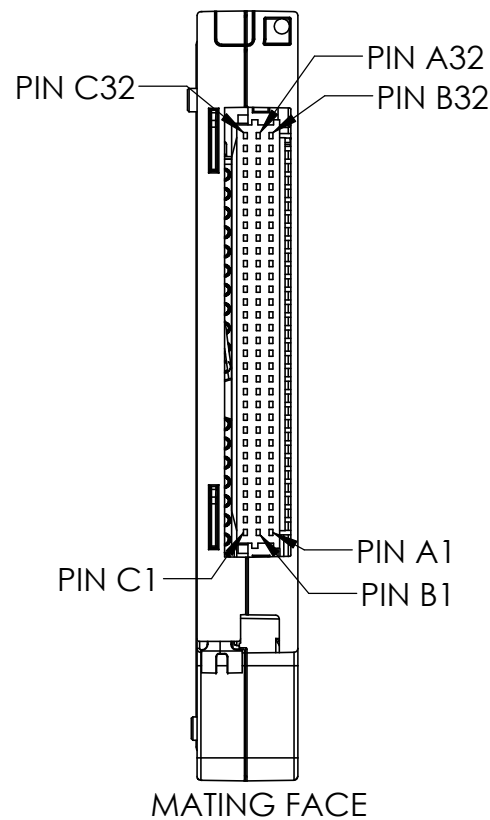
DO NOT SCALE DRAWING

THE INFORMATION CONTAINED HEREIN IS THE EXCLUSIVE PROPERTY OF VIRGINIA PANEL CORPORATION AND IS SUBMITTED FOR USE BY THE CUSTOMER ONLY. THE DATA SHALL NOT BE DUPLICATED, USED, OR DISCLOSED IN WHOLE OR IN PART FOR ANY PURPOSE OTHER THAN TO MAINTAIN THE EQUIPMENT PROVIDED. CONSULT WITH VIRGINIA PANEL CORPORATION ENGINEERING IF MORE DETAIL IS REQUIRED.

REV	DESCRIPTION	DATE	ENGINEER
B	ECN #12059	11/10/2021	S MULLINS



[XX.XX]
XX.XX



MATING ITA MODULE	510108124 (1)
MATING PATCHCORDS	7-409803000-036 (32)

1. FOR APPLICATION USE AND CARE INFORMATION CONSULT VPC USERS GUIDE @ WWW.VPC.COM

NOTES:

VPC P/N 540291010X62 WHERE X =	LENGTH XX.XX"
1	20.00" [508]
2	36.00" [914]
6	48.00" [1219]
9	60.00" [1524]
5	72.00" [1829]

RELATIVE CONNECTOR POSITIONS AND WIRE ROUTING ARE GENERIC AND MAY VARY WITH PINOUT

DIMENSIONS ARE SHOWN AS:
[MILLIMETERS]
INCHES

CUSTOMER DRAWING

**CBA PXIE-4353
INCL TB-4353**

DWG.NO. **540291010X62** REV **B**

SIZE	SCALE	CAGE CODE	SHEET
B	NONE	18117	1 OF 1

Run #	From Location (Conn - Pin)	From Contact	Wire AWG	Wire/Patchcord P/N	Length (in)	Wire Color	Wire Group	To Location (Conn-Pin)	Front Connector	To Contact	Notes
1	P1-1	610113132	24	7-410803000-038	-	RED	1	TC0+	B32	612424	ALL SHLDS TIED TOGETHER & TERMINATED TO RING TERMINAL ON TB-4353 GND SCREW.
2	P1-33	610113131	24	-	-	YEL	1	TC0-	B31	612424	
3	P1-2	610113132	24	7-410803000-038	-	RED	2	TC1+	C32	612424	ALL SHLDS TIED TOGETHER & TERMINATED TO RING TERMINAL ON TB-4353 GND SCREW.
4	P1-34	610113131	24	-	-	YEL	2	TC1-	C31	612424	
5	P1-3	610113132	24	7-410803000-038	-	RED	3	TC2+	A31	612424	ALL SHLDS TIED TOGETHER & TERMINATED TO RING TERMINAL ON TB-4353 GND SCREW.
6	P1-35	610113131	24	-	-	YEL	3	TC2-	A30	612424	
7	P1-4	610113132	24	7-410803000-038	-	RED	4	TC3+	C30	612424	ALL SHLDS TIED TOGETHER & TERMINATED TO RING TERMINAL ON TB-4353 GND SCREW.
8	P1-36	610113131	24	-	-	YEL	4	TC3-	B30	612424	
9	P1-5	610113132	24	7-410803000-038	-	RED	5	TC4+	B29	612424	ALL SHLDS TIED TOGETHER & TERMINATED TO RING TERMINAL ON TB-4353 GND SCREW.
10	P1-37	610113131	24	-	-	YEL	5	TC4-	B28	612424	
11	P1-6	610113132	24	7-410803000-038	-	RED	6	TC5+	C29	612424	ALL SHLDS TIED TOGETHER & TERMINATED TO RING TERMINAL ON TB-4353 GND SCREW.
12	P1-38	610113131	24	-	-	YEL	6	TC5-	C28	612424	
13	P1-7	610113132	24	7-410803000-038	-	RED	7	TC6+	C27	612424	ALL SHLDS TIED TOGETHER & TERMINATED TO RING TERMINAL ON TB-4353 GND SCREW.
14	P1-39	610113131	24	-	-	YEL	7	TC6-	B27	612424	
15	P1-8	610113132	24	7-410803000-038	-	RED	8	TC7+	B26	612424	ALL SHLDS TIED TOGETHER & TERMINATED TO RING TERMINAL ON TB-4353 GND SCREW.
16	P1-40	610113131	24	-	-	YEL	8	TC7-	B25	612424	
17	P1-9	610113132	24	7-410803000-038	-	RED	9	TC8+	C26	612424	ALL SHLDS TIED TOGETHER & TERMINATED TO RING TERMINAL ON TB-4353 GND SCREW.
18	P1-41	610113131	24	-	-	YEL	9	TC8-	C25	612424	
19	P1-10	610113132	24	7-410803000-038	-	RED	10	TC9+	C24	612424	ALL SHLDS TIED TOGETHER & TERMINATED TO RING TERMINAL ON TB-4353 GND SCREW.
20	P1-42	610113131	24	-	-	YEL	10	TC9-	B24	612424	
21	P1-11	610113132	24	7-410803000-038	-	RED	11	TC10+	B23	612424	ALL SHLDS TIED TOGETHER & TERMINATED TO RING TERMINAL ON TB-4353 GND SCREW.
22	P1-43	610113131	24	-	-	YEL	11	TC10-	B22	612424	
23	P1-12	610113132	24	7-410803000-038	-	RED	12	TC11+	C23	612424	ALL SHLDS TIED TOGETHER & TERMINATED TO RING TERMINAL ON TB-4353 GND SCREW.
24	P1-44	610113131	24	-	-	YEL	12	TC11-	C22	612424	
25	P1-13	610113132	24	7-410803000-038	-	RED	13	TC12+	C21	612424	ALL SHLDS TIED TOGETHER & TERMINATED TO RING TERMINAL ON TB-4353 GND SCREW.
26	P1-45	610113131	24	-	-	YEL	13	TC12-	B21	612424	
27	P1-14	610113132	24	7-410803000-038	-	RED	14	TC13+	B20	612424	ALL SHLDS TIED TOGETHER & TERMINATED TO RING TERMINAL ON TB-4353 GND SCREW.
28	P1-46	610113131	24	-	-	YEL	14	TC13-	B19	612424	
29	P1-15	610113132	24	7-410803000-038	-	RED	15	TC14+	C20	612424	ALL SHLDS TIED TOGETHER & TERMINATED TO RING TERMINAL ON TB-4353 GND SCREW.
30	P1-47	610113131	24	-	-	YEL	15	TC14-	C19	612424	
31	P1-16	610113132	24	7-410803000-038	-	RED	16	TC15+	C18	612424	ALL SHLDS TIED TOGETHER & TERMINATED TO RING TERMINAL ON TB-4353 GND SCREW.
32	P1-48	610113131	24	-	-	YEL	16	TC15-	B18	612424	

Run #	From Location (Conn - Pin)	From Contact	Wire AWG	Wire/Patchcord P/N	Length (in)	Wire Color	Wire Group	To Location (Conn-Pin)	Front Connector	To Contact	Notes
33	P1-17	610113132	24	7-410803000-038	-	RED	17	TC16+	B17	612424	ALL SHLDS TIED TOGETHER & TERMINATED TO RING TERMINAL ON TB-4353 GND SCREW.
34	P1-49	610113131	24	-	-	YEL	17	TC16-	B16	612424	
35	P1-18	610113132	24	7-410803000-038	-	RED	18	TC17+	C17	612424	ALL SHLDS TIED TOGETHER & TERMINATED TO RING TERMINAL ON TB-4353 GND SCREW.
36	P1-50	610113131	24	-	-	YEL	18	TC17-	C16	612424	
37	P1-19	610113132	24	7-410803000-038	-	RED	19	TC18+	C15	612424	ALL SHLDS TIED TOGETHER & TERMINATED TO RING TERMINAL ON TB-4353 GND SCREW.
38	P1-51	610113131	24	-	-	YEL	19	TC18-	B15	612424	
39	P1-20	610113132	24	7-410803000-038	-	RED	20	TC19+	B14	612424	ALL SHLDS TIED TOGETHER & TERMINATED TO RING TERMINAL ON TB-4353 GND SCREW.
40	P1-52	610113131	24	-	-	YEL	20	TC19-	B13	612424	
41	P1-21	610113132	24	7-410803000-038	-	RED	21	TC20+	C14	612424	ALL SHLDS TIED TOGETHER & TERMINATED TO RING TERMINAL ON TB-4353 GND SCREW.
42	P1-53	610113131	24	-	-	YEL	21	TC20-	C13	612424	
43	P1-22	610113132	24	7-410803000-038	-	RED	22	TC21+	C12	612424	ALL SHLDS TIED TOGETHER & TERMINATED TO RING TERMINAL ON TB-4353 GND SCREW.
44	P1-54	610113131	24	-	-	YEL	22	TC21-	B12	612424	
45	P1-23	610113132	24	7-410803000-038	-	RED	23	TC22+	B11	612424	ALL SHLDS TIED TOGETHER & TERMINATED TO RING TERMINAL ON TB-4353 GND SCREW.
46	P1-55	610113131	24	-	-	YEL	23	TC22-	B10	612424	
47	P1-24	610113132	24	7-410803000-038	-	RED	24	TC23+	C11	612424	ALL SHLDS TIED TOGETHER & TERMINATED TO RING TERMINAL ON TB-4353 GND SCREW.
48	P1-56	610113131	24	-	-	YEL	24	TC23-	C10	612424	
49	P1-25	610113132	24	7-410803000-038	-	RED	25	TC24+	C9	612424	ALL SHLDS TIED TOGETHER & TERMINATED TO RING TERMINAL ON TB-4353 GND SCREW.
50	P1-57	610113131	24	-	-	YEL	25	TC24-	B9	612424	
51	P1-26	610113132	24	7-410803000-038	-	RED	26	TC25+	B8	612424	ALL SHLDS TIED TOGETHER & TERMINATED TO RING TERMINAL ON TB-4353 GND SCREW.
52	P1-58	610113131	24	-	-	YEL	26	TC25-	B7	612424	
53	P1-27	610113132	24	7-410803000-038	-	RED	27	TC26+	C8	612424	ALL SHLDS TIED TOGETHER & TERMINATED TO RING TERMINAL ON TB-4353 GND SCREW.
54	P1-59	610113131	24	-	-	YEL	27	TC26-	C7	612424	
55	P1-28	610113132	24	7-410803000-038	-	RED	28	TC27+	C6	612424	ALL SHLDS TIED TOGETHER & TERMINATED TO RING TERMINAL ON TB-4353 GND SCREW.
56	P1-60	610113131	24	-	-	YEL	28	TC27-	B6	612424	
57	P1-29	610113132	24	7-410803000-038	-	RED	29	TC28+	B5	612424	ALL SHLDS TIED TOGETHER & TERMINATED TO RING TERMINAL ON TB-4353 GND SCREW.
58	P1-61	610113131	24	-	-	YEL	29	TC28-	B4	612424	
59	P1-30	610113132	24	7-410803000-038	-	RED	30	TC29+	C5	612424	ALL SHLDS TIED TOGETHER & TERMINATED TO RING TERMINAL ON TB-4353 GND SCREW.
60	P1-62	610113131	24	-	-	YEL	30	TC29-	C4	612424	
61	P1-31	610113132	24	7-410803000-038	-	RED	31	TC30+	A4	612424	ALL SHLDS TIED TOGETHER & TERMINATED TO RING TERMINAL ON TB-4353 GND SCREW.
62	P1-63	610113131	24	-	-	YEL	31	TC30-	A3	612424	
63	P1-32	610113132	24	7-410803000-038	-	RED	32	TC31+	C3	612424	ALL SHLDS TIED TOGETHER & TERMINATED TO RING TERMINAL ON TB-4353 GND SCREW.
64	P1-64	610113131	24	-	-	YEL	32	TC31-	B3	612424	