

4

3

2

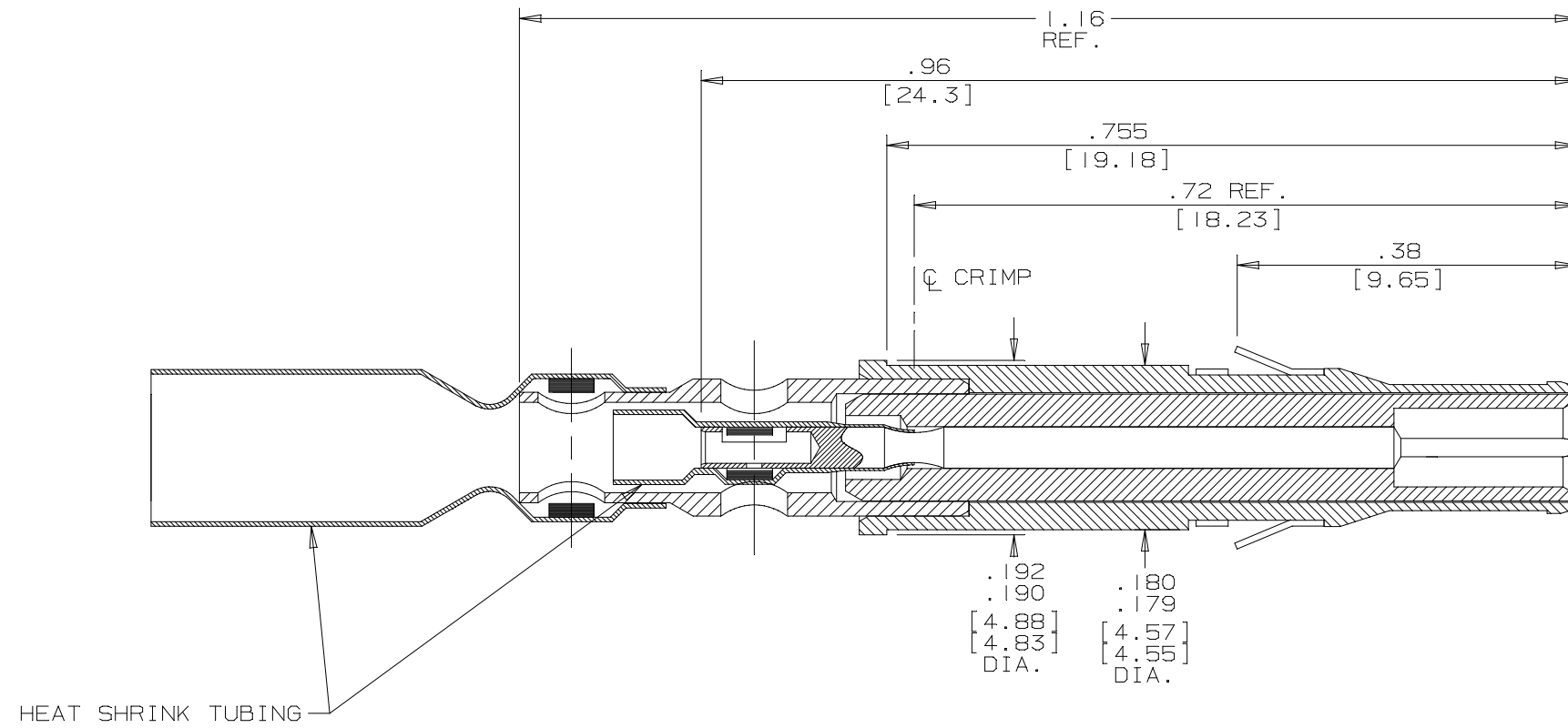
1

DO NOT SCALE DRAWING

THE INFORMATION CONTAINED HEREIN IS THE EXCLUSIVE PROPERTY OF VIRGINIA PANEL CORP. AND IS SUBMITTED FOR USE BY THE CUSTOMER ONLY. THE DATA SHALL NOT BE DUPLICATED, USED, OR DISCLOSED IN WHOLE OR IN PART FOR ANY PURPOSE OTHER THAN TO MAINTAIN THE EQUIPMENT PROVIDED.

REVISIONS

ZONE	REV	DESCRIPTION	DATE	APPROVED
	A	ADD P/N 610103158	12/3/92	FDM



610103140 .000030" Au
610103158 .000050" Au

CUSTOMER DRAWING - CUSTOMER DRAWING

DIMENSIONS ARE SHOWN AS: INCHES MILIMETERS	SIGNATURES		DATE	VIRGINIA PANEL CORP. WWW.VPC.COM		
	DR	F MORAN	6/13/91	MALE MINI-COAX ASSEMBLY		
MATERIAL		CHK	H BURGERS			
FINISH		ENG		SIZE	FSCM NO.	DWG. NO.
		PROD		C	18117	4148 24 000
		ASSY	H BURGERS	7/17/91	REV	A
		Q A		SCALE: B:1	41482400	12/3/92
		APPD		SHEET 1 OF 1		

NOTES:
1 FOR APPLICATION, CARE AND USE INFORMATION
PLEASE CONSULT VPC USERS GUIDE @ WWW.VPC.COM

4

3

2

1