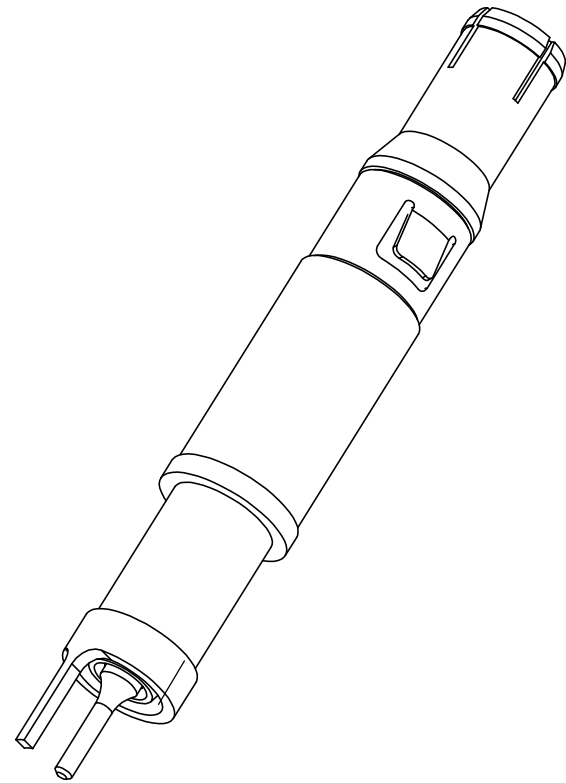
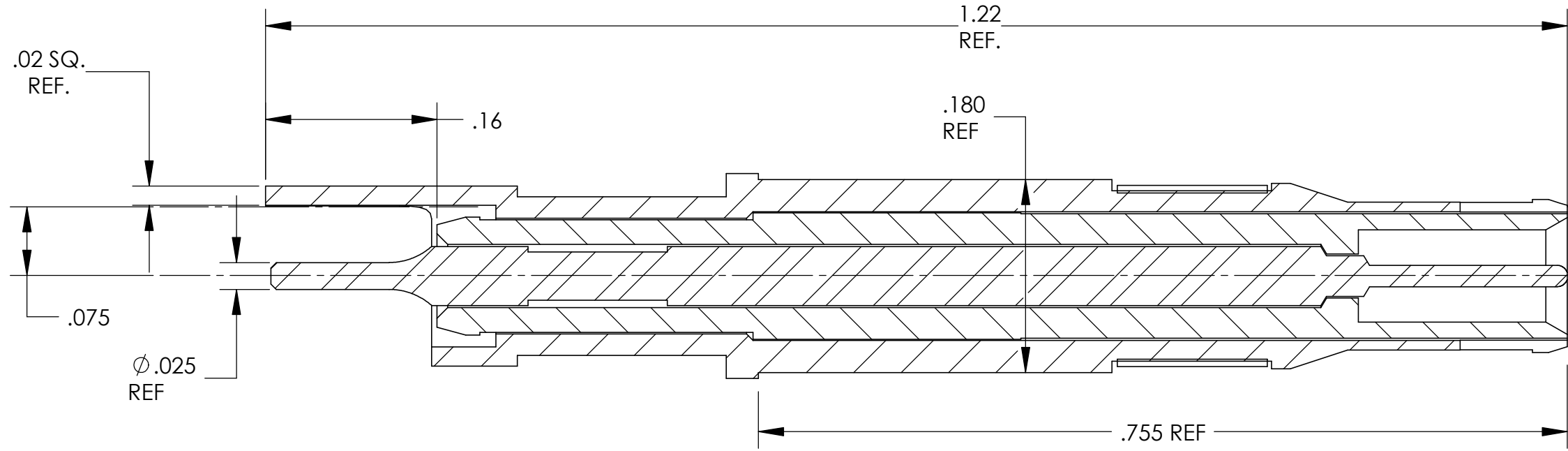


4  
DO NOT SCALE DRAWING

3  
THE INFORMATION CONTAINED HEREIN IS THE EXCLUSIVE PROPERTY OF VIRGINIA  
PANEL CORPORATION AND IS PROVIDED FOR USE BY THE CUSTOMER ONLY.

| 1<br>REVISIONS |             |         |          |
|----------------|-------------|---------|----------|
| REV            | DESCRIPTION | DATE    | APPROVED |
| D              | EC# 3940    | 2/26/12 | G LACONI |



610103150

CUSTOMER DRAWING - CUSTOMER DRAWING

|  |            |           |             |                         |        |  |
|--|------------|-----------|-------------|-------------------------|--------|--|
| DIMENSIONS ARE SHOWN AS<br>[MILLIMETERS]<br>INCHES | SIGNATURES |           | DATE        | VIRGINIA PANEL CORP.    |        |  |
|  | DR         | F MORAN   | 6/17/94     |                         |        |  |
| MATERIAL   | CHK        |           |             | MALE MINI COAX ASSEMBLY |        |  |
|  |            |           |             |                         |        |  |
| FINISH   | SIZE       | FSCM NO.  | DWG.NO.     | REV                     |        |  |
|  | B          | 18117     | 4148 43 000 | D                       |        |  |
| SCALE: 4:1   |            | 414843000 | 6/17/94     | SHEET                   | 1 OF 1 |  |

NOTES:  
1. FOR APPLICATION USE AND CARE INFORMATION CONSULT VPC USERS  
MANUAL @ WWW.VPC.COM

D  
C  
B  
A

D  
C  
B  
A

4

3

2

1