

4

3

2

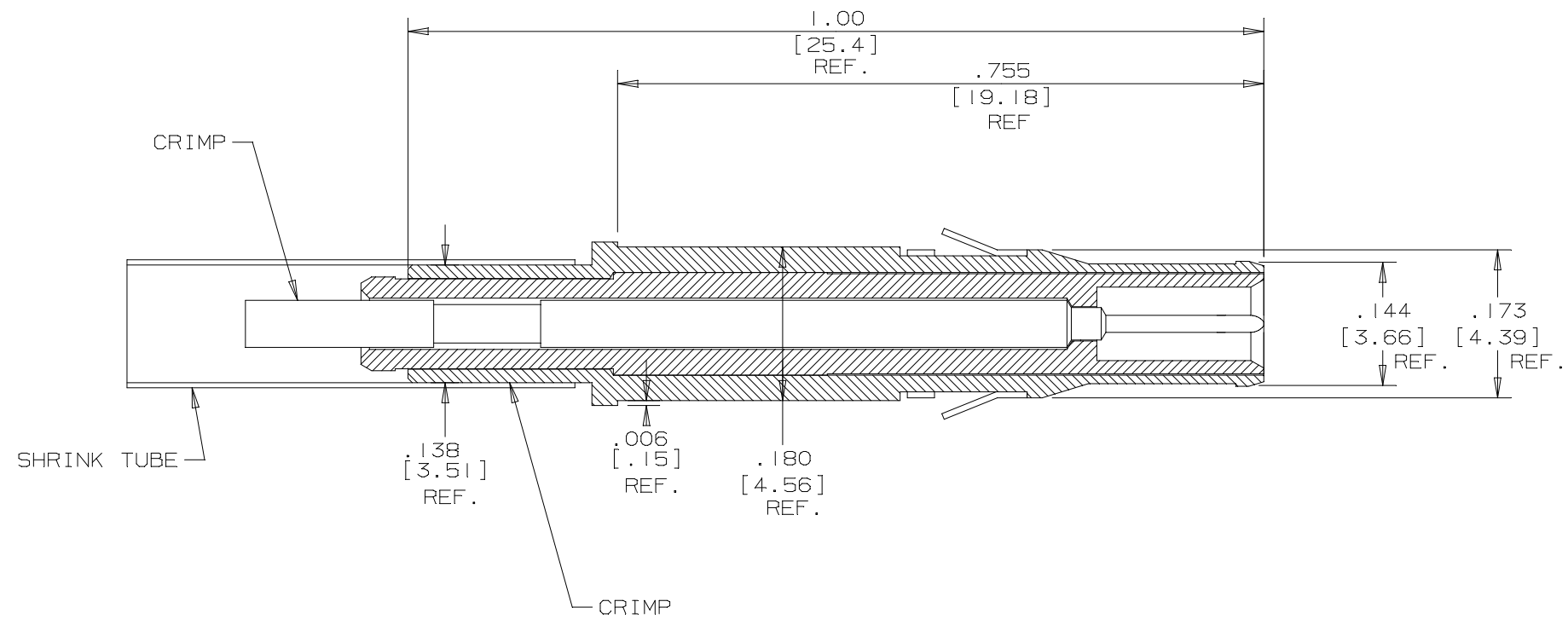
1

DO NOT SCALE DRAWING

THE INFORMATION CONTAINED HEREIN IS THE EXCLUSIVE PROPERTY OF VIRGINIA PANEL CORP. AND IS SUBMITTED FOR USE BY THE CUSTOMER ONLY. THE DATA SHALL NOT BE DUPLICATED, USED, OR DISCLOSED IN WHOLE OR IN PART FOR ANY PURPOSE OTHER THAN TO MAINTAIN THE EQUIPMENT PROVIDED.

REVISIONS

| ZONE | REV | DESCRIPTION       | DATE    | APPROVED |
|------|-----|-------------------|---------|----------|
|      | B   | ADD P/N 610103166 | 11/1/94 | HTB      |



610103166-50 MN AU  
 610103136-30 MN AU

NOTES:  
 1 FOR APPLICATION, CARE AND USE INFORMATION  
 PLEASE CONSULT VPC USERS GUIDE @ www.VPC.COM

| CUSTOMER DRAWING         |  | CUSTOMER DRAWING                    |                               |
|--------------------------|--|-------------------------------------|-------------------------------|
| DIMENSIONS ARE SHOWN AS: |  | SIGNATURES                          |                               |
| INCHES                   |  | DR R GARMAN                         | DATE 12/10/92                 |
| MILIMETERS               |  | CHK H. CASH                         | 2/10/93                       |
| MATERIAL                 |  | ENG                                 |                               |
| N.A.                     |  | PROD                                |                               |
| FINISH                   |  | ASSY H. BURGERS                     | 2/10/93                       |
| N.A.                     |  | Q A                                 |                               |
|                          |  | APPD                                |                               |
|                          |  | SCALE: 8:1                          | 41482900 10/1/93 SHEET 1 OF 1 |
|                          |  | VIRGINIA PANEL CORP.<br>www.VPC.COM |                               |
|                          |  | MALE MINI COAX ASSEMBLY<br>24 AWG   |                               |
|                          |  | SIZE FSCM NO.                       | DWG. NO.                      |
|                          |  | C 18117                             | 4148 29 000                   |
|                          |  | REV                                 | B                             |

4

3

2

1