

4

3

2

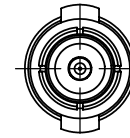
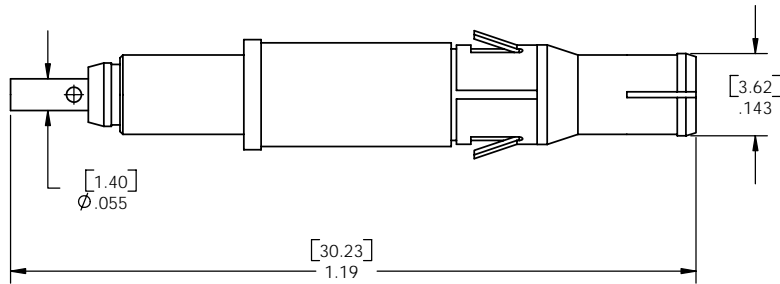
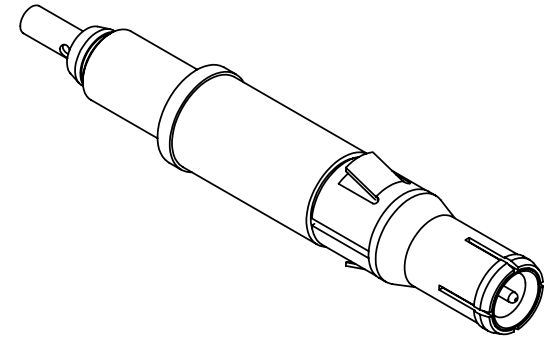
1

DO NOT SCALE DRAWING

THE INFORMATION CONTAINED HEREIN IS THE EXCLUSIVE PROPERTY OF VIRGINIA PANEL CORP. AND IS SUBMITTED FOR USE BY THE CUSTOMER ONLY. THE DATA SHALL NOT BE DUPLICATED, USED, OR DISCLOSED IN WHOLE OR IN PART FOR ANY PURPOSE OTHER THAN TO MAINTAIN THE EQUIPMENT PROVIDED. CONSULT WITH VIRGINIA PANEL CORPORATION ENGINEERING IF MORE DETAIL IS REQUIRED.

REVISIONS

ZONE	REV	DESCRIPTION	DATE	APPROVED
	B	EC #05-610-0011	9/12/05	TF



2 SHRINK TUBING IS INCLUDED WITH THE CONTACT

1 FOR APPLICATION, USE & CARE INFORMATION CONSULT VPC USERS GUIDE @WWW.VPC.COM

NOTES:

CUSTOMER DRAWING - CUSTOMER DRAWING

SOLIDWORKS DRAWING FILE	DIMENSIONS ARE SHOWN AS:		SIGNATURES		DATE	VIRGINIA PANEL CORPORATION WWW.VPC.COM		
	[millimeters] INCHES		DR	R GARMAN	4/30/01			
	REMOVE BURRS. BREAK SHARP EDGES		CHK			CONTACT, ITA, MINI COAX, 30 MAU FOR 22 AWG WIRE		
	MATERIAL		ENG					
FINISH		PROD			SIZE	FSCM NO.	DWG. NO.	REV
		APPD			C	18117	610103172	B
					SCALE: NONE	4/30/01	610103172	SHEET 1 OF 1

4

3

2

1

D

C

B

A

D

C

B

A