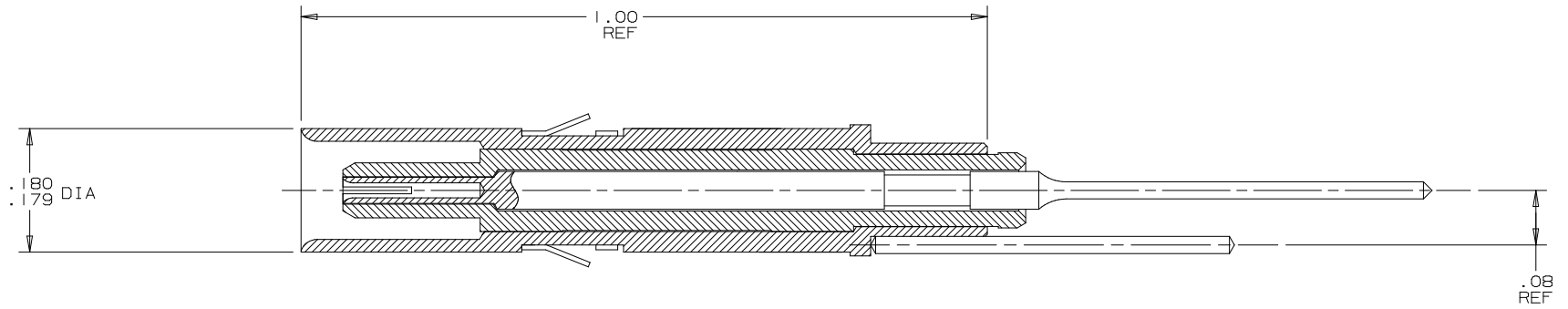


DO NOT SCALE DRAWING

THE INFORMATION CONTAINED HEREIN IS THE EXCLUSIVE PROPERTY OF VIRGINIA PANEL CORP. AND IS SUBMITTED FOR USE BY THE CUSTOMER ONLY. THE DATA SHALL NOT BE DUPLICATED, USED, OR DISCLOSED IN WHOLE OR IN PART FOR ANY PURPOSE OTHER THAN TO MAINTAIN THE EQUIPMENT PROVIDED.

REVISIONS

ZONE	REV	DESCRIPTION	DATE	APPROVED
	A	INCORPORATED ECN #1130	10/1/93	FDM



610104140

		DIMENSIONS ARE IN INCHES UNLESS OTHERWISE SPECIFIED.		CONTRACT NO.		SIGNATURES		DATE		VIRGINIA PANEL CORP.	
		TOLERANCES ARE:		DR		F MORAN		12/13/90			
		DEC. XX ± N. A.    FRAC ± N. A.		CHK		H CASH		1/22/91			
		.XXX ± N. A.    ANG ± N. A.		ENG							
		REMOVE BURRS.    BREAK SHARP EDGES		APPD		H BURGERS		4/4/91		FEMALE MINI COAX ASSEMBLY W/2 WIRE WRAP POSTS	
		MATERIAL		APPD						SIZE FSCM NO.    DWG. NO.	
		N. A.								C 18117    4148 17 000    REV A	
NEXT ASSY		USED ON		FINISH						SCALE: 8:1    41481700    10/1/93    SHEET 1 OF 1	
APPLICATION				N. A.							