

4

3

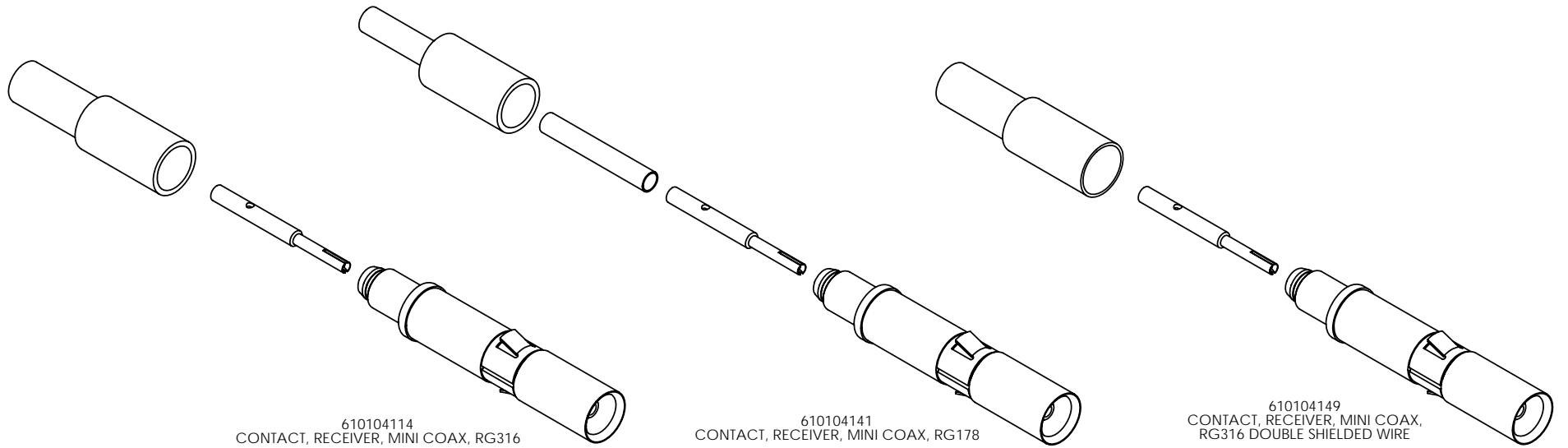
2

1

DO NOT SCALE DRAWING

THE INFORMATION CONTAINED HEREIN IS THE EXCLUSIVE PROPERTY OF VIRGINIA PANEL CORPORATION AND IS SUBMITTED FOR USE BY THE CUSTOMER ONLY. THE DATA SHALL NOT BE DUPLICATED, USED, OR DISCLOSED IN WHOLE OR IN PART FOR ANY PURPOSE OTHER THAN TO MAINTAIN THE EQUIPMENT PROVIDED. CONSULT WITH VIRGINIA PANEL CORPORATION ENGINEERING IF MORE DETAIL IS REQUIRED.

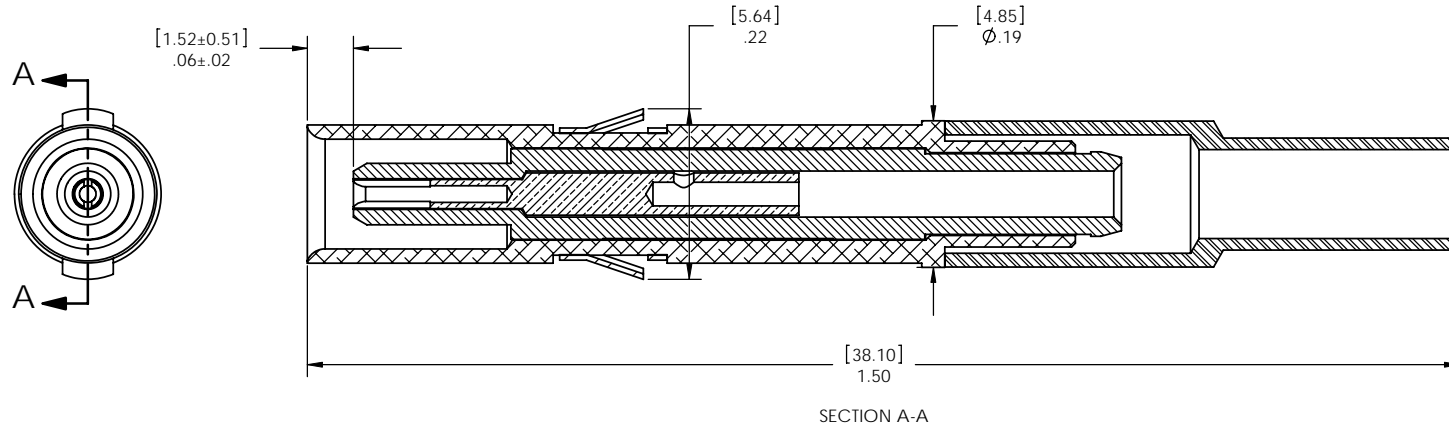
REVISIONS			
REV	DESCRIPTION	DATE	ENGR
D	ECN #10-610-0007	8/18/10	RD



610104114 CONTACT, RECEIVER, MINI COAX, RG316

610104141 CONTACT, RECEIVER, MINI COAX, RG178

610104149 CONTACT, RECEIVER, MINI COAX, RG316 DOUBLE SHIELDED WIRE



610104114 - RG316
 610104141 - RG178
 610104149 - RG316DS

CUSTOMER DRAWING	
VIRGINIA PANEL CORPORATION WWW.VPC.COM	
FEMALE MINI COAX ASSEMBLY	

1. FOR APPLICATION USE & CARE INFORMATION CONSULT VPC USERS GUIDE @WWW.VPC.COM
 NOTES:

DIMENSIONS ARE SHOWN AS:	SIZE	CAGE CODE	DWG. NO.	REV	
	[MILLIMETERS]	C	18117	4148 01 000	D
	[INCHES]	SCALE: NONE	414801000	3/25/87	SHEET 1 OF 1

4

3

2

1