

4

3

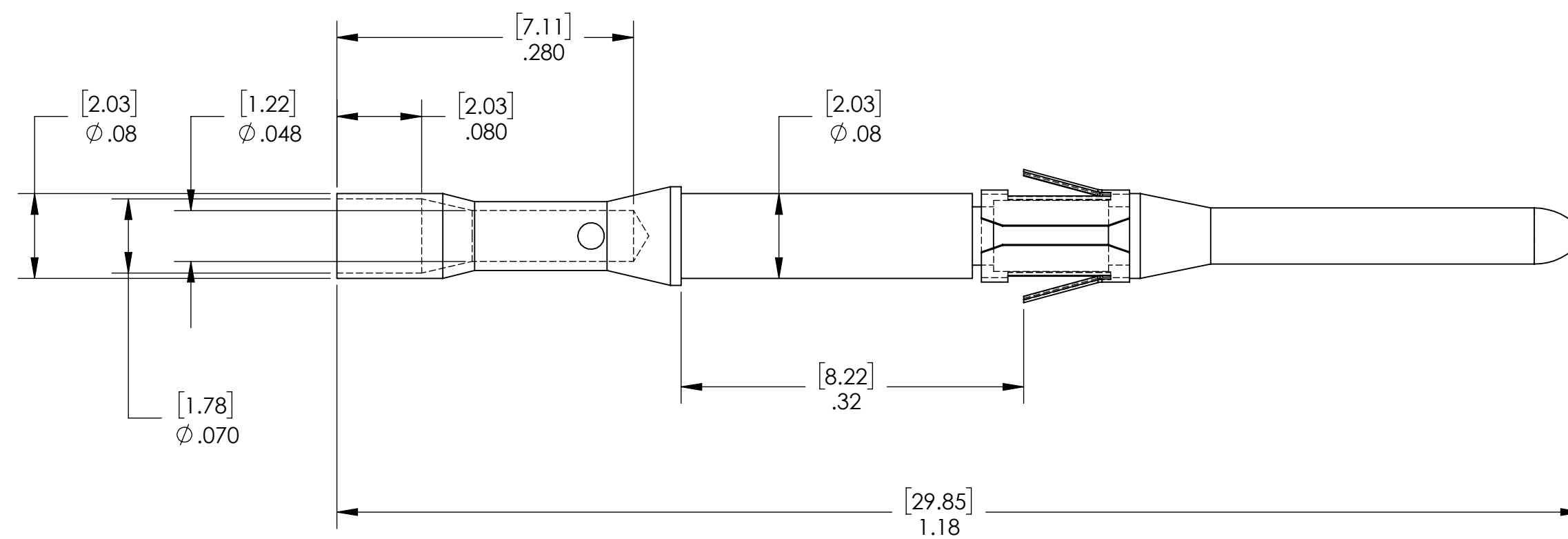
2

1

DO NOT SCALE DRAWING

THE INFORMATION CONTAINED HEREIN IS THE EXCLUSIVE PROPERTY OF VIRGINIA PANEL CORPORATION AND IS SUBMITTED FOR USE BY THE CUSTOMER ONLY. THE DATA SHALL NOT BE DUPLICATED, USED, OR DISCLOSED IN WHOLE OR IN PART FOR ANY PURPOSE OTHER THAN TO MAINTAIN THE EQUIPMENT PROVIDED. CONSULT WITH VIRGINIA PANEL CORPORATION ENGINEERING IF MORE DETAIL IS REQUIRED.

REVISIONS			
REV	DESCRIPTION	DATE	ENGR
E	ECN #12699	7/6/22	M ECKERT



2. MAT'L: PIN - 360 BRASS
 FINISH - 30μ" GOLD OVER 100μ" NICKEL
 RETAINER - BeCu 3325
 FINISH - .0001 THK Ni PER QQ-N-290

1. FOR APPLICATION USE & CARE INFORMATION CONSULT VPC USERS GUIDE @WWW.VPC.COM
 NOTES:

RELATIVE CONNECTOR POSITIONS
 AND WIRE ROUTING ARE GENERIC
 AND MAY VARY WITH PINDOUT
 DIMENSIONS ARE SHOWN AS:
 [MILLIMETERS]
 INCHES

CUSTOMER DRAWING			
VIRGINIA PANEL CORPORATION WWW.VPC.COM			
MALE TRIPADDLE ASSEMBLY, 20-24 AWG			
SIZE	CAGE CODE	DWG. NO.	REV
C	18117	610110108	E
SCALE: 8:1	610110108	7/6/22	SHEET 1 OF 1

4

3

2

1