

4

3

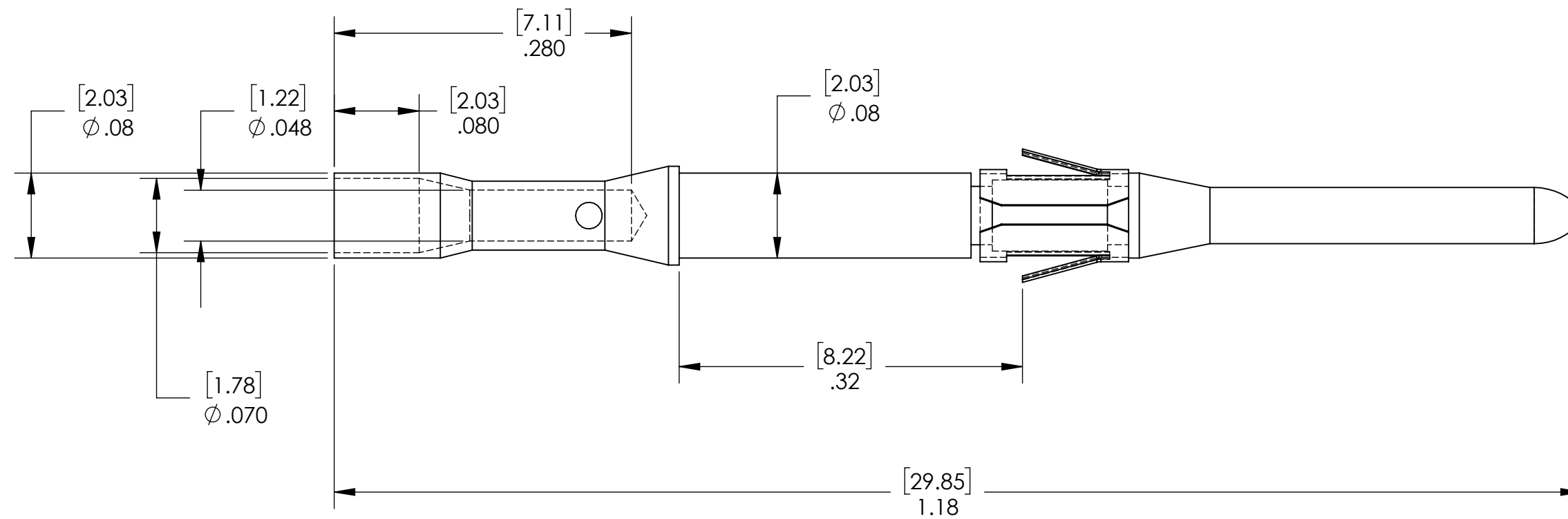
2

1

DO NOT SCALE DRAWING

THE INFORMATION CONTAINED HEREIN IS THE EXCLUSIVE PROPERTY OF VIRGINIA PANEL CORPORATION AND IS SUBMITTED FOR USE BY THE CUSTOMER ONLY. THE DATA SHALL NOT BE DUPLICATED, USED, OR DISCLOSED IN WHOLE OR IN PART FOR ANY PURPOSE OTHER THAN TO MAINTAIN THE EQUIPMENT PROVIDED. CONSULT WITH VIRGINIA PANEL CORPORATION ENGINEERING IF MORE DETAIL IS REQUIRED.

| REVISIONS |             |        |          |
|-----------|-------------|--------|----------|
| REV       | DESCRIPTION | DATE   | ENGR     |
| E         | ECN #12699  | 7/6/22 | M ECKERT |



2. MAT'L: PIN - 360 BRASS  
 FINISH - 50µ" GOLD OVER 100µ" NICKEL  
 RETAINER - BeCu 3325  
 FINISH - .0001 THK Ni PER QQ-N-290

1. FOR APPLICATION USE & CARE INFORMATION CONSULT VPC USERS GUIDE @WWW.VPC.COM  
 NOTES:

RELATIVE CONNECTOR POSITIONS  
 AND WIRE ROUTING ARE GENERIC  
 AND MAY VARY WITH PINDOUT  
 DIMENSIONS ARE SHOWN AS:  
 [MILLIMETERS]  
 INCHES

|  |                    |                       |              |
|--|--------------------|-----------------------|--------------|
| <b>CUSTOMER DRAWING</b>                          |                    |                       |              |
| <b>VIRGINIA PANEL CORPORATION</b><br>WWW.VPC.COM |                    |                       |              |
| <b>MALE TRIPADDLE ASSEMBLY, 20-24 AWG</b>        |                    |                       |              |
| SIZE<br>C  | CAGE CODE<br>18117 | DWG. NO.<br>610110146 | REV<br>E     |
| SCALE: 8:1                                       | 610110146          | 7/6/22                | SHEET 1 OF 1 |

4

3

2

1