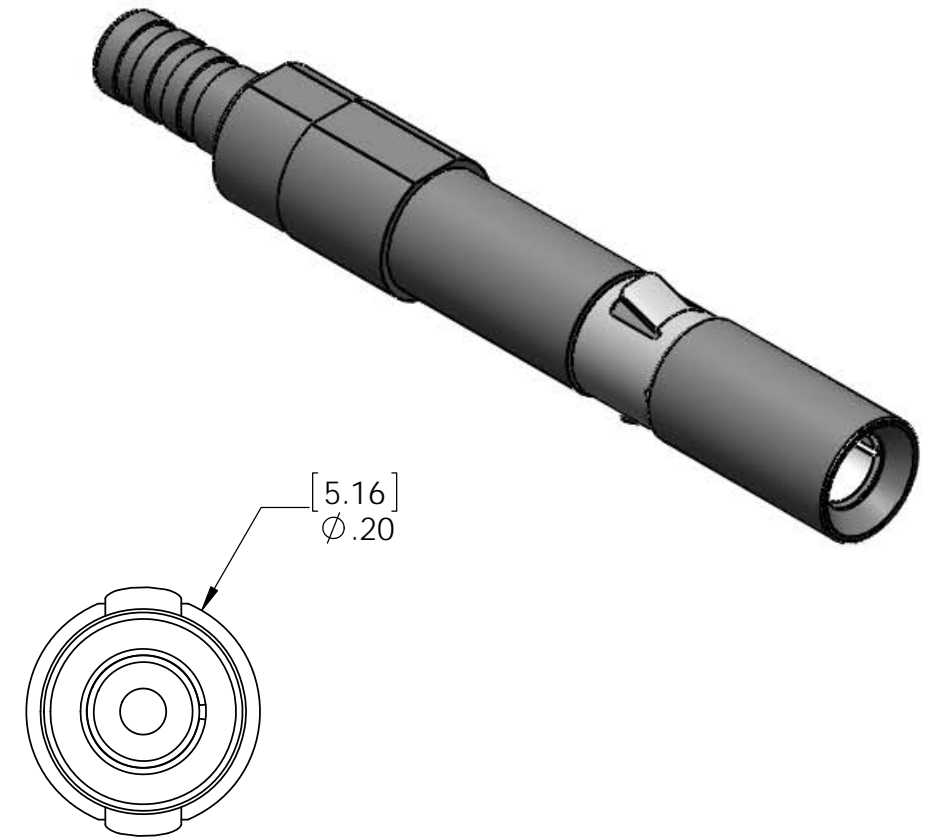
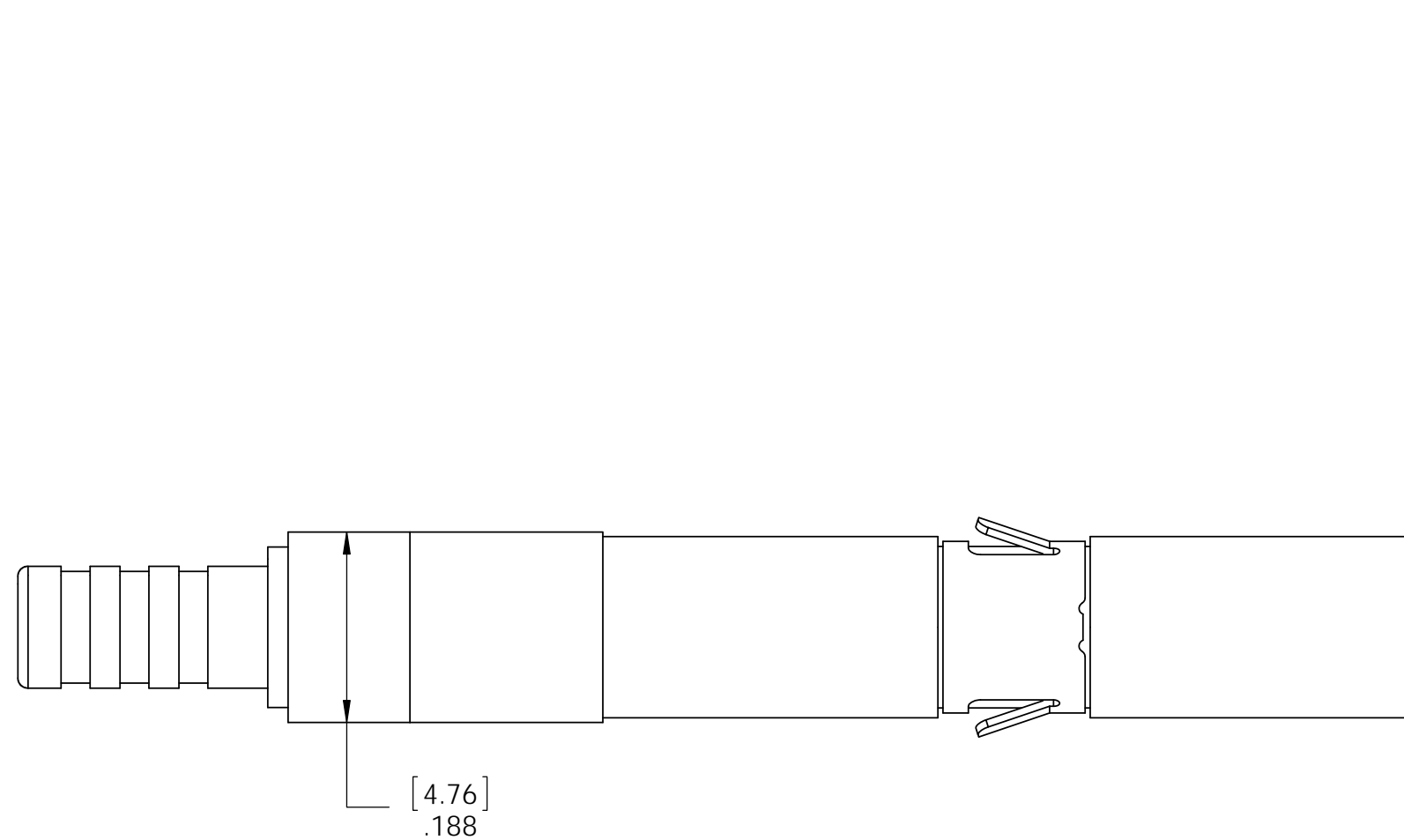


DO NOT SCALE DRAWING

THE INFORMATION CONTAINED HEREIN IS THE EXCLUSIVE PROPERTY OF VIRGINIA PANEL CORPORATION AND IS SUBMITTED FOR USE BY THE CUSTOMER ONLY. THE DATA SHALL NOT BE DUPLICATED, USED, OR DISCLOSED IN WHOLE OR IN PART FOR ANY PURPOSE OTHER THAN TO MAINTAIN THE EQUIPMENT PROVIDED. CONSULT WITH VIRGINIA PANEL CORPORATION ENGINEERING IF MORE DETAIL IS REQUIRED.

REVISIONS			
REV	DESCRIPTION	DATE	ENGR
A	DRAWING ORIGATION - ECN #4452	2/12/2013	C CHURCH



- NOTES:
- 2. CONTACT MATERIAL: NICKEL-SILVER
 - 1. FOR APPLICATION USE AND CARE INFORMATION CONSULT VPC USERS GUIDE @ WWW.VPC.COM

RELATIVE CONNECTOR POSITIONS AND WIRE ROUTING ARE GENERIC AND MAY VARY WITH PINOUT		DIMENSIONS ARE SHOWN AS:		SIZE	CAGE CODE	DWG.NO.	REV
		[MILLIMETERS] INCHES		B	18117	610113170	A
SCALE: 6:1		610113170	2/12/2013	SHEET 1 OF 1			

CUSTOMER DRAWING

VIRGINIA PANEL CORPORATION
WWW.VPC.COM

**CNT RCV MINI-FIBER
POF**