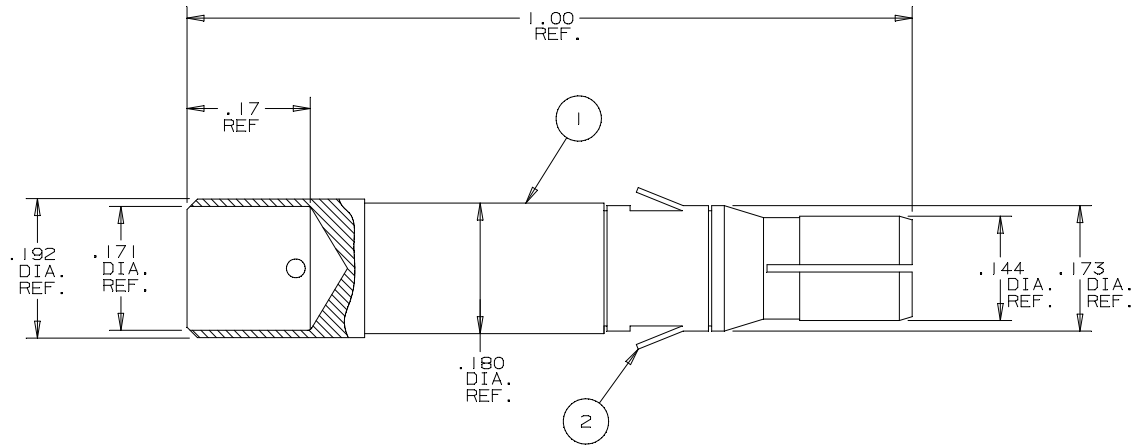


DO NOT SCALE DRAWING

THE INFORMATION CONTAINED HEREIN IS THE EXCLUSIVE PROPERTY OF VIRGINIA PANEL CORP. AND IS SUBMITTED FOR USE BY THE CUSTOMER ONLY. THE DATA SHALL NOT BE DUPLICATED, USED, OR DISCLOSED IN WHOLE OR IN PART FOR ANY PURPOSE OTHER THAN TO MAINTAIN THE EQUIPMENT PROVIDED.

REVISIONS

ZONE	REV	DESCRIPTION	DATE	APPROVED
	B	INCORPORATED ECN #1588	10/3/95	FDM



610115124 .000050 AU

CUSTOMER DRAWING

FIND NO.	QTY REQD	CODE IDENT	PART NO.	DESCRIPTION	SOURCE OF SUPPLY
2	1		250559	RETAINING RING	4148 00 103
1	1			MALE SHIELD CONDUCTOR	4148 62 101

PARTS LIST					
DIMENSIONS ARE IN INCHES UNLESS OTHERWISE SPECIFIED.			CONTRACT NO.		
TOLERANCES ARE:			SIGNATURES DATE		
DEC. XX* N. A.	FRAC* N. A.	DR EH MARION	9/94		
.XXX* N. A.	ANG * N. A.	CHK H BURGERS	9/94		
REMOVE BURRS. BREAK SHARP EDGES			ENG		
MATERIAL			APPD H BURGERS 9/2/94		
N. A.			SIZE FSCM NO. DWG. NO.		
NEXT ASSY	USED ON	FINISH	C 1817 4148 62 000		
APPLICATION			SCALE: 8:1 41486200 10/3/95 SHEET 1 OF 1		

VIRGINIA PANEL CORP.

MALE MINI POWER ASSEMBLY
50 AMPS

SCALE: 8:1 41486200 10/3/95 SHEET 1 OF 1